

BE AG & INDUSTRIAL

TRAILER ACCESSORIES PG. 142-147



64.500.326

TJ-06-01KX

BOOSTER CABLES PG. 271



BE128BC

BE204BC

FARM TRACTOR SEATS PG. 25-28



SEA-LG6YBE

SEA-14010BE

CHAIN HARDWARE PG. 163-169



64.199.002

64.016.038

WHEELS PG. 189-193



51.500.058

51.450.016Y

CABLE TIES PG. 199



67.106.018B

67.106.018W

PRESEASON 2022

BRABEREQ.COM

PARTS@BRABEREQ.COM

*PRICING EXPIRES DECEMBER 31ST, 2021

PHONE: 604-850-7770

FAX: 604-850-7774

TOLL FREE PHONE: 1-877-588-3311

TOLL FREE FAX: 1-800-665-7334

TABLE OF CONTENTS

PAGE	SECTION	PAGE	SECTION
4-6	OVERSTOCK	137	DIESEL TRANSFER TANKS
7-13	PTO DRIVELINES & COMPONENTS	138-141	TRACTOR ATTACHMENTS
14-15	GEARBOXES	142-147	TRAILER ACCESSORIES
16-24	SEATS - AGRICULTURAL	148-156	TRAILER JACKS
25-28	SEATS - LAWN & GARDEN	157-161	CARGO CONTROL
29-32	SEATS - INDUSTRIAL	162	LOAD BINDERS
33-36	CULTIVATOR & PLOW PARTS	163-169	CHAIN HARDWARE
37-40	HAYING PARTS	170-175	SMALL HARDWARE
41-46	SICKLE GUARDS & ACCESSORIES	176-178	HYDRAULIC
47-63	TILLER BLADES & HAMMERS	179-180	TRACTOR ACCESSORIES
64-65	GARDEN HOSES & ACCESSORIES	181-188	GREASE GUNS & ACCESSORIES
66-80	SPRAYERS, PUMPS & ACCESSORIES	189-193	WHEEL ASSEMBLIES
81-88	GAUGES	194-195	SHOP SUPPLIES
89	FITTINGS & SWIVELS	196-198	SAFETY EQUIPMENT
90-92	NOZZLES	199	CABLE TIES
93-94	SPRAY WANDS & ACCESSORIES	200	SHOP EQUIPMENT
95	HOSE REELS	201-215	ASSORTED KITS
96-97	12V & ROLLER PUMPS	216-222	LED LIGHTS
98	FANS	223	FARM JACKS
99-107	POWER EQUIPMENT	224-254	3 POINT HITCH & LINKAGE
108	CAMLOCKS	255-265	POWER TRANSMISSION PRODUCTS
109-111	VALVES & ACCESSORIES	266-270	RANCH HARDWARE
112-121	LOG SPLITTERS	271	BOOSTER CABLES
122-127	GAS POWERED OUTDOOR ITEMS	272	JOB BOXES
128-136	LAWN & GARDEN	273-275	RETAIL DISPLAY BOARDS

OVERSTOCK!

SPECIAL PRICING WHILE QUANTITIES LAST

AIR COMPRESSOR JUMP STARTER

PART# 67.999.474



- 12V/24V
- 500A Cranking Amp/1200A Peak Amp
- 20Ah Sealed lead-acid battery
- Air compressor
- x 12V Power outlet
- Built in high brightness LED worklight
- On/Off Switch for safety
- Automatic circuit overload protection
- Reverse hook-up alarm and indication

- USB port



EURO TRACTOR ATTACHMENT WELD-ON MOUNTING BRACKETS

PART# WOKAO600



BOOSTER CABLES 12 FT / 8 GAUGE

PART# BE128BC



BOOSTER CABLES 12 FT / 6 GAUGE

PART# BE126BC



BOOSTER CABLES 12 FT / 4 GAUGE

PART# BE124BC



BOOSTER CABLES 15 FT / 1 GAUGE

HEAVY DUTY
PART# BE15BCCA1GA



30 FT / 1 GAUGE INDUSTRIAL DUTY

PART# BE30BCHDC1GA



SPECIAL PRICING WHILE QUANTITIES LAST

LOAD BINDERS

5/16" - 3/8" WLL 5400 LB
PART# 64.100.002



CABLE TYPE BINDER LOCK

PART# 64.100.104



GALVANIZED

AIRCRAFT CABLE
3/32" X 500' ROLL
PART# 64.424.999



RATCHET LOAD BINDER

5/16" - 3/8" WLL 5400LB
PART# 64.199.002



G70 CHAIN ASSEMBLIES

5/16" X 16' PART# 64.016.516

5/16" X 20' PART# 64.020.516

3/8" X 16' PART# 64.016.038

3/8" X 20' PART# 64.020.038



GRAB HOOK G70

3/8" PART# 64.100.010

5/16" PART# 64.100.011



10" PNEUMATIC UTILITY TIRE

5/8" BEARING ID FOR AXLE
PART# 51.500.058



10" PNEUMATIC UTILITY TIRE

3/4" BEARING ID FOR AXLE
PART# 51.500.034



LEATHER PALM GLOVES

SIZE - LARGE
PART# 67.999.100



LEVER ACTION GREASE GUN

DEVELOPS 10,000 PSI
PART# 67.211.000



HD LEVER ACTION GREASE GUN

DEVELOPS 10,000 PSI
PART# 67.111.110



12" GREASE GUN HOSE

PART# 67.000.027



18" GREASE GUN HOSE

PART# 67.000.028

OVERSTOCK!

SPECIAL PRICING WHILE QUANTITIES LAST

EYEWEAR
CLEAR LENS, CLEAR FRAME
20 PACK
PART# 1209C



EYEWEAR
MIRROR LENS, BLACK FRAME
20 PACK
PART# 1209B



EYEWEAR
MIRROR LENS, BLACK FRAME
20 PACK
PART# 1204M



200FT
HOSE REEL
PART# 85.410.020



HOSE REEL
WITH
NEW SPRING
LOCKING
MECHANISM



400FT
HOSE REEL
PART# 85.410.040



HOSE REEL
WITH
NEW SPRING
LOCKING
MECHANISM



WALTERSHEID TYPE WWE PTO (CV 1 END)
WWE W2480 TYPE WIDE ANGLE 80° 540 QD YOLKS
CV ASSY 1 SIDE. 64" OAL, COLLAPSED, 53HP
PART# 69.999.001



PTO PLAN-O-GRAM
PART# POP-PTO4



DESIGNED TO WORK WITH STANDARD LOZIER SHELVING UNITS
COLOR CODING AND ALPHABETICAL SYSTEM
SIMPLIFIES & MAKES PROGRAM
CONSUMER FRIENDLY

CONTACT US TODAY
FOR INFORMATION AND PRICING ON OUR
PTO PROGRAM.
RECEIVE THE MERCHANDISERS FREE WITH THE
PURCHASE OF THE COMPLETE PROGRAM.

PTO DISPLAY STAND
PART# 69.000.000



PTO - BOXED

PART#	DESCRIPTION	BEST USE	HP	SERIES
69.885.001	PTO, BY-PY #1 25" 540QDX2 C-C	FERTILIZER SPREADERS	16 HP	1
69.885.260	PTO, BY-PY#2 52" 540QDX1.25 C-C	POST HOLE DIGGERS	21 HP	2
69.885.049	PTO, #4 25" 540 X 1 3/8 RB C-C	ROTARY CUTTERS	35 HP	4
69.885.051	PTO, #4 52" 540 X 1 3/8 RB C-C	ROTARY CUTTERS	35 HP	4
69.885.004	PTO, BY-PY #4 34" 540QDX2 C-C	LIGHT DUTY MOWERS , TILLERS, ROTARY CUTTERS	35 HP	4
69.885.456	PTO, BY-PY #4 48" 540QDX2 C-C	LIGHT DUTY MOWERS , TILLERS, ROTARY CUTTERS	35 HP	4
69.885.005	PTO,#5 540 SB CLUTCH X 540 C-C	SNOWBLOWERS, TILLERS	47 HP	5
69.885.664	PTO, BY-PY#6 57" 540QDX2 C-C	FLAIL MOWERS	64 HP	6



PTOS - GENERAL PURPOSE

PART#	DESCRIPTION	BEST USE	HP	SERIES
69.888.001	BY-PY #1 540QD X 2 (34") C-C QD PIN	GENERAL PURPOSE	16 HP	1
69.888.002	BY-PY #2 540QD X 2 (34") C-C QD PIN	GENERAL PURPOSE	21 HP	2
69.888.006	BY-PY #6 540QD X 2 (34") C-C QD PIN	GENERAL PURPOSE	64 HP	6
69.575.356	BY-PY #6 540 X 1000 QTD (34") C-C QD PIN	GENERAL PURPOSE	64 HP	6
69.888.007	BY-PY #7 540QD X 2 (34") C-C QD PIN	GENERAL PURPOSE	75 HP	7
69.888.008	BY-PY #8 540QD X 2 (34") C-C QD PIN	GENERAL PURPOSE	95 HP	8



WALTERSCHEID TYPE CROSS KITS - BOXED

PART#	DESCRIPTION	SERIES
10-01-00	CROSS KIT, 22MM X 55MM, 16HP	W2100
21-00-00	CROSS KIT, 27MM X 74.6MM, 38HP	W2300
35-00-00	CROSS KIT, 32MM X 76MM, 53HP	W2400
36-00-00	CROSS KIT, 36MM X 89MM, 90HP	W2500



BY-PY TYPE CROSS KITS - BOXED

PART#	DESCRIPTION	SERIES
71201	CROSS KIT, 22MM X 54.8MM, 16 HP	1
71202	CROSS KIT, 23.8MM X 61.3MM, 21 HP	2
71203	CROSS KIT, 27MM X 70MM, 30 HP	3
71204	CROSS KIT, 27MM X 74.5MM, 35 HP	4
71205	CROSS KIT, 30.2MM X 80MM, 47 HP	5
71206	CROSS KIT, 30.2MM X 92MM, 64 HP	6
71207	CROSS KIT, 35MM X 94MM, 75 HP	7
71208	CROSS KIT, 35MM X 106.3MM, 95 HP	8



NORTH AMERICAN IMPERIAL CROSS KITS

PART#	DESCRIPTION	SERIES
200-06	CROSS KIT, .97" X 2.28", 20 HP	6N
200-12	CROSS KIT, 1.06" X 2.50", 30 HP	12N
200-14	CROSS KIT, 1.13" X 2.62", 50 HP	14N
200-35	CROSS KIT, 1.25" X 3.20", 80 HP	35N



YOKE

PART#	DESCRIPTION	SERIES
507010351P	YOKE, #1 1 3/8 6 QD PIN	1
507020351P	YOKE, #2 1 3/8 6 QD PIN	2
211029151	YOKE, #2 SHEARBOLT 1 1/4"	2
21-10-00P	YOKE, #4 1 3/8" 6SP QD PIN	4
21-24-151	YOKE, #4 1 3/8" 1/2" BOLT	4
507050351P	YOKE, #5 1 3/8" 6SP QD PIN	5
606505001	CLUTCH, #5 S/BOLT 1 3/8 6	5
22-10-00P	YOKE, #6 1 3/8" 6SP QD PIN	6



BY-PY STANDARD PTOS

PART#	DESCRIPTION	BEST USE	HP	SERIES
69.888.264	BY-PY #2 QD540 X 2 57" C-C	GENERAL PURPOSE	21 HP	2
69.888.464	BY-PY #4 QD540 X 2 52" C-C	GENERAL PURPOSE	35 HP	4



BY-PY RADIAL PTOS

PART#	DESCRIPTION	BEST USE	HP	SERIES
69.888.013HD	BY-PY #4 QD540 X RADIAL PIN CLUTCH 800NM 1500MM C-C	ROTARY RAKES	35 HP	4



BY-PY ROUND BORE SHEARBOLT PTOS

PART#	DESCRIPTION	BEST USE	HP	SERIES
69.888.049	BY-PY #4 QD540 X 1 3/8" RB 34" C-C 1/2" SHEAR BOLT	SMOOTH BORE ROTARY CUTTERS.	35 HP	4
69.777.053	BY-PY #4 QD540 X 1 1/4" RB 52" C-C 3/8" BOLT HOLE	POST HOLE AUGERS WITH 1 1/4" SHAFT.	35 HP	4
69.888.069	BY-PY #6 QD 540QD X 1 3/8 RB 1/2" BOLT HOLE 41" OAL	HD BRUSH CUTTERS. 6' TO 7'.	64 HP	6



BY-PY SHEARBOLT PTOS

PART#	DESCRIPTION	BEST USE	HP	SERIES
69.888.400	BY-PY #4 540QD X 2 34" C-C SHEAR BOLT CLUTCH 1700NM*	540 ROTARY CUTTERS LIGHT TILLERS.	35 HP	4
69.750.006	BY-PY #6 540 SB SHEAR BOLT CLUTCH 41" OAL	540 BRUSH CUTTERS MED TILLERS	64 HP	6
69.888.046	BY-PY #8 540QD X SB TORQUE LIMIT SHEAR BOLT CLUTCH 34" C-C	MED/HD TILLERS & SNOW BLOWERS	95 HP	8



BY-PY OVERRUNNING PTOS

PART#	DESCRIPTION	BEST USE	HP	SERIES
69.888.011	BY-PY #5 34" C-C 540 X OVR OVER RUNNING CLUTCH	ROTARY RAKES	47 HP	5



WALTERSHEID TYPE STANDARD PTOS

PART#	DESCRIPTION
69.000.010	W2500 SERIES 44" 540 QD X 2 90HP HD STAR SHAFTING
69.000.018	W2500 1500MM EXTRA LONG NO END YOLKS, 66" OAL

OAL = OVERALL LENGTH COLLAPSED
C-C = INNER CROSS TO INNER CROSS LENGTH COLLAPSED

REPLACEMENT
END YOKES
AVAILABLE





WALTERSHEID TYPE WWE PTOS (CV 1 END)

PART#	DESCRIPTION
69.000.035	WWE 2380 WIDE ANGLE 80° 540 RPM ONE END 34" C-C 38 HP
69.000.042	WWE 2580 WIDE ANGLE 80° 540 QD BOTH ENDS 90HP 34" C-C
69.000.033	WWE 2580 WIDE ANGLE 80° 1-3/4 20 SPLINE BOTH ENDS 540 QD BOTH ENDS 90HP 48" C-C
69.999.001	WWE W2480 TYPE WIDE ANGLE 80° 540 QD YOLKS CV ASSY 1 SIDE. 64" OAL COLLAPSED 53HP



WALTERSHEID TYPE WWZ PTOS (CV BOTH ENDS)

PART#	DESCRIPTION
69.000.034	WWZ 2380 WIDE ANGLE 80° BOTH ENDS 34" C-C 38HP 540 GENERAL PURPOSE DOUBLE CV
69.999.002	WWZ W2480 TYPE WIDE ANGLE 80° 540 QD YOKES, CV ASSY BOTH SIDES, 44" OAL COLLAPSED, 53HP



WALTERSHEID TYPE SLIP & CAM CLUTCH PTOS

PART#	DESCRIPTION
69.000.047	W2500 860MM 1 3/8 6 W/4 PLATE FRICTION DISC CLUTCH, 44" OAL



PTOS - SPECIALTY APPLICATIONS

PART#	DESCRIPTION	BEST USE	HP
69.777.260	BY-PY #2 QD540 X 1 1/4" RB 52" C-C	POST HOLE AUGERS	21 HP
69.777.550	BY-PY #5 540QD X 4 PLATE 540 HD 42" OAL	540 BRUSH CUTTERS TILLERS	47HP



COMPLETE SLIP CLUTCH & PTO!
SEE BELOW FOR DETAILS

ADJ FRICTION DISC CLUTCH

PTOS - SPECIALTY APPLICATIONS

PART#	DESCRIPTION	BEST USE	HP
69.777.039	BY-PY #6 540QD X 2 40" OAL 2 PLATE ADJ SLIP CLUTCH	540 MEDIUM TILLERS. 2PLATE	64 HP
69.888.040	BY-PY #6 540QD X 2 42" OAL 4 PLATE ADJ SLIP CLUTCH	540 MEDIUM DUTY TILLERS.	64 HP

OAL = OVERALL LENGTH COLLAPSED
C-C = INNER CROSS TO INNER CROSS LENGTH COLLAPSED

SLIP CLUTCHES

UNIVERSAL 2 PLATE SLIP CLUTCH
 1-3/8" 540 MALE - 1-3/8", 540 FEMALE
 PART# 69.000.100



UNIVERSAL 2 PLATE SLIP CLUTCH
 1-3/8" RB FEMALE - 1-3/8", RB MALE
 PART# 69.000.101



UNIVERSAL 2 PLATE SLIP CLUTCH
 1-3/8" RB FEMALE - 1-3/8" 540 MALE
 PART# 69.000.102



BE REPLACEMENT PTO SHIELDS ASSEMBLIES

NEW STYLE

69.888.996	SERIES 1-4
69.888.997	SERIES 5-8



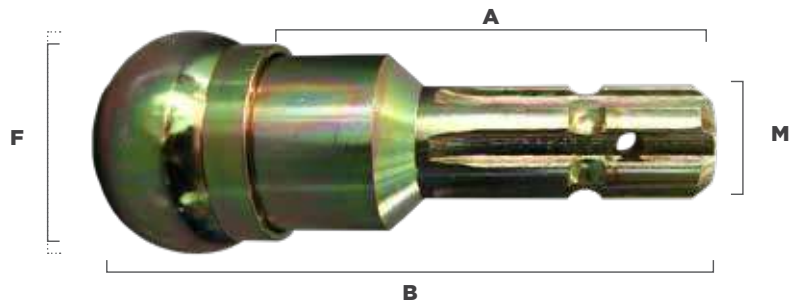
**PTO SHIELDS
 COME COMPLETE WITH
 INNER AND OUTER
 SHIELDINGS, BELL
 CONES, ALL BRG'S AND
 SAFETY CHAIN**

**540 MALE
 INTERMEDIATE SHAFT**
 540 X 540 HARDENED ENDS
 PART# 90.100.995



PTO ADAPTER

1-3/8" FEMALE - 1-3/8" X 6 MALE
 PART# 500PA

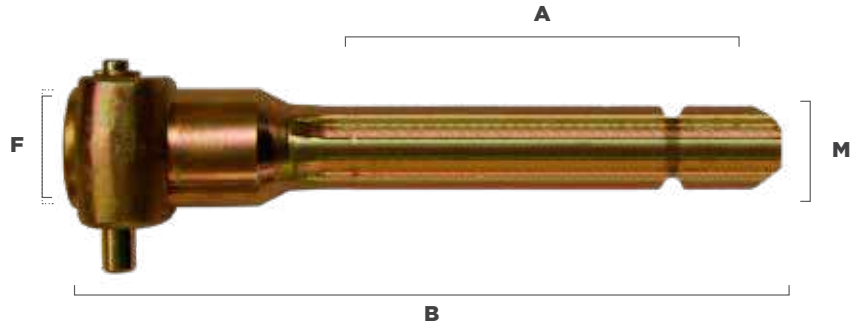


PTO ADAPTERS

PART#	REPLACEMENT PIN	A INCREASE SHAFT LENGTH	B OVERALL LENGTH	M SPLINE MALE	F QD SPLINE FEMALE
500PA	500P	4-1/8"	6-1/2"	1-3/8" X 6	1-3/8" X 6
501PA	500P	4-1/8"	6-1/2"	1-3/8" X 6	1-3/8" X 21
502PA	500P	4-1/8"	6-1/2"	1-3/8" X 21	1-3/8" X 6
503PA	500P	4-1/8"	6-1/2"	1-3/8" X 21	1-3/8" X 21

PTO EXTENDER

1-3/8" FEMALE QUICK DISCONNECT - 1-3/8" X 6 SPLINE
PART# 508PA

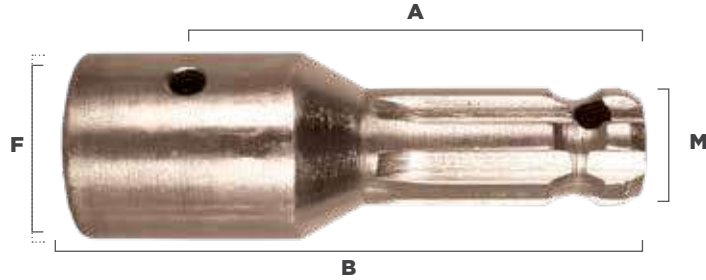


PTO EXTENDER

PART#	A INCREASE SHAFT LENGTH	B OVERALL LENGTH	M SPLINE MALE	F QD SPLINE FEMALE
508PA	8"	11-1/4"	1-3/8" X 6	1-3/8" X 6

PTO ADAPTER

1-3/8" FEMALE - 1-1/8" X 6 MALE
PART# 550PA

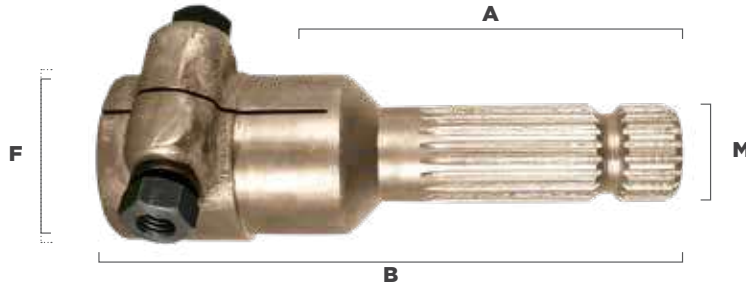


PTO ADAPTERS

PART#	ROLL PIN	A INCREASE SHAFT LENGTH	B OVERALL LENGTH	M SPLINE MALE	F QD SPLINE FEMALE
550PA	11/32	2-1/2"	5-3/8"	1-1/8" X 6	1-3/8" X 6
551PA	11/32	2-1/2"	4-3/4"	1-3/8" X 6	1-1/8" X 6
552PA	11/32	2-1/8"	3-3/16"	1-3/8" X 6	1-1/8" X 6
553PA	11/32	4"	5-3/4"	1-3/8" X 6	1-3/8" X 6
555PA	11/32	3-7/8"	4-13/16"	1-3/8" X 6	30 MM ROUND (SMOOTH)

PTO ADAPTER

1-3/4" X 20 FEMALE - 1-3/8" X 21 MALE
PART# 580PA



PTO ADAPTERS

PART#	TYPE	A INCREASE SHAFT LENGTH	B OVERALL LENGTH	M SPLINE MALE	F SPLINE FEMALE
580PA	CLAMP ON	5-1/2"	7-1/8"	1-3/8" X 21	1-3/4" X 20
581PA	CLAMP ON	5-1/2"	7-1/8"	1-3/8" X 6	1-3/4" X 20

PTO ADAPTERS

OVERRUNNING CLUTCH

1-3/8M X 1-1/8F

PART# 585PA



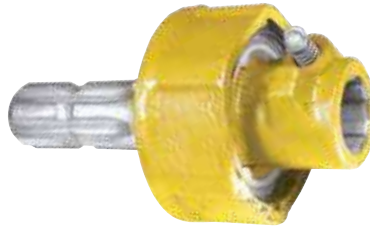
1-3/8M X 1-3/8F

PART# 586PA

PTO OVERRUNNING CLUTCH

540 X 540

PART# 587PA



REDUCING INSERT

1 3/8 - 1 1/8 LONG

PART# 600PA



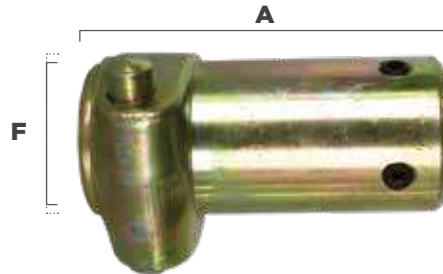
1 3/8 - 1 1/8 SHORT

PART# 601PA

PTO ADAPTER

1-3/8" X 5/8" 6 SPLINE FEMALE

PART# 602PA



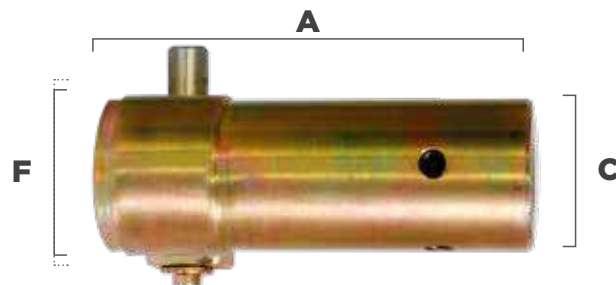
PTO ADAPTERS

PART#	KEY	REPLACEMENT PIN	A	F FEMALE
602PA	3/16"	610PA	4-11/32"	1-3/8" X 5/8" 6 SPLINE
603PA	3/16"	610PA	4-11/32"	1-3/8" X 3/4" 6 SPLINE
604PA	3/16"	610PA	4-11/32"	1-3/8" X 7/8" 6 SPLINE
605PA	1/4"	610PA	4-11/32"	1-3/8" X 15/16" 6 SPLINE
606PA	1/4"	610PA	4-11/32"	1-3/8" X 1" 6 SPLINE
607PA	1/4"	610PA	4-11/32"	1-3/8" X 1-1/8" 6 SPLINE

PTO ADAPTER

1-3/8" X 6 SPLINE FEMALE - 7/8" MALE

PART# PD-225



PTO ADAPTER

PART#	KEY	A OVERALL LENGTH	M SPLINE MALE	F SPLINE FEMALE
PD-225	1/4"	5-1/8"	7/8"	1-3/8" X 6

ROTARY CUTTER GEARBOX

PART# RC25.4G

MACHINE TYPE	4FT ROTARY CUTTER SQUARE BODY	OUTPUT SHAFT (#1) SIZE	1-1/2"
HP RATING	50HP	OUTPUT SHAFT (#1) TYPE	12 SPLINE
GEAR RATIO	1:1.93	OUTPUT SHAFT (#2) SIZE	N/A
INPUT SHAFT SIZE	1-3/8"	OUTPUT SHAFT (#2) TYPE	N/A
INPUT SHAFT TYPE	ROUND	MOUNTING PATTERN	4 BOLT PATTERN (5/8"), 4-3/4" SPACING



ROTARY CUTTER GEARBOX

PART# RC25.4G-RB

MACHINE TYPE	4FT ROTARY CUTTER ROUND BODY	OUTPUT SHAFT (#1) SIZE	1-1/2"
HP RATING	50HP	OUTPUT SHAFT (#1) TYPE	12 SPLINE
GEAR RATIO	1:1.93	OUTPUT SHAFT (#2) SIZE	N/A
INPUT SHAFT SIZE	1-3/8"	OUTPUT SHAFT (#2) TYPE	N/A
INPUT SHAFT TYPE	ROUND	MOUNTING PATTERN	4 BOLT PATTERN (5/8"), 4-3/4" SPACING



ROTARY CUTTER GEARBOX

PART# RC25.5G

MACHINE TYPE	5-6FT ROTARY CUTTER SQUARE BODY	OUTPUT SHAFT (#1) SIZE	1-1/2"
HP RATING	50 HP	OUTPUT SHAFT (#1) TYPE	12 SPLINE
GEAR RATIO	1:1.46	OUTPUT SHAFT (#2) SIZE	N/A
INPUT SHAFT SIZE	1-3/8"	OUTPUT SHAFT (#2) TYPE	N/A
INPUT SHAFT TYPE	ROUND	MOUNTING PATTERN	4 BOLT PATTERN (3/4"), 4-3/4" SPACING



ROTARY CUTTER GEARBOX

PART# RC25.5G-RB

MACHINE TYPE	5-6 FT ROTARY CUTTER ROUND BODY	OUTPUT SHAFT (#1) SIZE	1-1/2"
HP RATING	50HP	OUTPUT SHAFT (#1) TYPE	12 SPLINE
GEAR RATIO	1:1.46	OUTPUT SHAFT (#2) SIZE	N/A
INPUT SHAFT SIZE	1-3/8"	OUTPUT SHAFT (#2) TYPE	N/A
INPUT SHAFT TYPE	ROUND	MOUNTING PATTERN	4 BOLT PATTERN (3/4"), 4-3/4" SPACING



ROTARY CUTTER GEARBOX

PART# RC25.5.540G

MACHINE TYPE	5-6FT ROTARY CUTTER SQUARE BODY	OUTPUT SHAFT (#1) SIZE	1-1/2"
HP RATING	50 HP	OUTPUT SHAFT (#1) TYPE	12 SPLINE
GEAR RATIO	1:1.46	OUTPUT SHAFT (#2) SIZE	N/A
INPUT SHAFT SIZE	1-3/8"	OUTPUT SHAFT (#2) TYPE	N/A
INPUT SHAFT TYPE	6 SPLINE	MOUNTING PATTERN	4 BOLT PATTERN (3/4"), 4-3/4" SPACING



ROTARY CUTTER GEARBOX

PART# RC25.5.540G-RB

MACHINE TYPE	5-6 FT ROTARY CUTTER ROUND BODY	OUTPUT SHAFT (#1) SIZE	1-1/2"
HP RATING	50HP	OUTPUT SHAFT (#1) TYPE	12 SPLINE
GEAR RATIO	1:1.46	OUTPUT SHAFT (#2) SIZE	N/A
INPUT SHAFT SIZE	1-3/8"	OUTPUT SHAFT (#2) TYPE	N/A
INPUT SHAFT TYPE	6 SPLINE	MOUNTING PATTERN	4 BOLT PATTERN (3/4"), 4-3/4" SPACING



HEAVY DUTY ROTARY CUTTER GEARBOX

PART# RC25.6HDG

MACHINE TYPE	6FT HEAVY DUTY ROTARY CUTTER	OUTPUT SHAFT (#1) SIZE	2"
HP RATING	70 HP	OUTPUT SHAFT (#1) TYPE	15 SPLINE
GEAR RATIO	1:1.46	OUTPUT SHAFT (#2) SIZE	N/A
INPUT SHAFT SIZE	1-3/8"	OUTPUT SHAFT (#2) TYPE	N/A
INPUT SHAFT TYPE	6 SPLINE	MOUNTING PATTERN	4 BOLT PATTERN(1"), 6" SPACING



POST HOLE DIGGER GEARBOX

PART# PHDG4

MACHINE TYPE	POST HOLE DIGGER	OUTPUT SHAFT (#1) SIZE	2"
HP RATING	40 HP	OUTPUT SHAFT (#1) TYPE	ROUND
GEAR RATIO	2.92:1	OUTPUT SHAFT (#2) SIZE	N/A
INPUT SHAFT SIZE	1-1/4"	OUTPUT SHAFT (#2) TYPE	N/A
INPUT SHAFT TYPE	ROUND	MOUNTING PATTERN	STEPPED PIN 7/8" X 3/4" X 7"



FERTILIZER SPREADER GEARBOX

PART# PFS45G

MACHINE TYPE	FERTILIZER SPREADER (SPIN TYPE)	OUTPUT SHAFT (#1) SIZE	1"
HP RATING	40HP	OUTPUT SHAFT (#1) TYPE	ROUND
GEAR RATIO	1:1	OUTPUT SHAFT (#2) SIZE	N/A
INPUT SHAFT SIZE	1-3/8"	OUTPUT SHAFT (#2) TYPE	N/A
INPUT SHAFT TYPE	6 SPLINE	MOUNTING PATTERN	2 BOLT PATTERN (10MM), 80MM SPACING



FERTILIZER SPREADER GEARBOX

PART# PFS45G-L

MACHINE TYPE	FERTILIZER SPREADER (SPIN TYPE)	OUTPUT SHAFT (#1) SIZE	1"
HP RATING	40HP	OUTPUT SHAFT (#1) TYPE	ROUND
GEAR RATIO	1:1	OUTPUT SHAFT (#2) SIZE	N/A
INPUT SHAFT SIZE	1-3/8"	OUTPUT SHAFT (#2) TYPE	N/A
INPUT SHAFT TYPE	6 SPLINE	MOUNTING PATTERN	2 BOLT PATTERN (10MM), 80MM SPACING



SNOWBLOWER GEARBOX

PART# SBSN57-2015G

MACHINE TYPE	SNOWBLOWER	OUTPUT SHAFT (#1) SIZE	1-1/4" (FAN)
HP RATING	53HP	OUTPUT SHAFT (#1) TYPE	ROUND (FAN)
GEAR RATIO	1:1.46	OUTPUT SHAFT (#2) SIZE	1.24" (AUGER)
INPUT SHAFT SIZE	1-3/8"	OUTPUT SHAFT (#2) TYPE	19 SPLINE (AUGER)
INPUT SHAFT TYPE	6 SPLINE	MOUNTING PATTERN	4 BOLT PATTERN (7/16"), 4-1/4" SPACING

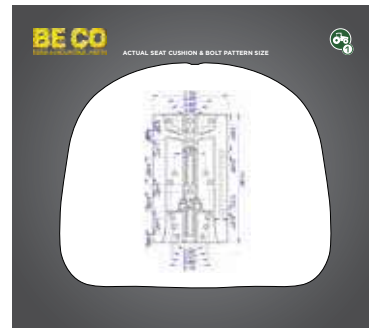


ALL BECO TRACTOR SEATS COME FULLY PACKAGED IN HIGH QUALITY RETAIL BOXES



EXTRA THICK CARDBOARD FOR A DURABLE, LONG LASTING BOX

COLOR & NUMBERING SYSTEM TO MAKE FINDING THE RIGHT SEAT EASY

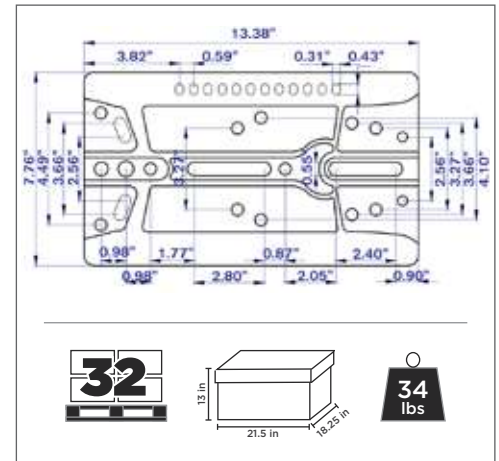


ACTUAL SIZE SEAT CUSHION & DETAILED BOLT PATTERN ON THE LID OF THE BOX



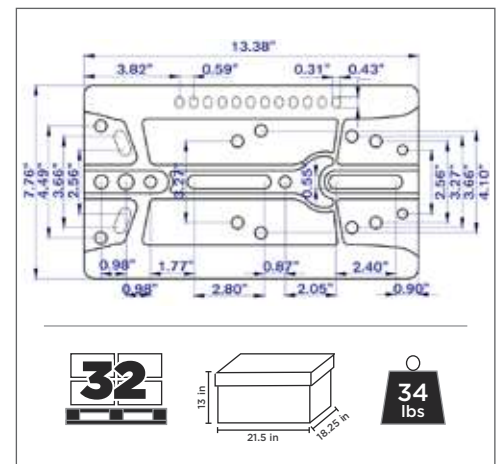
UNIVERSAL SUSPENSION SEAT SEA-300RMBE

- Leatherette upholstery
- Steel frame
- Molded cushion
- Adjustable with 5 mounting angles
- Fore/aft adjustment
- Weight adjustable suspension
- Includes mounting plate
- Includes slide track
- Black



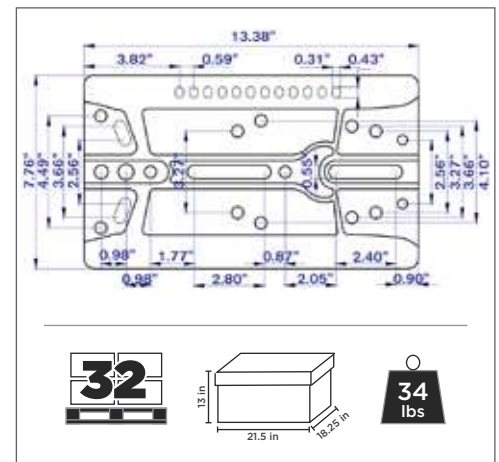
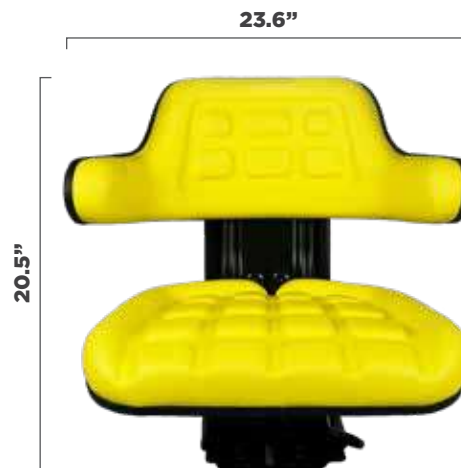
UNIVERSAL SUSPENSION SEAT SEA-300RMBLUBE

- Leatherette upholstery
- Steel frame
- Molded cushion
- Adjustable with 5 mounting angles
- Fore/aft adjustment
- Weight adjustable suspension
- Includes mounting plate
- Includes slide track
- Blue



UNIVERSAL SUSPENSION SEAT SEA-300RMYEBE

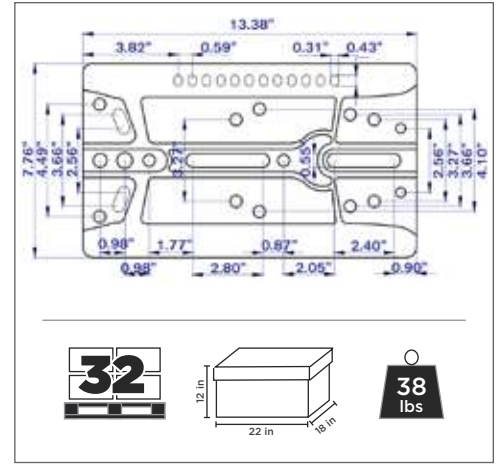
- Leatherette upholstery
- Steel frame
- Molded cushion
- Adjustable with 5 mounting Angles
- Fore/aft adjustment
- Weight adjustable suspension
- Includes mounting plate
- Includes slide track
- Yellow



UNIVERSAL SUSPENSION SEAT

SEA-ECO2100BE

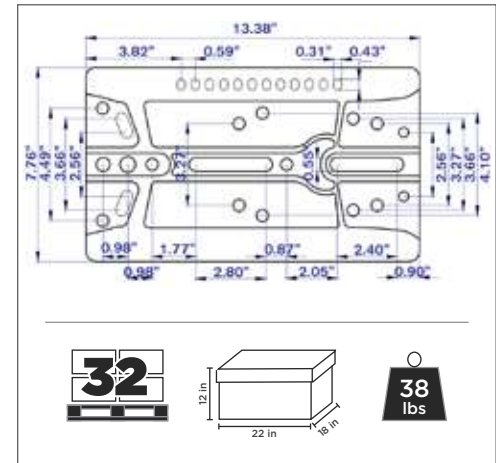
- Leatherette upholstery
- Steel frame
- Heavy duty vinyl cover
- Molded cushion
- Adjustable base with 5 mounting angles
- Fore/aft adjustable
- Weight adjustable suspension
- Includes mounting plate
- Includes slide track
- Black



UNIVERSAL SUSPENSION SEAT

SEA-ECO2100BLUBE

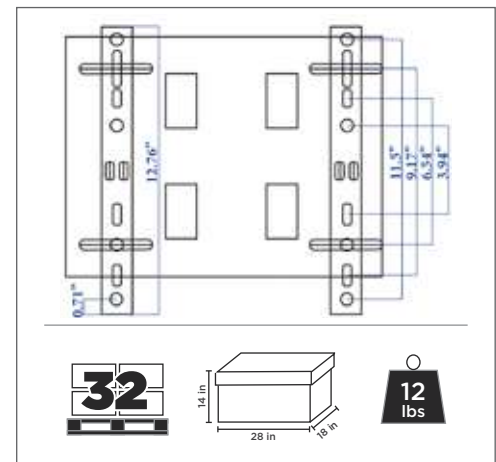
- Leatherette upholstery
- Steel frame
- Heavy duty vinyl cover
- Molded cushion
- Adjustable base with 5 mounting angles
- Fore/aft adjustable
- Weight adjustable suspension
- Includes mounting plate
- Includes slide track
- Blue



UNIVERSAL SEAT WITH SLIDE RAILS

SEA-50800BE

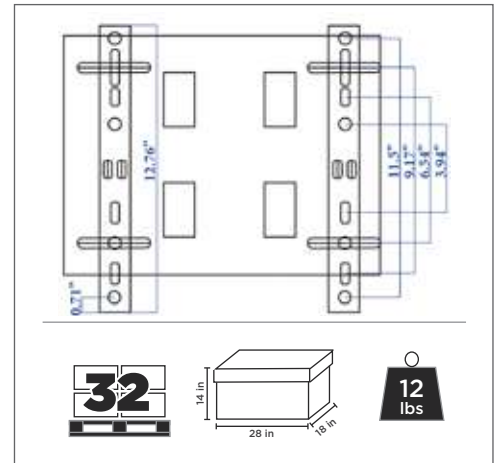
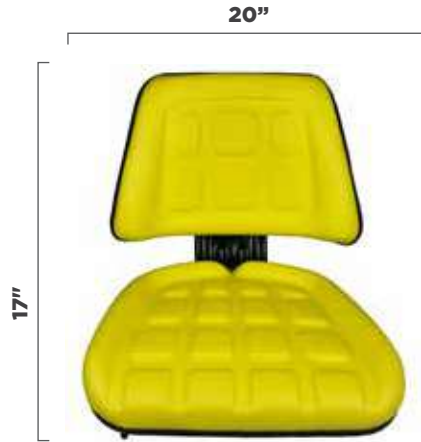
- Leatherette Upholstery
- Steel frame
- Heavy duty vinyl cover
- Molded cushion
- Adjustable slides
- Black



UNIVERSAL SUSPENSION SEAT

SEA-50800YBE

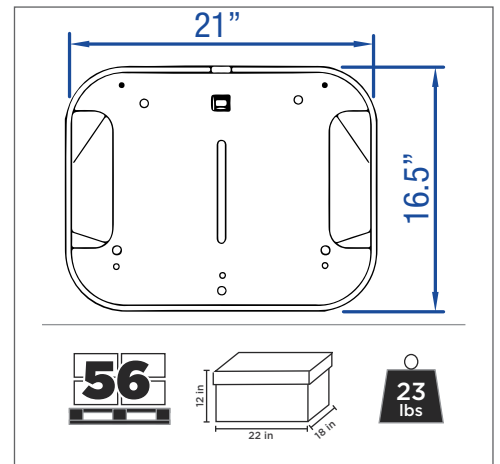
- Leatherette Upholstery
- Steel frame
- Heavy duty vinyl cover
- Molded cushion
- Adjustable slides
- Yellow



UNIVERSAL SUSPENSION SEAT

SEA-IH6012BE

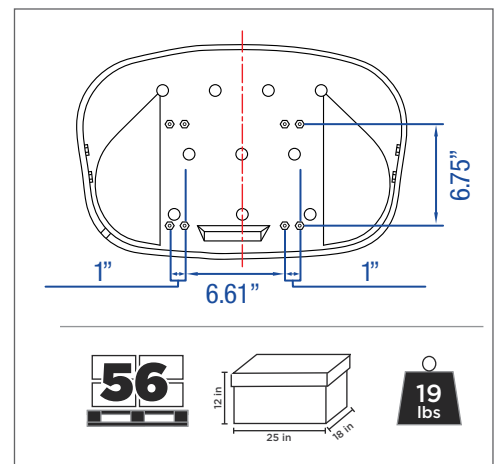
- High density foam
- Heavy duty vinyl cover
- 3 piece molded cushion set
- Steel back
- Does not included mounting hardware
- • Waterproof
- Includes drain holes
- See SEA-JZS561 for hardware
- Black & White



3 PIECE CUSHION SET

SEA-JD0550YE

- High density foam
- Heavy duty vinyl cover
- 3 piece molded cushion set
- Does not include mounting hardware
- See SEA-JZS551 for hardware
- Yellow



MOUNTING HARDWARE

SEA-JZS561

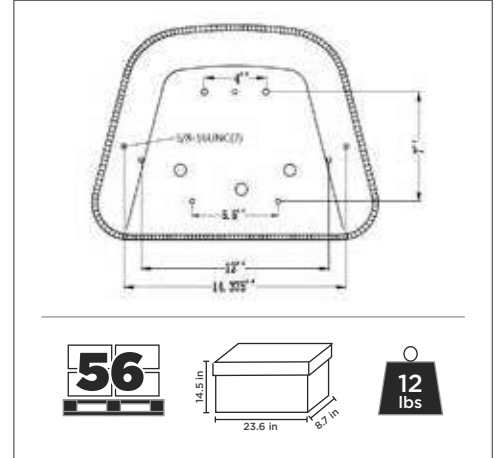
- Mounting Hardware
- For IH Black White Cushion Set See SEA-IH6012BE



2 PIECE CUSHION SET

SEA-JD5550YE

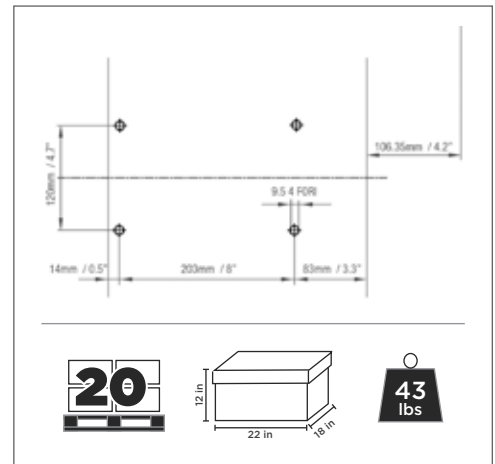
- High density foam
- Heavy duty vinyl cover
- 2 piece molded cushion set
- Steel back
- Waterproof
- Yellow



NARROW DELUXE SUSPENSION SEAT

SEA-COM2210

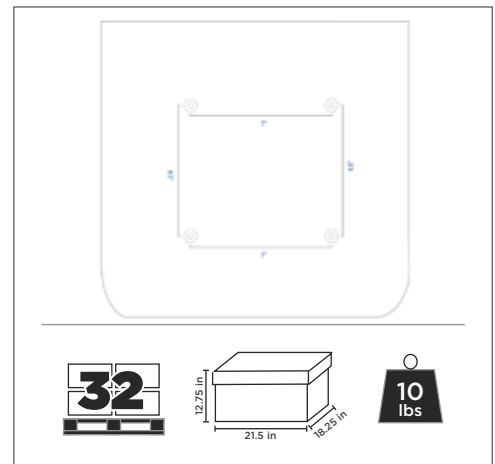
- Leatherette Upholstery
- Fore/aft Adjustment
- Weight Adjustable Suspension
- Narrow
- Black



UNIVERSAL NARROW SEAT

SEA-11NBE

- Leatherette upholstery
- Vinyl covered molded cushion
- Fore/aft adjustable
- Non-suspension
- Waterproof
- Includes drain holes
- Black



FLIP-UP BRACKETS

SEA-94000BE

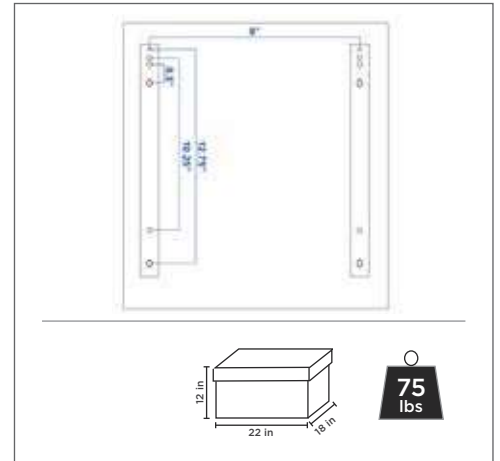
- Mounting Hardware
- For 11NBEX Cushion Set See SEA-11NBE



ECONOMY CAB SUSPENSION SEAT

SEA-SC253000

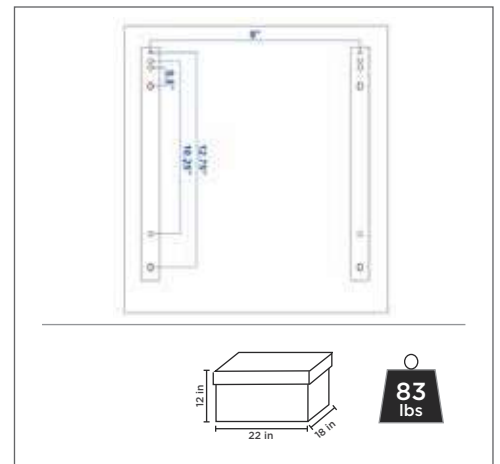
- Premium black cloth
- Fore/aft adjustable
- Mechanical suspension
- Adjustable arm & head rests
- Includes seat belt
- Black



DELUXE CAB SUSPENSION SEAT

SEA-18DCSBE

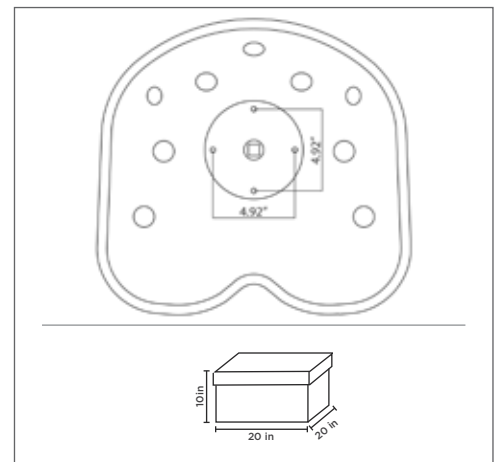
- Premium cloth
- Fore/aft adjustment
- Air suspension
- Adjustable arm & head rests
- Includes seat belt
- Grey



BLACK PAN SEAT

SEA-138BE

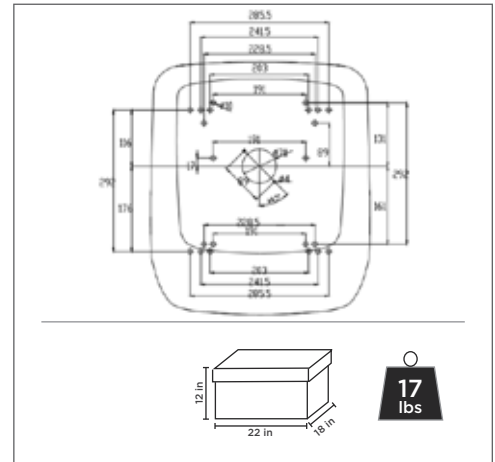
- Steel pan seat
- Includes hardware
- Black



CONTOURED DELUXE SEAT

SEA-450BE

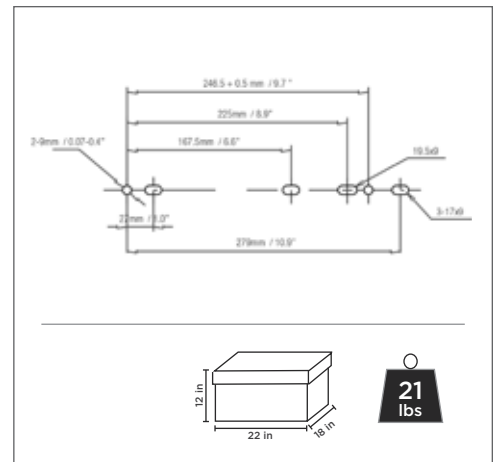
- Waterproof
- Includes drain holes
- Heavy duty slides
- Black



UNIVERSAL NON SUSPENSION SEAT

SEA-508BE

- Leatherette upholstery
- Non-suspension
- Includes slide track
- Black



SEAT COVERS



SEA-50500BE

- 1 Piece Cushion
- Black



SEA-50300BE

- 1 piece cushion
- Piece Cushion
- Red & White



SEA-50100BE

- 1 Piece Cushion
- Grey



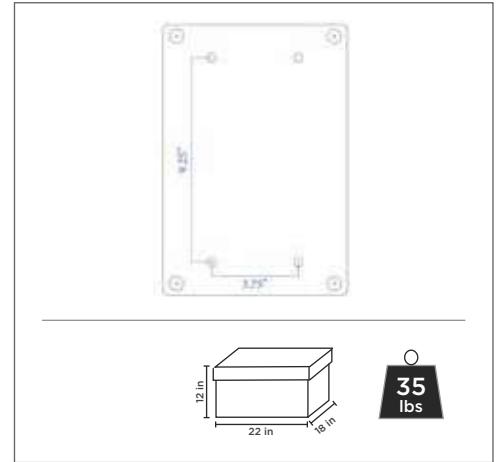
SEA-50200BE

- 1 Piece Cushion
- Grey
- Heavy Duty

BLACK UNIVERSAL SUSPENSION SEAT

SEA-12USSBE

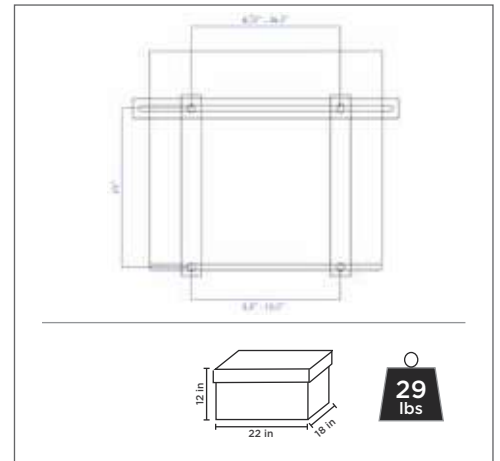
- Leatherette upholstery
- Fore/aft adjustment
- Weight adjustable suspension
- Black



UNIVERSAL SLIDE SEAT

SEA-8WSBE

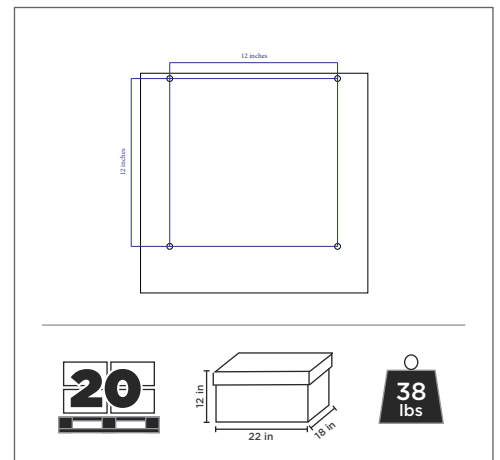
- PVC cover
- Non-suspension
- Includes slide track



GREY/BLACK SLIDE SEAT

SEA-23UGBE

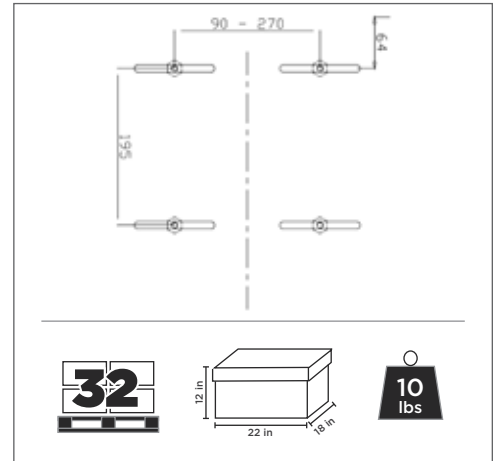
- PVC cover
- Grey plastic back
- Fore/aft adjustable
- Adjustable arm rests
- Document pocket in seat back
- Black



UNIVERSAL NARROW SEAT

CMP3100

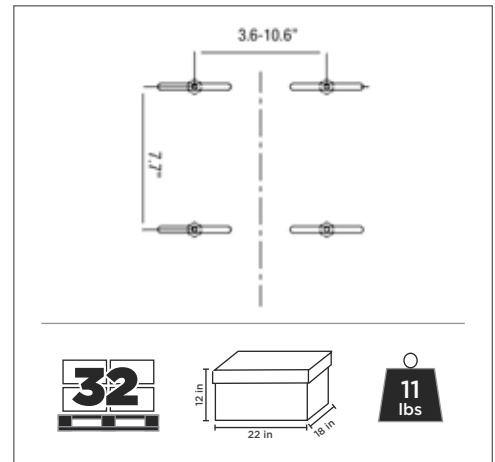
- Steel back
- Narrow
- Black



UNIVERSAL WIDE SEAT

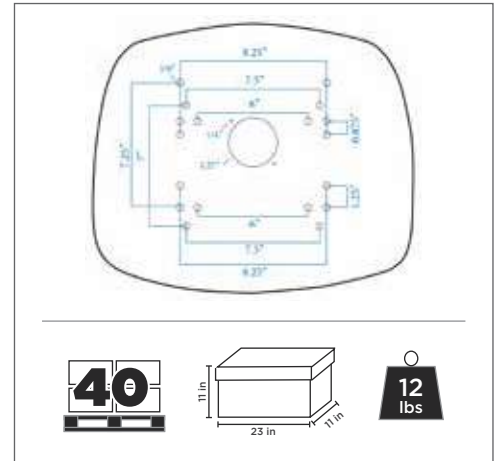
CMP6100

- Steel back
- Non-adjustable
- Wide
- Black



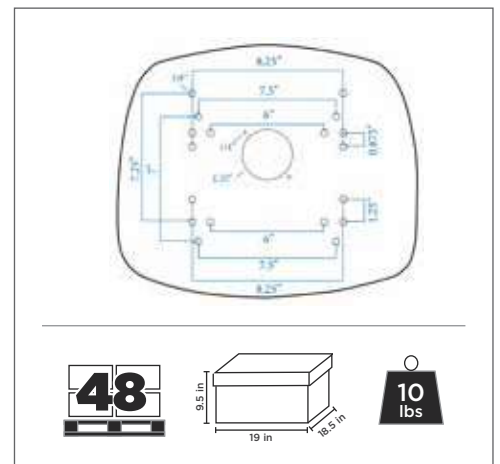
BLACK UNIVERSAL WIDE SEAT SEA-LG6LBE

- Heavy duty vinyl
- Steel pan frame
- Waterproof
- Black



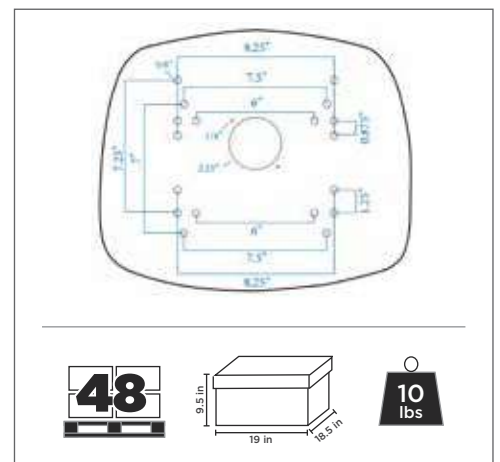
BLACK UNIVERSAL SEAT SEA-LG6BE

- Heavy duty vinyl
- Steel pan frame
- Waterproof
- Black



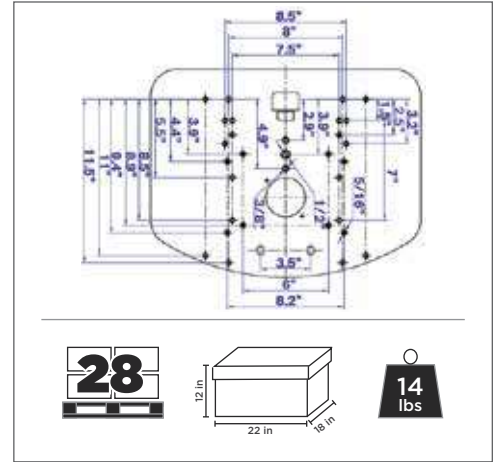
YELLOW UNIVERSAL SEAT SEA-LG6YBE

- Heavy duty vinyl
- Steel pan frame
- Waterproof
- Yellow



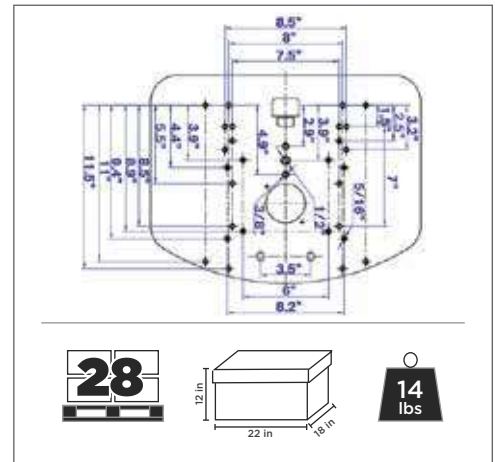
DELUXE HIGH STEEL BACK SEAT
SEA-135BE

- High density foam
- High steel back
- Universal mount
- Waterproof
- Extended back rest
- Black



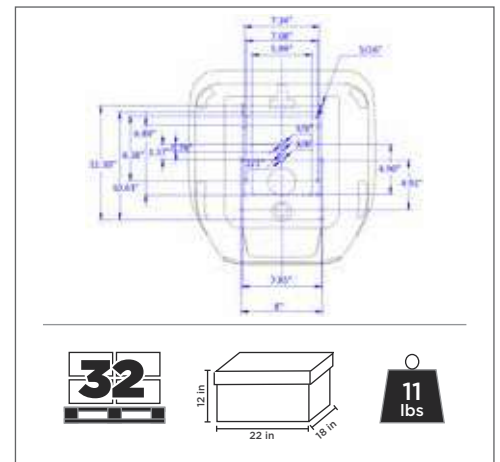
DELUXE HIGH STEEL BACK SEAT
SEA-135YBE

- High density foam
- High steel back
- Universal mount
- Waterproof
- Extended back rest
- Yellow



HIGH BACK COMPACT SEAT
SEA-800007

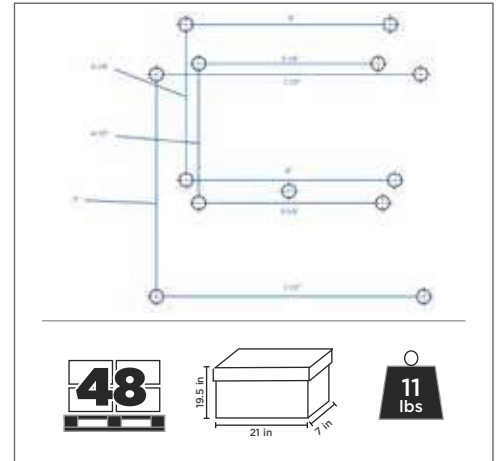
- Heavy duty vinyl
- Molded frame
- Universal mount
- Waterproof
- Black



LOW BACK SEAT

SEA-INI054

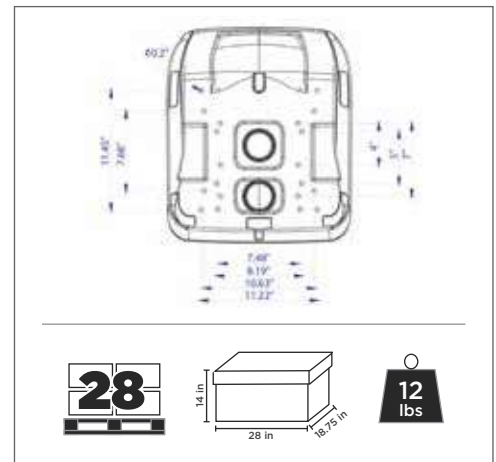
- Heavy duty vinyl
- Steel frame
- Deluxe cushion
- Low back
- Universal mount
- Waterproof
- Includes drain holes
- Black



DELUXE ULTRA HIGH BACK SEAT

SEA-14010BE

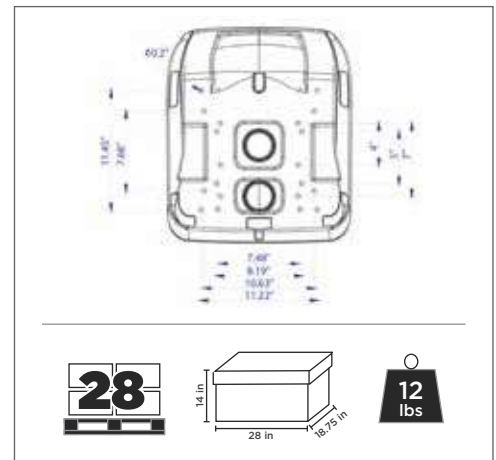
- Integral polyurethane
- Heavy duty cover
- Includes flip brackets
- Waterproof
- Includes drain holes
- Includes slide track
- Accepts operator presence switch
- Black



DELUXE ULTRA HIGH BACK SEAT

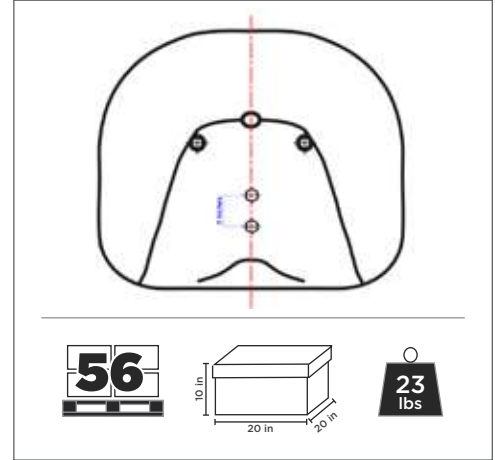
SEA-14010YBE

- Integral polyurethane
- Heavy duty cover
- Includes flip brackets
- Waterproof
- Includes drain holes
- Includes slide track
- Accepts operator presence switch
- Yellow



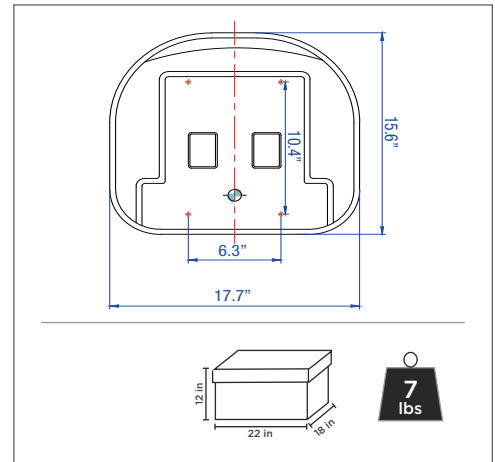
PADDED PAN SEAT
SEA-100BE

- Heavy duty vinyl
- Steel pan frame
- Universal mount
- Waterproof
- Includes drain holes
- Black



LOW BACK PAN SEAT
SEA-7PNBE

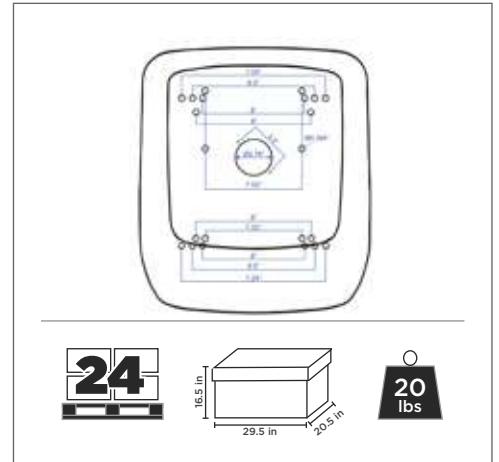
- Steel pan frame
- Waterproof
- Includes drain holes
- Black



CONTOURED HIGH BACK SEAT

SEA-450SBE

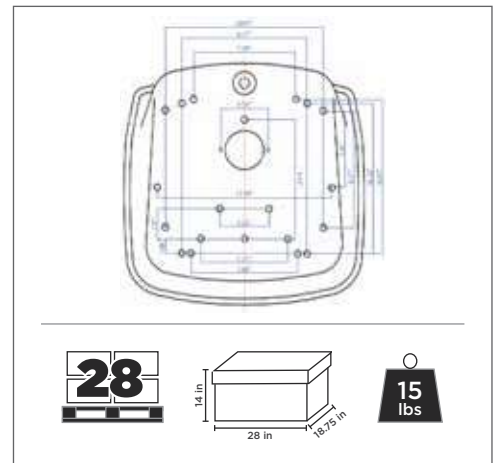
- Waterproof
- Includes drain holes
- Heavy duty slides
- Black



HIGH BACK COMPACT SEAT

SEA-53000BE

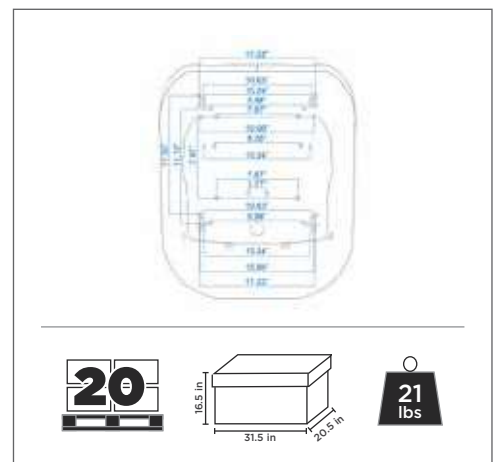
- Steel pan frame
- Heavy duty vinyl cover
- Includes drain holes
- Includes slide track
- Accepts operator presence switch



UNIVERSAL SKID STEER SEAT

SEA-46000BE

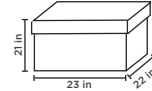
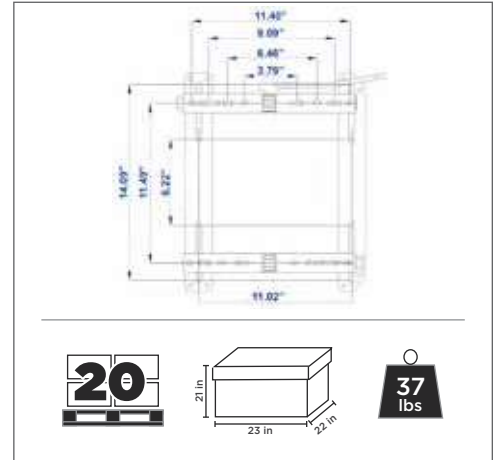
- Heavy duty vinyl
- Steel pan frame
- Waterproof
- Includes drain holes
- Heavy duty slides with studs
- Accepts operator presence switch



PREMIUM HIGH BACK SEAT

SEA-44002BE

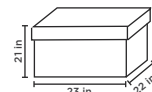
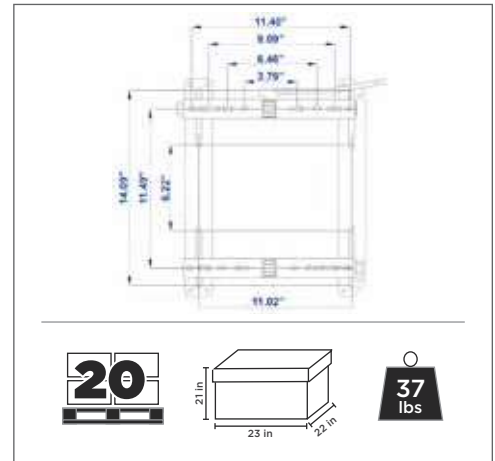
- Heavy duty vinyl
- 3 position lumbar support
- Adjustable arm rests
- Folding seat back
- Adjustable slides
- Document pocket in seat back



PREMIUM HIGH BACK SEAT

SEA-44000BE

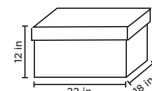
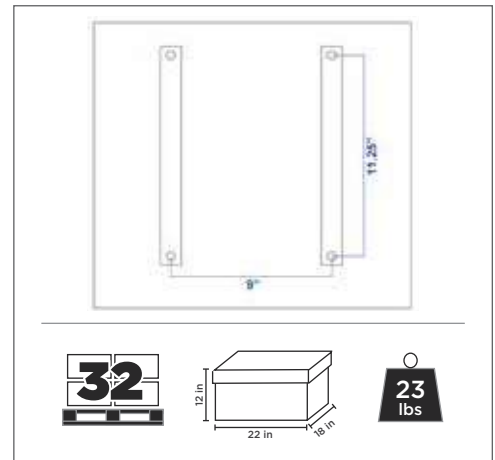
- 2 piece cushion set
- Folding seat back
- 3 position lumbar support
- Adjustable arm and back rests
- Water resistant
- Adjustable slides
- Document pocket in seat back
- Black



CONTOURED HIGH BACK SEAT

SEA-300INDBE

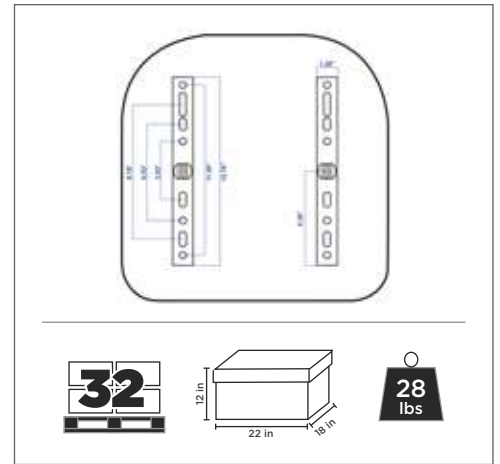
- Leatherette upholstery
- High density foam cushion
- Non-folding seat back
- Fore/aft adjustable
- Operator presence switch
- Black



DELUXE FOLD DOWN BACK SEAT

SEA-35500BE

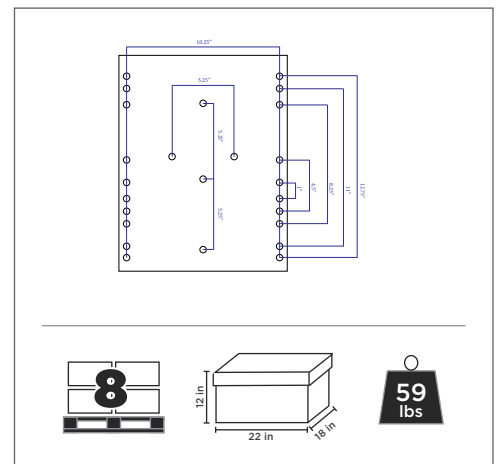
- Leatherette upholstery
- Steel frame with trimmed edges
- Heavy duty vinyl cover
- Molded cushion
- Folding seat back
- Fore/aft adjustable
- Adjustable arm rests
- Includes slide track
- Black



UNIVERSAL INDUSTRIAL SUSPENSION SEAT

SEA-SU35500BE

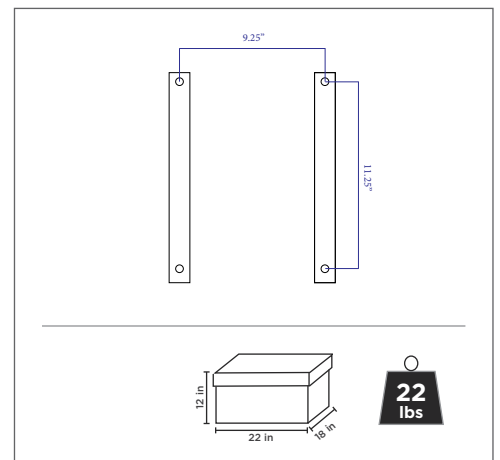
- Leatherette upholstery
- Folding seat back
- Fore/aft adjustable
- Weight adjustable suspension
- Black



INDUSTRIAL UNIVERSAL SLIDE SEAT

SEA-MUL002BE

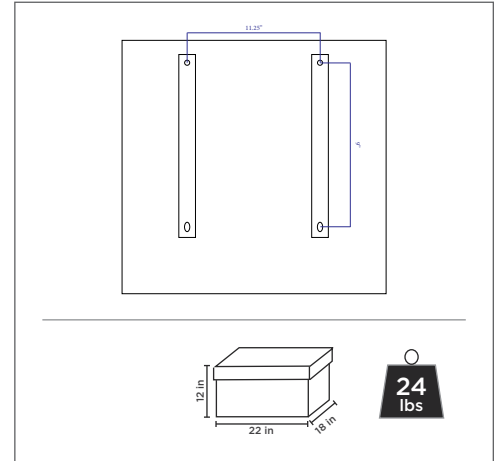
- PVC Cover
- Fore/aft adjustable
- Black



UNIVERSAL WRAP SEAT

SEA-50DIBE

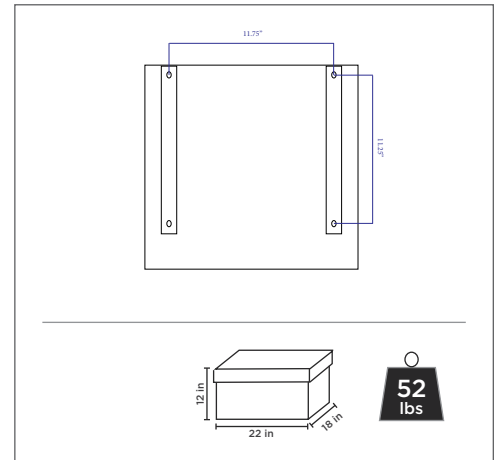
- Industrial wrap
- Fore/aft adjustable
- Document pocket in seat back
- Black



UNIVERSAL WRAP SUSPENSION SEAT

SEA-509SDIBE

- Industrial Wrap
- Adjustable back rest
- Fore/aft adjustable
- Weight adjustable suspension
- Document pocket in seat back
- Black



DANISH CULTIVATOR & PLOW PARTS

7" SWEEP
2 HOLE, OEM#
372560A1
PART# 56.372.560



7" SWEEP
2 HOLE, OEM#
1547097C2
PART# 56.547.097



2-3/4" SWEEP
2 HOLE, 2 3/4 X 6MM
PART# 56.000.019



10" SWEEP
10" X 1/4", 3/8" HOLE
PART# 56.000.014



7" SWEEP
7" X 6MM, 3/8" HOLE
PART# 56.000.008



4" SWEEP
4" X 6MM, 3/8" HOLE
PART# 56.000.007



4", 5 SIDED SWEEP
4" X 5 SIDED, 3/8" HOLE
PART# 56.000.025



2-3/4" SWEEP
2-3/4" X 6MM, 3/8" HOLE
PART# 56.000.006



2-3/4" SWEEP
2 3/4" X 6MM, 7/16" HOLE
PART# 56.444.006



C-SHANK SWEEP
4", 2 HOLE
PART# 56.104.247



BOLT ASSEMBLIES

3/8" X 1.5" 3/8" X 1.75"
PART# 56.000.004 PART# 56.000.016

7/16 X 1.75"
PART# 56.000.034



BOX QTYS
100/BOX

C-SHANK CULTIVATOR & PLOW PARTS

CLAMP
S-TINE 560/61
 12 X 50 BAR F/32 X 10
 PART# 56.000.002



CLAMP
2" TUBE 50 X 50 BAR F/32
 PART# 56.000.005



HD CLAMP
50 X 50 BAR F/45 X 12
 PART# 56.000.021



HD CLAMP
2.5" X 2.5" BAR F/45 X 12
 PART# 56.000.022



REVERSIBLE POINT
40 X 60 X 200 REVERSIBLE
3/8" HOLE
 PART# 56.000.003



REVERSIBLE POINT
40 X 6 X 215 REVERSIBLE
3/8" HOLE
 PART# 56.000.017

7/16 HOLE VERSION
 PART# 56.444.017



2 HOLE POINT
CULT REV 2 X10, 1-3/4"
CENTERS 2 HOLE BE FIELD
CULTIVATORS
 PART# ART-460



REVERSIBLE POINT
60 X 6 X 260 REVERSIBLE
3/8" HOLE
 PART# 56.000.020



STANDARD 10MM S-TINE
 32 X 10 X 550 / 1-1/4" X 3/8" X 22"
 PART# 56.000.001



HEAVY DUTY 12MM S-TINE
 32 X 12 X 550 / 1-1/4" X 1/2" X 22"
 PART# 56.000.010

45 X 12 X 660 HIGH CLEARANCE
 PART# 56.000.018



NEW SERIES DIAMOND CULTIVATOR SWEEPS GUARANTEED FIT & QUALITY!

HARDNESS TESTED AT HRC 46-50 BRINELL HB 434-500

2½" FORGED CULTIVATOR POINT
PART# 56.000.012



**4" FORGED CULTIVATOR POINT
SHORTNECK**
PART# 56.000.028



**2½" FORGED CULTIVATOR POINT
WITH NUB**
PART# 56.000.013



**4" FORGED CULTIVATOR POINT
LONGNECK**
PART# 56.000.029

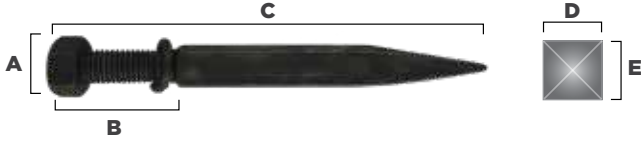


3" FORGED CULTIVATOR POINT
PART# 56.000.011



DIAMOND TINE

PART#	DESCRIPTION	A	B	C	D	E
61.200.002	HARROW 7"	9/16"	1-7/8"	7"	5/8"	5/8"



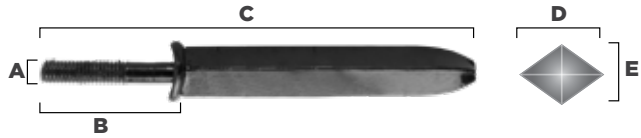
DIAMOND TINE

PART#	DESCRIPTION	A	B	C	D	E
61.200.004	HARROW 8"	9/16"	2"	8"	5/8"	5/8"



DIAMOND TINE

PART#	DESCRIPTION	A	B	C	D	E
61.200.016	7/16" THREAD	5/8"	7/8"	8"	7/8"	5/8"
61.200.017	1/2" THREAD	5/8"	7/8"	8"	7/8"	5/8"
61.200.018	7/16" THREAD	5/8"	7/8"	8"	7/8"	5/8"
61.200.019	1/2" THREAD	5/8"	7/8"	8 1/2"	7/8"	5/8"



DIAMOND TINE

PART#	DESCRIPTION	A	B	C	D	E
61.200.020	W/HEAD	5/8"	-	8"	7/8"	5/8"



DIAMOND TINE

PART#	DESCRIPTION	A	B	C	D	E
61.200.021	NO HEAD	5/8"	-	8"	7/8"	5/8"



SQUARE TINE

PART#	DESCRIPTION	A	B	C	D	E
61.200.031	NO HEAD	5/8"	-	8"	5/8"	5/8"



SQUARE TINE

PART#	DESCRIPTION	A	B	C	D	E
61.200.032	NO HEAD	5/8"	-	10"	5/8"	5/8"



SQUARE TINE

PART#	DESCRIPTION	A	B	C	D	E
61.200.040	3/4" X 8" NO HEAD	3/4"	-	8"	3/4"	3/4"



DIAMOND/SQUARE TINE

PART#	DESCRIPTION	A	B	C	D	E
61.200.045	3/4" X 10" TINE, SQUARE NO HEAD	3/4"	-	10"	3/4"	3/4"
61.200.047	3/4" X 11" TINE, DIAMOND W/HEAD	3/4"	-	11"	3/4"	3/4"
61.200.049	3/4" X 12" TINE, DIAMOND W/HEAD	3/4"	-	12"	3/4"	3/4"
61.200.051	3/4" X 14" TINE, DIAMOND W/HEAD	3/4"	-	14"	3/4"	3/4"



RUBBER RAKE TINES

UNIVERSAL RUBBER RAKE TINE

PART# 45.300.916



DIMENSIONS

YOKE HEIGHT	1 3/8"
BOLT HOLE DIAMETER	5/16"
TINE LENGTH FROM BOTTOM OF YOKE	7 1/4"
TINE DIAMETER	1/4"

REPLACES OEM#	65609, 850612, AE24953, RMT-
INTERCHANGES WITH	300916, T16-0182

NH RUBBER RAKE TINE

PART# 45.300.114



DIMENSIONS

YOKE HEIGHT	1 3/8"
BOLT HOLE DIAMETER	5/16"
TINE LENGTH FROM BOTTOM OF YOKE	7 1/4"
TINE DIAMETER	1/4"

REPLACES OEM#	65668, 850613
INTERCHANGES WITH	300114, T16-0154

RUBBER RAKE TOOTH

PART# 45.300.213



DIMENSIONS

YOKE HEIGHT	1 3/8"
BOLT HOLE DIAMETER	5/16"
TINE LENGTH FROM BOTTOM OF YOKE	7 1/4"
TINE DIAMETER	1/4"

REPLACES OEM#	139041, 850614
INTERCHANGES WITH	300213, T16-0166

RUBBER RAKE TOOTH

PART# 45.300.718



DIMENSIONS

YOKE HEIGHT	1 5/8"
BOLT HOLE DIAMETER	3/8"
TINE LENGTH FROM BOTTOM OF YOKE	10"
TINE DIAMETER	9/32"

REPLACES OEM#	AE56204, EF288801, 2888-001
INTERCHANGES WITH	300718, T16-0185

DOUBLE RAKE TINE

PART# 45.300.510



DIMENSIONS

YOKE HEIGHT	1 3/8"
BOLT HOLE DIAMETER	5/16"
TINE LENGTH FROM BOTTOM OF YOKE	7 1/4"
TINE DIAMETER	1/4"

REPLACES OEM#	2117RH, 400341, 491478
INTERCHANGES WITH	352052, T16-0190

RUBBER RAKE TOOTH

PART# 45.300.411



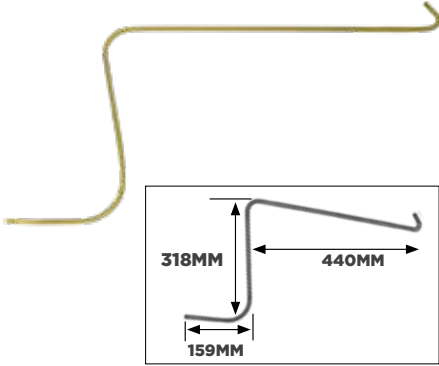
DIMENSIONS

YOKE HEIGHT	1 1/8"
BOLT HOLE DIAMETER	5/16"
TINE LENGTH FROM BOTTOM OF YOKE	7 1/2"
TINE DIAMETER	1/4"

REPLACES OEM#	7500630, H60003, 504-055, 106000
INTERCHANGES WITH	300411

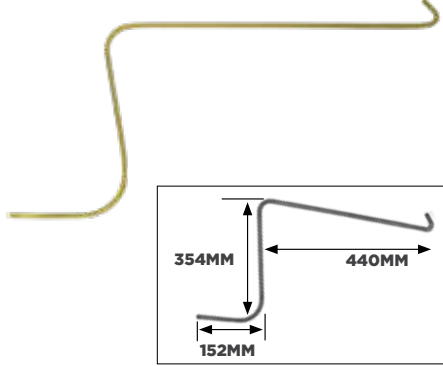
FINGER WHEEL TINE

PART# 45.092.611



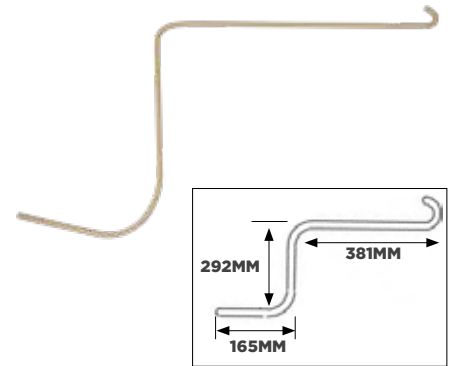
FINGER WHEEL TINE

PART# 45.036.133



FINGER WHEEL TINE

PART# 45.000.176



**NH RAKE TINE
TOP KUHN JUNIOR
OEM 64562**

PART# 45.064.562



**JD RAKE TINE
OEM TP257SE**

PART# 45.000.257



**JD RAKE TINE
OEM 186SE**

PART# 45.160.320



**IH RAKE TINE
OEM 457374R1/462978R**

PART# 45.160.126



**JD BALER TINE
OEM E61295**

PART# 45.061.295

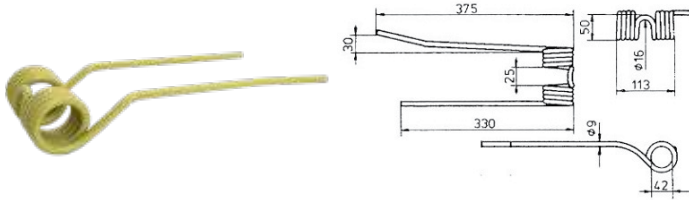


**NH BALER TINE
OEM 131673**

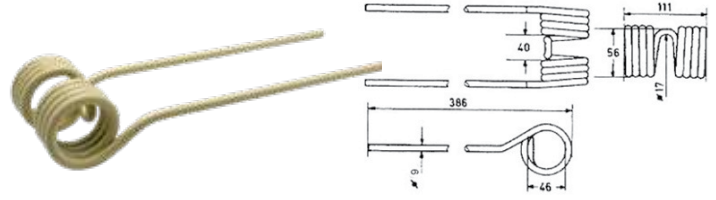
PART# 45.131.673



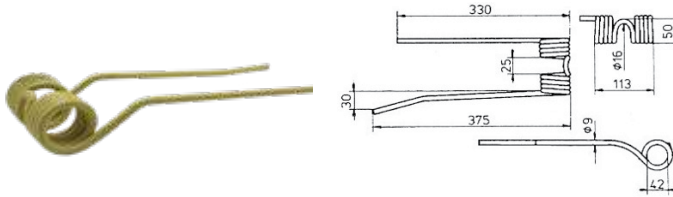
BE-TR300 NARROW RAKE TINE
RH, HAYBOB
PART# 45.000.106



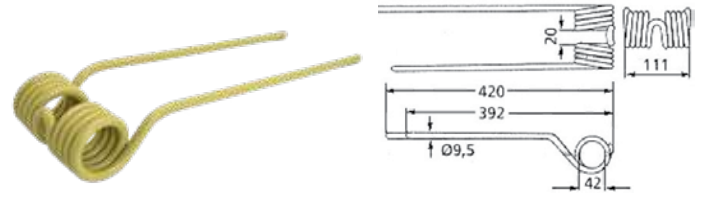
KUHN GRS RAKE TINE
KUHN # 57601100 FITS GRS 20, 21, 24
PART# 45.000.013



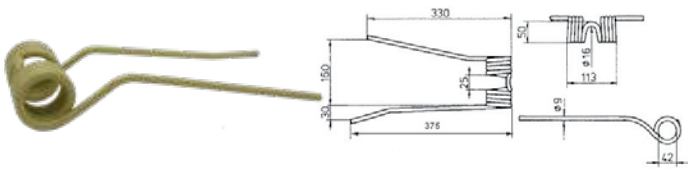
BE-TR300 NARROW RAKE TINE
LH, HAYBOB
PART# 45.000.107



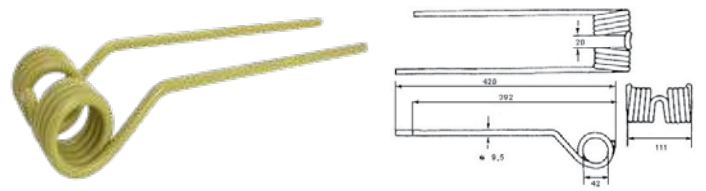
PZ-ZWEEGERS RAKE TINE
LH, FANEX # 339
PART# 45.000.025



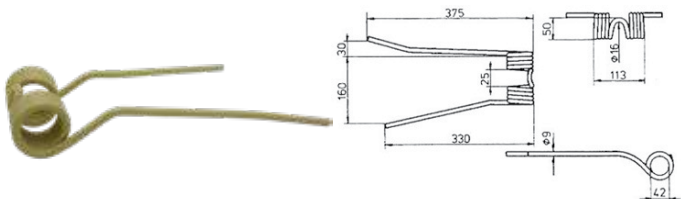
BE-TR300 WIDE RAKE TINE
LH, HAYBOB
PART# 45.000.110



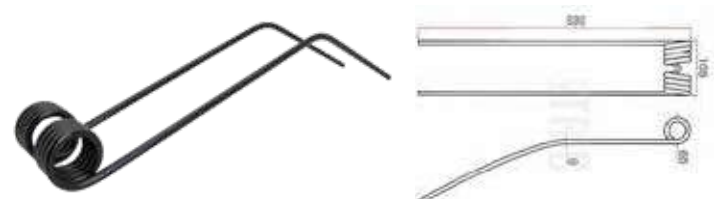
PZ-ZWEEGERS RAKE TINE
RH, FANEX # 340
PART# 45.000.026



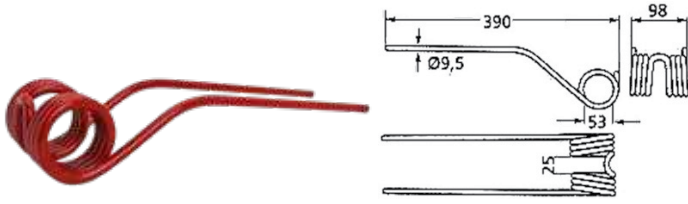
BE-TR300 WIDE RAKE TINE
RH, HAYBOB
PART# 45.000.111



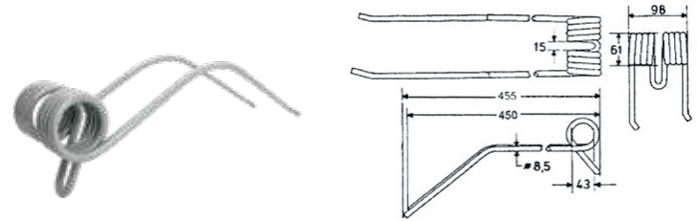
DA ROS GR TINE
DA ROS, MODELS GR300/330/380/410,
OEM # 6900220
PART# 45.000.220



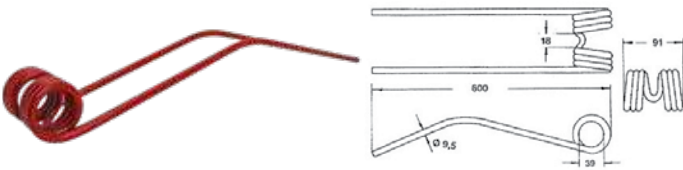
FELLA TEDDER TINE
FELLA TH SERIES
PART# 45.000.350



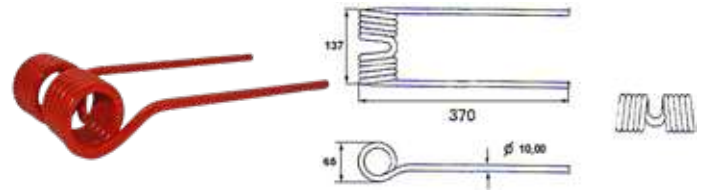
KUHN GS RAKE TINE
KUHN # 57701700 FITS GA 230, 280, 300, 402
PART# 45.000.400



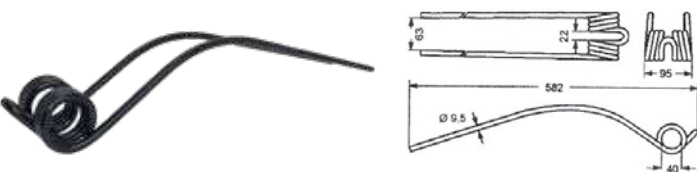
FELLA TS RAKE, OLD STYLE
TS 290, 320, 330, 335DN, 631
PART# 45.000.351



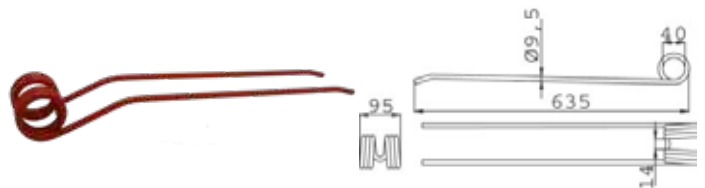
CLAAS LINER VOLTO RAKE TINE
CLAAS 9568151
PART# 45.000.700



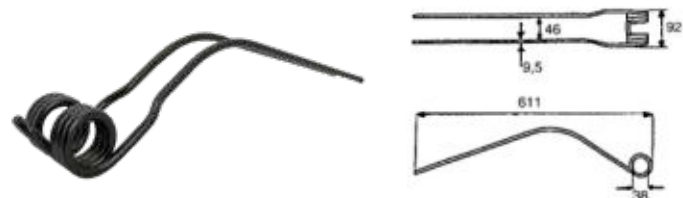
FELLA TS RAKE NEW STYLE
TS 340, 390, 425, 455, 670, 781
PART# 45.000.361



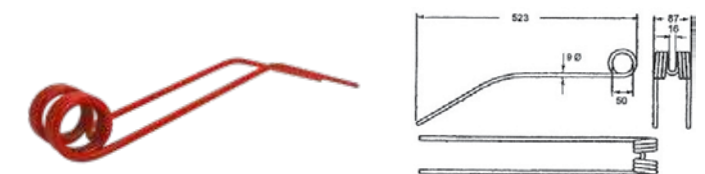
CLAAS LINER N/S RAKE TINE
CLAAS 9557100
PART# 45.000.710



FELLA TS RAKE NEW STYLE NARROW
TS 1601, 1601
PART# 45.000.362



CLAAS LINER O/S RAKE TINE
CLAAS 9536290
PART# 45.000.750



SICKLE GUARDS

DOUBLE FINGER GUARD

PART#	55.030.014
FITS MACHINE	CASE IH, CATERPILLAR, CHALLENGER, CLAAS
REPLACES OEM#	676235N
INTERCHANGES WITH #	FQ207



DOUBLE FINGER GUARD

PART#	55.030.031
FITS MACHINE	CASE IH, NEW HOLLAND, NEW IDEA
REPLACES OEM#	1326787C3, 483500R4, 187346A1
INTERCHANGES WITH #	BU210, FQ210



DOUBLE FINGER GUARD

PART#	55.030.001
FITS MACHINE	BADGER NORTHLAND, CASE IH, HESSTON, MACDON, MASSEY FERGUSON, NEW HOLLAND 683994M1, 700707147, 88615982, 700716292, 23064, 28013, 683476M1, 683994M1, 219191, 858778, 86521587, 86553340, 86615982
REPLACES OEM#	
INTERCHANGES WITH #	HA215M, BU215A, FQ215



DOUBLE FINGER GUARD

PART#	55.030.215
FITS MACHINE	BADGER NORTHLAND, CASE IH, HESSTON, MACDON, MASSEY FERGUSON, NEW HOLLAND 683994M1, 700707147, 88615982, 700716292, 23064, 28013, 683476M1, 683994M1, 219191, 858778, 86521587, 86553340, 86615982
REPLACES OEM#	
INTERCHANGES WITH #	BU215H, FQ215DH



DOUBLE FINGER GUARD

PART#	55.030.018
FITS MACHINE	CASE IH, MACDON
REPLACES OEM#	87560324, 87421451, 47687886, 118344
INTERCHANGES WITH #	BU215H, FQ215H



DOUBLE FINGER GUARD

PART#	55.030.344
FITS MACHINE	CASE IH, MACDON
REPLACES OEM#	87560324, 87421451, 47687886, 118344
INTERCHANGES WITH #	BU215H, FQ215H



DOUBLE FINGER GUARD

PART#	55.030.002
FITS MACHINE	MACDON, NEW HOLLAND
REPLACES OEM#	219190
INTERCHANGES WITH #	BU218, FQ218



DOUBLE FINGER GUARD

PART#	55.030.718
FITS MACHINE	MACDON, NEW HOLLAND
REPLACES OEM#	219190
INTERCHANGES WITH #	BU218H, FQ218



DOUBLE FINGER GUARD

PART#	55.030.104
FITS MACHINE	GEHL, JOHN DEERE
REPLACES OEM#	E48093, E82559, 072057
INTERCHANGES WITH #	BU220, FQ220



DOUBLE FINGER GUARD

PART#	55.030.225
FITS MACHINE	AGCO, GLEANER, MASSEY FERGUSON
REPLACES OEM#	71116504, 71341601, 71386962
INTERCHANGES WITH #	BU225, FQ225



DOUBLE FINGER GUARD

PART#	55.030.306
FITS MACHINE	AGCO, CCIL
REPLACES OEM#	J-1306
INTERCHANGES WITH #	BU230



DOUBLE FINGER GUARD

PART#	55.030.070
FITS MACHINE	MACDON, MASSEY FERGUSON
REPLACES OEM#	1041468M1GV, 798G235, BU235GV, G235, TP-W30341GV, TPW30341GV
INTERCHANGES WITH #	BU235, FQ235



DOUBLE FINGER GUARD

PART#	55.030.005
FITS MACHINE	JOHN DEERE, MASSEY FERGUSON, NEW HOLLAND, NEW IDEA, WHITE H113571, H145791, H153719, H171031, H61954, H75386, 228392M1, 228392M2, 134024, 714611, 9510220
REPLACES OEM#	
INTERCHANGES WITH #	MCM240A, FQ240A, BU240



DOUBLE FINGER GUARD

PART#	55.030.017
FITS MACHINE	JOHN DEERE
REPLACES OEM#	Z11228
INTERCHANGES WITH #	



DOUBLE FINGER GUARD

PART#	55.030.106
FITS MACHINE	CASE IH, FIELD QUEEN, GEHL, HESSTON, NEW HOLLAND, NEW IDEA, VERSATILE
REPLACES OEM#	700700845, 611179, 611902, 49239, 748178, 65327, V94711
INTERCHANGES WITH #	HA66-2, HA245, BU245, FQ245



DOUBLE FINGER GUARD

PART#	55.030.250
FITS MACHINE	CASE IH, GEHL, HESSTON, JOHN DEERE, NEW HOLLAND
REPLACES OEM#	049312, 060494, E71880, 257654
INTERCHANGES WITH #	BU250, FQ250



DOUBLE FINGER GUARD

PART#	55.030.007
FITS MACHINE	CASE IH, GEHL, NEW IDEA
REPLACES OEM#	613838R2, 187350A1, 044779, 61383R2
INTERCHANGES WITH #	BU270, FQ270



DOUBLE FINGER GUARD

PART#	55.030.275
FITS MACHINE	LOVE, JOHN DEERE, MASSEY FERGUSON, NEW HOLLAND
REPLACES OEM#	271971
INTERCHANGES WITH #	BU275, FQ275



DOUBLE FINGER GUARD

PART#	55.030.280
FITS MACHINE	NEW HOLLAND, NEW IDEA
REPLACES OEM#	290385
INTERCHANGES WITH #	BU280, FQ280



DOUBLE FINGER GUARD

PART#	55.030.290
FITS MACHINE	JOHN DEERE, VERSATILE
REPLACES OEM#	V1605, SW1605, 9705050
INTERCHANGES WITH #	BU290, FQ290



DOUBLE FINGER GUARD

PART#	55.030.299
FITS MACHINE	CASE IH
REPLACES OEM#	1307299C1, 1307299C2, 87442324
INTERCHANGES WITH #	BU299, FQ299



DOUBLE FINGER GUARD

PART#	55.030.201
FITS MACHINE	AGCO, CHALLENGER, JOHN DEERE, HONEY BEE, NEW HOLLAND
REPLACES OEM#	10616.10, 16500.10
INTERCHANGES WITH #	G81-0201



DOUBLE FINGER GUARD

PART#	55.030.015
FITS MACHINE	CASE IH, MASSEY FERGUSON
REPLACES OEM#	44102900, 44104500
INTERCHANGES WITH #	



TRIPLE FINGER GUARD

PART#	55.030.006
FITS MACHINE	JOHN DEERE
REPLACES OEM#	H229537, H213398, H205992, H205448
INTERCHANGES WITH #	



TRIPLE FINGER GUARD

PART#	55.030.043
FITS MACHINE	JOHN DEERE
REPLACES OEM#	H213405, H229539
INTERCHANGES WITH #	FG5043



TRIPLE FINGER GUARD

PART#	55.030.543
FITS MACHINE	JOHN DEERE
REPLACES OEM#	H229537, H213398, H205992, H205448
INTERCHANGES WITH #	



TRIPLE FINGER GUARD

PART#	55.030.004
FITS MACHINE	VINTAGE FORD, JOHN DEERE
REPLACES OEM#	H229538, AH213055, H213507
INTERCHANGES WITH #	FG7053



TRIPLE FINGER GUARD

PART#	55.030.753
FITS MACHINE	VINTAGE FORD, JOHN DEERE
REPLACES OEM#	H229538, AH213055, H213507
INTERCHANGES WITH #	FG7053H



TRIPLE FINGER GUARD

PART#	55.030.053
FITS MACHINE	JOHN DEERE
REPLACES OEM#	H213508, H229540
INTERCHANGES WITH #	FG8053



TRIPLE FINGER GUARD

PART#	55.030.853
FITS MACHINE	JOHN DEERE
REPLACES OEM#	H213508, H229540
INTERCHANGES WITH #	FG8053H



EXTRA HEAVY, UNDER SERRATED, CHROME

PART#	55.211.001
SIZE	3.25" X 2.06"
FITS MACHINE	CASE-IH, KOSCH, MASSEY NEW HOLLAND, NEW IDEA, OWATONNA, ROWSE
REPLACES OEM#	826722C1, 826722C2, K165, 1036362M1, 29875, OU577HS, 340-32049, M22831

10 PACK



EXTRA HEAVY, TOP SERRATED, BLACK

PART#	55.211.022
SIZE	3.25" X 2"
FITS MACHINE	JE LOVE, JOHN DEERE, FORD, TRIUMPH AGCO-ALLIS
REPLACES OEM#	L191, E76373, Z7030H, 141198, 646, 70802541

10 PACK



EXTRA HEAVY, TOP SERRATED, CHROME

PART#	55.212.012
SIZE	3.25" X 2"
FITS MACHINE	FORD, NEW HOLLAND, HESSTON, VERSATILE
REPLACES OEM#	94579, 049254, 596321R1, 604921H

10 PACK



EXTRA HEAVY, TOP SERRATED, CHROME

PART#	55.212.001
SIZE	3.25" X 2.06"
FITS MACHINE	CASE-IH NEW HOLLAND, HESSTON, MASSEY, OWATONNA
REPLACES OEM#	049213, 596321R3, 700705300, 86616527, 6839366M1, 340-16457

10 PACK



EXTRA HEAVY, TOP SERRATED, CHROME

PART#	55.204.170
SIZE	3.25" X 2.125"
FITS MACHINE	JOHN DEERE, MACDON, NEW HOLLAND, CASE-IH
REPLACES OEM#	W34602CR, W35888CR, 34390, 107170M1, 137448C1CR, 84342590

10 PACK



EXTRA HEAVY, TOP SERRATED, BLACK

PART#	55.203.325
SIZE	3.25" X 2.0"
FITS MACHINE	CASE-IH, NEW HOLLAND, OWATONNA, HESSTON
REPLACES OEM#	112074A1, 86616588, 86615988, 9622744, 86616691, SS340-32015, 70075299

10 PACK



EXTRA HEAVY, TOP SERRATED, CHROME

PART#	55.204.268
SIZE	3.25" X 2.06"
FITS MACHINE	CASE-IH, NEW HOLLAND, OWATONNA, HESSTON
REPLACES OEM#	191256A1, SS596321R3, 596321R4, 86616689, 700705300, SS700705300, SS340-32015CR

10 PACK



EXTRA HEAVY, TOP SERRATED, BLACK

PART#	55.211.211
SIZE	3.25" X 2.06"
FITS MACHINE	CASE-IH, NEW HOLLAND, KOSCH
REPLACES OEM#	9622744, 826720C2, 826720C3, 86615988, K164CR

10 PACK



EXTRA HEAVY, UNDER SERRATED, CHROME

PART#	55.212.061
SIZE	3" X 3-1/4"
FITS MACHINE	FIELD QUEEN, GEHL, KOSCH, MASSEY, CASE-IH, NEW HOLLAND, OWATONNA, NEW IDEA
REPLACES OEM#	457607R2, 060635, K165CR, 683937M1, 457607R3, 706226, 0188HS, 340-32049CR

10 PACK



EXTRA HEAVY, UNDER SERRATED, CHROME

PART#	55.212.063
SIZE	3.25" X 2.06"
FITS MACHINE	CASE-IH, NEW HOLLAND, HESSTON
REPLACES OEM#	457606R2, 048009, 604800

10 PACK



REGULAR, TOP SERRATED, CHROME

PART#	55.212.213
SIZE	3" X 2.06"
FITS MACHINE	VERSATILE
REPLACES OEM#	SW1616CR

10 PACK



EXTRA HEAVY, TOP SERRATED, CHROME

PART#	55.232.882
SIZE	
FITS MACHINE	SCHUMACHER JOHN DEERE
REPLACES OEM#	26208CR, 420-100-058, AZ41727

10 PACK



SICKLE SECTION KNIFE KITS & WEAR PLATES

RIGHT HAND, EXTRA HEAVY, TOP SERRATED, CHROME

2 PACK

PART#	55.204.210
SIZE	3-3/4 X 3-1/4
FITS MACHINE	UNIVERSAL, CASE-IH, FORD / NEW HOLLAND, GLEANER, JOHN DEERE
REPLACES OEM#	148200C1, E63245



LEFT HAND, EXTRA HEAVY, TOP SERRATED, CHROME

2 PACK

PART#	55.204.211
SIZE	3-3/4 X 3-1/4
FITS MACHINE	UNIVERSAL, CASE-IH, FORD / NEW HOLLAND, GLEANER, JOHN DEERE
REPLACES OEM#	700705463, E75474



RIGHT & LEFT HAND, EXTRA HEAVY, TOP SERRATED, CHROME

PART#	55.204.212
SIZE	3-3/4 X 3-1/4
FITS MACHINE	UNIVERSAL, CASE-IH, FORD / NEW HOLLAND, GLEANER, JOHN DEERE
REPLACES OEM#	148200C1, E63245, 700705463, E75474



WEAR PLATES 5-7/8" LONG SLOTTED WITH 3" SPACING

PART#	55.440.591
SIZE	5-7/8"
FITS MACHINE	UNIVERSAL, NEW HOLLAND, AGCO-ALLIS, CASE-IH
REPLACES OEM#	W50,141021



STEEL LOW ARCH HOLD DOWN CLIPS

PART#	55.450.692
FITS MACHINE	CASE-IH, GEHL, HESSTON, JOHN DEERE, MASSEY FERGUSON, FORD/NEW HOLLAND, NEW IDEA
REPLACES OEM#	613842R2, H7542, 241216, E47955, 1041469M1, 130431M1, 1055108M1, 67357, 137651, 290816



STEEL HIGH ARCH HOLD DOWN CLIPS

PART#	55.450.693
FITS MACHINE	CASE-IH, HESSTON
REPLACES OEM#	611759R1, 595648R1, 142984



STEEL LOW ARCH HOLD DOWN CLIPS

PART#	55.450.419
FITS MACHINE	VERSATILE
REPLACES OEM#	SW202





55.904.500

SICKLE SECTION BOLT-ON FASTENERS

PART#	DESCRIPTION	LENGTH	NO/PCS
55.904.500	BOLT W/ LOCKNUT	5/8"	50 PCS
55.550.058	COUNTERSUNK	1"	20 PCS
55.550.085	HEAD BOLTS	1"	15 PCS
55.550.095	HEAD BOLTS	1 5/16"	12 PCS



55.360.462

SICKLE SECTION RIVETS

PART#	DESCRIPTION
55.360.462	RIVETS, SICKLE SECTION 1LB, 5/8" LENGTH X 5 1/2" OVAL HEAD, ZINC PLATED



55.360.524

SICKLE SECTION RIVET ASSORTMENT

PART#	DESCRIPTION
55.360.524	SICKLE SECTION RIVET ASSORTMENT, 82 PCS, 3 SIZES

ASSORTMENT CONTENTS

RIVET SIZE	PIECES
5/8" X 5 1/2" OVAL HEAD	72
1" X 5 1/2" OVAL HEAD	5
1 1/4" X 5 1/2" OVAL HEAD	5

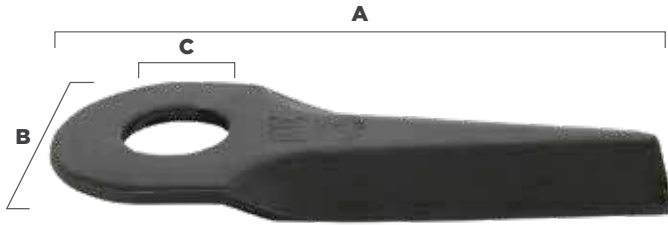


55.380.560

PITMAN ARM

PART#	DESCRIPTION
55.380.560	PITMAN ARM, UNIVERSAL WOOD

HAY MOWER BLADES CW & CCW



JOHN DEERE

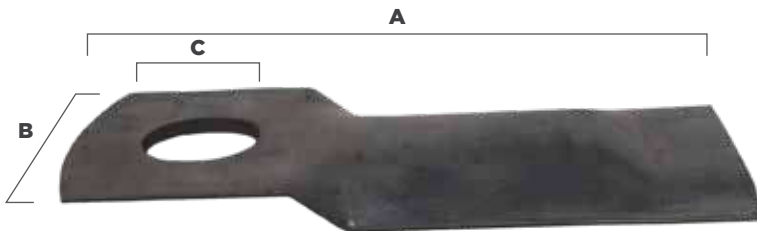
BRABER#	JOHN DEERE#	DESCRIPTION	A	B	C
55.000.007	CC19993	SHORT SPOON	130	49	20.5 X 22.8 OVAL

NEW HOLLAND

BRABER#	NEW HOLLAND#	DESCRIPTION	FITS MODELS	A	B	C
55.000.007	697551	SHORT SPOON	442, 462	130	49	20.5 X 22.8 OVAL

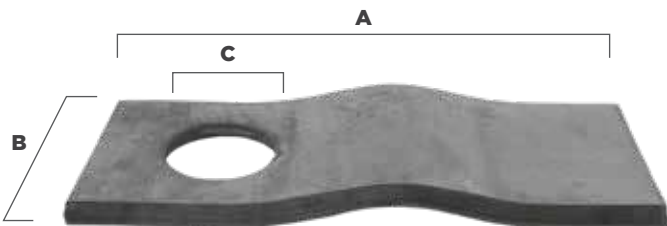
TAARUP

BRABER#	TAARUP#	DESCRIPTION	FITS MODELS	A	B	C
55.000.007	56-110-300	SHORT SPOON	204, 205, 206	130	49	20.5 X 22.8 OVAL



TAARUP

BRABER#	TAARUP#	DESCRIPTION	A	B	C
55.293.100	56-293-100	SHORT SPOON	131	50	20.5 X 22.8 OVAL

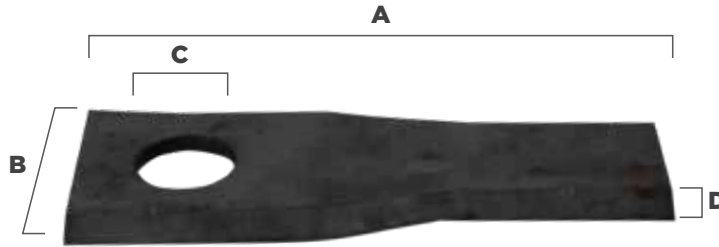


PZ-ZWEEGERS

BRABER#	PZ-ZWEEGERS#	FOR MODELS	A	B	C
55.000.010	CM120	CM 135, CM 165	105	47	21

SIP

BRABER#	SIP#	FOR MODELS	A	B	C
55.000.010	151019702	ROTO 135, 165, 185, RK1650	105	47	21



BUSH HOG

BRABER#	ROTATION	HANDLE	BUSH HOG#	FITS MODELS	A	B	C	D
55.000.011	CCW	LH	526215	DM18, DM19, DM7, DM8 DM9, HM5, HM7, HM8	120	48	18.5	4
55.000.012	CW	RH	526216		120	48	18.5	4

CASE IH

BRABER#	ROTATION	HANDLE	CASE IH#	FITS MODELS	A	B	C	D
55.000.012	CW	RH	ZA526215	3204, 3205, 3206, 3209, ALL WITH STANDARD DISK	120	48	18.5	4
55.000.011	CCW	LH	ZA526215		120	48	18.5	4
55.000.857	CW	RH	700711857	8309, 8312, 8315, 8850	108	48	18.5	4
55.000.858	CCW	LH	700711858		108	48	18.5	4
55.952.420	CW	RH	952042	DISCO 2650, 3050, 3450	115	47.75	19	4
55.952.430	CCW	LH	952043		115	47.75	19	4

CLAAS

BRABER#	ROTATION	HANDLE	CLAAS#	FITS MODELS	A	B	C	D
55.952.420	CW	RH	952.042	DISCO 2650, 3050, 3450	115	47.75	19	4
55.952.430	CCW	LH	952.043		115	47.75	19	4

FELLA

BRABER#	ROTATION	HANDLE	FELLA#	FITS MODELS	A	B	C	D
55.000.104	CW	RH	122.330	SM 165, SM 206, SM 216, SM 240, SH 167, SH 207, SH 247, SM168, SM208	106	48	19	4
55.000.103	CCW	LH	122.329		106	48	19	4
55.000.117	CCW	LH	131.117	SM 270, SM 210, SM 320, SM 350, SM310	111	48.75	19	4
55.000.118	CW	RH	131.118		111	48.75	19	4
55.000.174	CW	RH	N/A	SM 900	118	48.75	19	4
55.000.175	CCW	LH	N/A		118	48.75	19	4

GEHL

BRABER#	ROTATION	HANDLE	GEHL#	FITS MODELS	A	B	C	D
55.000.011	CCW	LH	604658	2310, 2330, DC1080, DC2350, DH140, DH160	120	48	18.5	4
55.000.012	CW	RH	604659		120	48	18.5	4

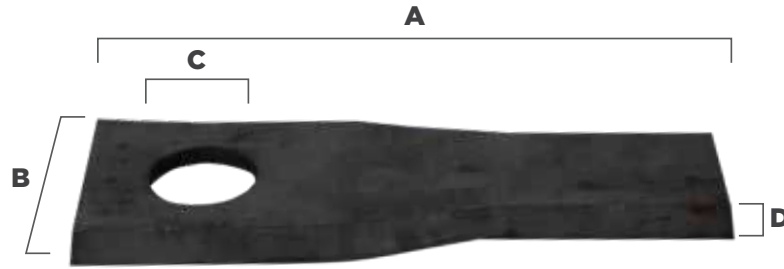
HESSTON

BRABER#	ROTATION	HANDLE	HESSTON#	FITS MODELS	A	B	C	D
55.000.015	CW	RH	700712888	10° LIFT, 1320, 1340, 1360, 1365	107	45	18	4
55.000.016	CCW	LH	700712889		107	45	18	4
55.000.857	CW	RH	700711857	11° LIFT, 1320, 1340, 1360, 1365	108	48	18.5	4
55.000.858	CCW	LH	700711858		108	48	18.5	4
55.000.575	CW	RH	700715575	18° LIFT, 1320, 1340, 1360, 1365	107	45	18	4
55.000.576	CCW	LH	700715576		107	45	18	4

INTERNATIONAL

BRABER#	ROTATION	HANDLE	INTERNATIONAL#	FITS MODELS	A	B	C	D
55.000.011	CCW	LH	56890	3204, 3205, 3206	120	48	18.5	4
55.000.012	CW	RH	58700		120	48	18.5	4

HAY MOWER BLADES CW & CCW



JOHN DEERE

BRABER#	ROTATION	HANDLE	JOHN DEERE#	FITS MODELS	A	B	C	D
55.000.015	CW	RH	E80208	920, 930, 1350, 1360, 1460, 1470	107	45	18	4
55.000.016	CCW	LH	E80206		107	45	18	4

KUHN

BRABER#	ROTATION	HANDLE	KUHN#	FITS MODELS	A	B	C	D
55.000.780	CW	RH	564.512.00	GHD44, 44HD, 55, 55HD, 66, 66HD, 77, GMD SELECT	122	48	18.5	4
55.000.781	CCW	LH	564.513.00		122	48	18.5	4
55.000.015	CW	RH	559.033.10	FC252G, 353GC, 350G, 300 GMD500, 700, 600, 602, 702	107	45	18	4
55.000.016	CCW	LH	559.032.10		107	45	18	4
55.000.004	CW	RH	561.513.00	FC 300, 302, 303, 350, 352, 400, 500, 4000G, 4000R, 4000RG	93	40	16.5	3
55.000.003	CCW	LH	561.512.00		93	40	16.5	3

NEW HOLLAND

BRABER#	ROTATION	HANDLE	NEW HOLLAND#	FITS MODELS	A	B	C	D
55.000.012	CW	RH	444 267	408, 411, 412, 415	120	48	18.5	4
55.000.011	CCW	LH	444 266		120	48	18.5	4
55.000.015	CW	RH	853 820	1411, 1412, 1431, 1432, 1441, 1442 & OLDER 600 SERIES	107	45	18	4
55.000.016	CCW	LH	853 819		107	45	18	4
55.000.683	CW	RH	9847683	1411, 1412, 1431, 1432, 1441, 1442 & OLDER 600 SERIES	107	48	22.8	4
55.000.684	CCW	LH	9847684		107	48	22.8	4

NEW IDEA

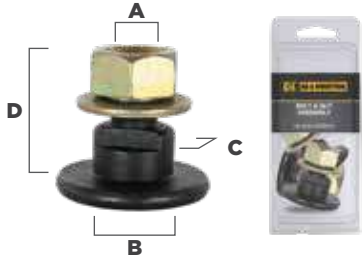
BRABER#	ROTATION	HANDLE	NEW IDEA#	FITS MODELS	A	B	C	D
55.000.011	CCW	LH	526215	5209, 5212, 526, 527, 528, 5406, 5407, 5408, 5409	120	48	18.5	4
55.000.012	CW	RH	526216		120	48	18.5	4

TAARUP

BRABER#	ROTATION	HANDLE	TAARUP#	FITS MODELS	A	B	C	D
55.110.400	CW	RH	56.110.400	4028, 4032, 4032C, 4040, 4040C	126	48	20.5 X 23	4
55.110.900	CCW	LH	56.110.900		126	48	20.5 X 23	4

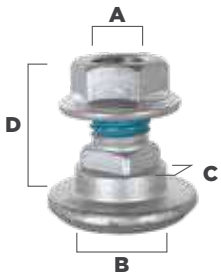
VICON

BRABER#	ROTATION	HANDLE	VICON#	FITS MODELS	A	B	C	D
55.000.012	CW	RH	900-58-700	CH165, 167, 247, 240, GHR2400, 3200, KH240, 241, 321, KMR, KMT 2400, 300, 3200	120	48	18.5	4
55.000.011	CCW	LH	902-58-699		120	48	18.5	4
55.000.014	CW	RH	902-61-560	AM 2400, 2800, CM144, 216, 217, GMR 2800, KM 281, 391, KMR 2800, KMT 2800	108	48	18.5	4
55.000.013	CCW	LH	902-61-559		108	48	18.5	4



BOLT & NUT

BRABER#	KUHN#	A	B	C	D
06.000.015	561.158.00K	12	18	12	26



BOLT & NUT

BRABER#	FELLA#	A	B	C	D
06.000.016	122.181, 426.053	12	18	12	21



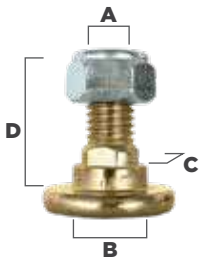
BOLT & NUT

BRABER#	TAARUP#	A	B	C	D
06.000.018	56.403.000	12	20	12	30



BOLT & NUT

BRABER#	VICON#	A	B	C	D
06.000.017	900-81-160	10	18	N/A	25



BOLT & NUT

BRABER#	VICON#	A	B	C	D
06.000.020	B13-74-593	12	18	12	29

DIMENSIONS LEGEND

A	BOLT WIDTH
B	BLADE SHOULDER
C	LOCK WIDTH
D	USEABLE LENGTH

MOUNTS, HARROWS, BALE FORKS AND SLEEVES

CONUS TYPE CRANKED BALE FORK

PART# 60.000.006



BALE FORKS & SLEEVES

PART#	DESCRIPTION
60.000.006	BALE FORK, CONUS TYPE 1, 35 IN
60.000.007	BALE FORK, CONUS TYPE 2, 39 IN

39" CONUS TYPE BALE FORK

PART# 60.000.004



BALE FORKS & SLEEVES

PART#	DESCRIPTION
60.000.003	32" BALE FORK, CONUS TYPE 2, STRAIGHT
60.000.004	39" BALE FORK, CONUS TYPE 2, STRAIGHT
60.000.005	49" BALE FORK, CONUS TYPE 2, STRAIGHT

CONUS TYPE 1 SLEEVE

PART# 60.000.001



CONUS TYPE 2 SLEEVE

PART# 60.000.002



BALE FORKS & SLEEVES

PART#	DESCRIPTION
60.000.001	CONUS TYPE 1 SLEEVE
60.000.002	CONUS TYPE 2 SLEEVE

BALE SPEAR RACK

PART# 60.000.010



***INCLUDES BALE SPEARS**

BALE FORKS & SLEEVES

PART#	DESCRIPTION	QTY PER KIT
60.000.002	CONUS 2 SLEEVE	8
60.000.003	BALE SPEAR, 32"	2
60.000.004	BALE SPEAR, 39"	6
60.000.005	BALE SPEAR, 49"	8

FLAILS BLADES

PART#	DESCRIPTION
55.000.080	FL920 CUP FLAIL *NEW BE DIAMOND SERIES
55.000.090	FL940 HD SPF MOWERS
55.000.090HS	FL946 HARDENED SURFACE

FLAIL

PART# 55.000.090



FLAIL

PART# 55.000.080



FORGED HAMMER

REARS OM750,
PART# 55.000.099
Made In Italy



BOLT & NUT KIT #: COMING SOON

FORGED HAMMER
REARS OM750, HARD SURFACED
PART# 55.000.099HS
Made In Italy



DROPPED FORGED WITH HARD SURFACING



BOLT & NUT KIT #: COMING SOON

FORGED HAMMER
PERFECT
PART# 55.000.021
Made In Italy



BOLT & NUT KIT #: 05.100.003

FORGED HAMMER
SEPPI LONG
PART# 55.000.020
Made In Italy



BOLT & NUT KIT #: 05.100.004

FORGED HAMMER
SEPPI SHORT
PART# 55.000.022
Made In Italy



BOLT & NUT KIT #: 05.100.004

FORGED HAMMER
AGRIEASE AGF
PART# EFAG140.103
Made In Italy



BOLT & NUT KIT #: 05.100.012

FORGED HAMMER
AGRIEASE EFGC
PART# EFGC120.104A
Made In Italy



BOLT & NUT KIT #: 05.100.001

FORGED HAMMER
BOMFORD 02-959-01
PART# 55.000.026
Made In Italy



BOLT & NUT KIT #: MODEL SPECIFIC

FORGED HAMMER
VOTEX
PART# 55.000.150
Made In Italy



BOLT & NUT KIT #: COMING SOON

FLAIL BLADES & HAMMERS

FORGED HAMMER
REARS FL948
 PART# 55.000.098
 Made In Italy



BOLT & NUT KIT #: COMING SOON

FORGED HAMMER
FITS COSMAD/RINIERI/ZANON
 PART# 55.000.060
 Made In Italy



BOLT & NUT KIT #: 05.100.002

FORGED HAMMER
PROMAC
 PART# 55.128.000
 Made In Italy



BOLT & NUT KIT #: 05.100.008

FORGED HAMMER
TIGER
 PART# 55.296.763
 Made In Italy



BOLT & NUT KIT #: 05.100.009

FORGED HAMMER
BOMFORD 42594-01
 PART# 55.425.941
 Made In Italy



BOLT & NUT KIT #: MODEL SPECIFIC

FORGED HAMMER
MCCONNELL/BOMFORD
 PART# 55.500.000
 Made In Italy



BOLT & NUT KIT #: COMING SOON

FORGED HAMMER
RINIERI TRB
 PART# 55.000.277
 Made In Italy



BOLT & NUT KIT #: 05.100.006

FORGED HAMMER
ALAMO16.5
 PART# 55.100.300
 Made In Italy



BOLT & NUT KIT #: 05.100.007

FORGED HAMMER
ZANON TFB
 PART# 55.535.110
 Made In Italy



BOLT & NUT KIT #: 05.100.010

FORGED HAMMER
MASCHIO GIRAFFA
 PART# 034-00-410
 Made In Italy



BOLT & NUT KIT #: 05.100.002

FORGED HAMMER
WILLIBAUGH
 PART# 55.000.019
 Made In Italy



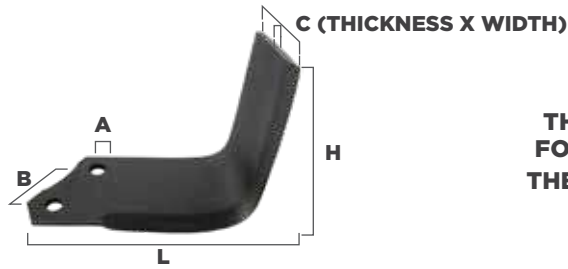
BOLT & NUT KIT #: COMING SOON

FORGED HAMMER
FITS BE-AGL
 PART# 701140011
 Made In Italy



RAKE TINE
FITS BORELLO/CESARI
 PART# 45.000.430
 Made In Italy





L SHAPED TILLAGE BLADES

THE SQUARE BLADE OR "L" BLADE CREATES A FINER FINISH FOR SEED BED PREPARATION AND CREATES MORE HARDPAN. THE SQUARE BLADE HAS A CHOPPING EFFECT WHICH IS IDEAL FOR RASPBERRY CANES.

AGRIC

BRABER#		AFRIC#	FITS MODELS	BOLT KIT	A	B	C	L	H
63.000.009	LH	N/A	B	05.000.002	1/2"	57	80 X 7	180	132
63.000.010	RH	N/A							
63.000.013	LH	36216L	A	05.000.001	7/16"	57	80 X 6	170	140
63.000.014	RH	36215R							

BREVEGLIERI

BRABER #		BREVEGLIERI#	FITS MODELS	BOLT KIT	A	B	C	L	H
63.000.098	RH	0089275D	MG	05.000.006	12.5	40	60 X 6	154	56
63.000.098HS									
63.000.099	LH	0089275S							
63.000.099HS									

FARM KING

BRABER#		FARM KING#	FITS MODELS	BOLT KIT	A	B	C	L	H
63.000.009	LH	91202901LH	HD 50/60 (72"-80")	05.000.002	1/2"	57	80 X 7	180	132
63.000.010	RH	91202900RH							

FRONTIER

BRABER#		FRONTIER#	FITS MODELS	BOLT KIT	A	B	C	L	H
63.000.047	LH	191-00-422	RT 1260/1360	05.000.006	7/16"	45	70 X 6	190	115
63.000.046	RH	191-00-421							

HOWARD

BRABER#		HOWARD#	FITS MODELS	BOLT KIT	A	B	C	L	H
63.000.009	LH	3900	E/U/HE/A/H/ST/HR20/HR30	05.000.002	1/2"	57	80 X 7	180	132
63.000.010	RH	3901							
63.000.013	LH	9900	P/HL/HX/HR8/HR9/HR10/HR15/HR16/HR20	05.000.001	7/16"	57	80 X 6	170	140
63.000.014	RH	9901							
63.000.015	LH	9863	HR40/HR41/HR43, K/S/M	05.000.009 OPT: 05.000.008	16.5	51	80 X 9	180	138
63.000.016	RH	9862							

JOHN DEERE

BRABER#		JOHN DEERE#	FITS MODELS	BOLT KIT	A	B	C	L	H
63.000.009	LH	N/A	770	05.000.002	1/2"	57	80 X 7	180	132
63.000.010	RH	N/A							
63.000.013	LH	PT8444	550/660	05.000.001	7/16"	57	80 X 6	170	140
63.000.014	RH	PT8445							
63.000.064	LH	N/A	RT 1270	05.000.007	14.5	48	80 X 6	180	135
63.000.065	RH	N/A							

HS: HARDSURFACED ONE SIDE
TS: HARDSURFACED BOTH SIDES

ALL MEASUREMENTS ARE IN MILLEMETERS UNLESS OTHERWISE STATED (1" = 25.4MM)
THESE ITEMS ARE NOT ORIGINAL EQUIPMENTS PARTS



L SHAPED TILLAGE BLADES

THE SQUARE BLADE OR "L" BLADE CREATES A FINER FINISH FOR SEED BED PREPARATION AND CREATES MORE HARDPAN. THE SQUARE BLADE HAS A CHOPPING EFFECT WHICH IS IDEAL FOR RASPBERRY CANES.

KRONE

BRABER#		KRONE#	FITS MODELS	BOLT KIT	A	B	C	L	H
63.000.001	LH	035-43-0	RE	05.000.007	14.5	35	65 X 7	190	128
63.000.002	RH	035-268-1							
63.000.005	LH	036-395-0	REVS	05.000.007	14.5	57	80 X 7	165	138
63.000.006	RH	036-273-0							
63.000.007	LH	107-269-0	RF	05.000.009	16.5	75	110 X 8	195	140
63.000.008	RH	107-083-0							

KUHN

BRABER#		KUHN#	FITS MODELS	BOLT KIT	A	B	C	L	H
63.000.009	LH	N/A	EL-70/80/120	05.000.002	1/2"	57	80 X 7	169	130
63.000.010	RH	N/A							
63.000.013	LH	52166400	EL-30/35/45/50/60/71	05.000.001	7/16"	57	80 X 6	170	140
63.000.014	RH	52106300							

KUBOTA

BRABER#		KUBOTA#	FITS MODELS	BOLT KIT	A	B	C	L	H
63.000.013	LH	70741-55850	FL 850/1000/1020/ 1021/ 1270/1271	05.000.001	7/16"	57	80 X 6	170	140
63.000.014	RH	70741-55860							

MASCHIO/TERRANOVA

BRABER#		MASCHIO#	FITS MODELS	BOLT KIT	A	B	C	L	H
63.000.034	RH	021-08-430	NC/PS/Z	05.000.007	14.5	56	80 X 6	180	135
63.000.035	LH	021-08-431							
63.000.040	RH	011-10-428	BI/B/C/SC TBI/TB/TC/TSC	05.000.007	14.5	56	80 X 8	215	140
63.000.041									
63.000.041HS									
63.000.046	RH	191-00-422	A/E/H/KS/W TA/TE/TH/TKS/TW	05.000.006	12.5	44	70 X 6	190	115
63.000.047	LH	191-00-421							
63.000.056	RH	241-00-404	S TS	05.000.008	16.5	56	90 X 8	223	145
63.000.057	LH	241-00-405							
63.000.064	LH	291-00-408	U/US/UZ TU/TUS/TUZ	05.000.007	14.5	48	80 X 6	180	135
63.000.065	RH	291-00-407							
63.000.052	RH	201-00-414	G	05.000.009	16.5	68	97 X 10	225	140
63.000.053	LH	201-00-415							

HS: HARDSURFACED ONE SIDE
TS: HARDSURFACED BOTH SIDES

ALL MEASUREMENTS ARE IN MILLEMMETERS UNLESS OTHERWISE STATED (1" = 25.4MM)
THESE ITEMS ARE NOT ORIGINAL EQUIPMENTS PARTS



L SHAPED TILLAGE BLADES

THE SQUARE BLADE OR "L" BLADE CREATES A FINER FINISH FOR SEED BED PREPARATION AND CREATES MORE HARDPAN. THE SQUARE BLADE HAS A CHOPPING EFFECT WHICH IS IDEAL FOR RASPBERRY CANES.

NORTHWEST

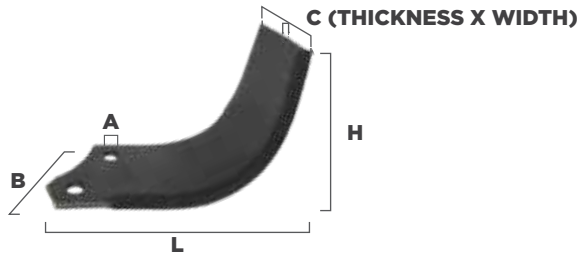
NORTHWEST#		NORTHWEST#	FITS MODELS	BOLT KIT	A	B	C	L	H
63.100.026	LH	RB26	H/P	05.000.009	16.5	56	3/8"	167	157
63.100.026HS		RB26HS							
63.100.027	RH	RB27							
63.100.027HS		RB27HS							

ORTOLAN

BRABER#		ORTOLAN#	FITS MODELS	BOLT KIT	A	B	C	L	H
63.000.041	LH	63.000.041	H/P	05.000.007	14.5	56	80 X 8	215	140
63.000.041HS		63.000.041HS							
63.000.040	RH	63.000.040							
63.000.040HS		63.000.040HS							

SOVEMA

BRABER#		SOVEMA#	FITS MODELS	BOLT KIT	A	B	C	L	H
63.000.162	RH	900-11-007	SP/SPS/SE/SEC/SPC	05.000.006	12.5	46	70 X 7	180	110
63.000.163	LH	900-11-008							



C SHAPED TILLAGE BLADES

THE "C" BLADE IS A GENERAL PURPOSE TILLAGE BLADE THAT CREATES LESS HARDPAN. C BLADES HAVE A SELF CLEANING CAPABILITY DUE TO A WIPING MOTION.

AGRIEASE

BRABER#			FITS MODELS	BOLT KIT	A	B	C	L	H
63.000.019	LH	63.000.019	BE-IGN	05.000.002	1/2"	57	80 X 7	210	130
63.000.020	RH	63.000.020							
63.000.048	RH	63.000.048	BE-TS	05.000.006	12.5	44	70 X 6	190	115
63.000.049	LH	63.000.049							
63.000.066	RH	63.000.066	BE-FTL	05.000.006	12.5	45	60 X 5.5	180	117
63.000.067	LH	63.000.067							
63.000.192	RH	63.000.192	BE-RT/RTM	05.000.006	12.5	44	65 X 6	165	105
63.000.193	LH	63.000.193							
63.000.194	RH	63.000.194	BE-RT	05.000.006	12.5	44	52 X 6	165	105
63.000.195	LH	63.000.195							
63.000.196	RH	63.000.196	BE-TXG	05.000.006	12.5	35	60 X 6	155	130
63.000.197	LH	63.000.197							

AGRIC

BRABER#		AGRIC#	FITS MODELS	BOLT KIT	A	B	C	L	H
63.000.019	LH	N/A	B, BMS	05.000.002	1/2"	57	80 X 7	210	130
63.000.020	RH	N/A							
63.000.073	LH	N/A	D/AFMJ/AL	05.000.001	7/16"	35	67 X 6	140	146
63.000.072	RH	N/A							

BEFCO

BRABER#		BEFCO#	FITS MODELS	BOLT KIT	A	B	C	L	H
63.000.121	LH	000-0104D/S	G/1/T30/T40	05.000.002	1/2"	40	60 X 6	175	110
63.000.120	RH	000-0104D/S							

CARONI

BRABER#		CARONI#	FITS MODELS	BOLT KIT	A	B	C	L	H
63.000.073	LH	FL-17400/500	FL80/90/100/110 /120/130	05.000.001	7/16"	35	67 X 6	140	146
63.000.072	RH	FL-17400/500							

CELLI

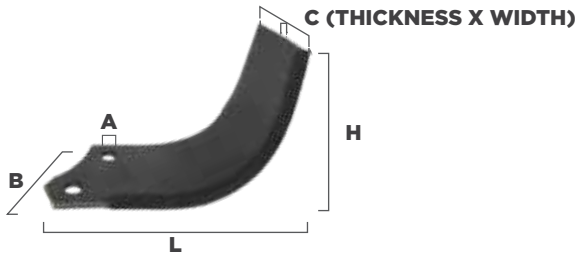
BRABER#		CELLI#	FITS MODELS	BOLT KIT	A	B	C	L	H
63.722.562HS		722562HS	TIGRE		16	57	71 X 10	176	142
63.722.562TS		722562TS							
63.722.563HS		722563HS	TIGRE		16	57	71 X 10	176	142
63.722.563TS		722563TS							

FARM KING

BRABER#		FARM KING#	FITS MODELS	BOLT KIT	A	B	C	L	H
63.000.019	LH	N/A	HD 50/60/72/84/E50	05.000.002	1/2"	57	80 X 7	210	130
63.000.020	RH	N/A							
63.000.121	LH	N/A	LD 40/48/60	05.000.002	1/2"	40	60 X 6	175	110
63.000.120	RH	N/A							

HS: HARDSURFACED ONE SIDE
 TS: HARDSURFACED BOTH SIDES

ALL MEASUREMENTS ARE IN MILLEMMETERS UNLESS OTHERWISE STATED (1" = 25.4MM)
 THESE ITEMS ARE NOT ORIGINAL EQUIPMENTS PARTS



C SHAPED TILLAGE BLADES

THE "C" BLADE IS A GENERAL PURPOSE TILLAGE BLADE THAT CREATES LESS HARDPAN. C BLADES HAVE A SELF CLEANING CAPABILITY DUE TO A WIPING MOTION.

FRONTIER

BRABER#		FRONTIER#	FITS MODELS	BOLT KIT	A	B	C	L	H
63.000.069	LH	400-00-405	RT 1140/1150/1160H	05.000.006	12.5	40	60 X 5	180	110
63.000.068	RH	400-00-404							
63.000.067	LH	480-00-405	RT 1240/1250/1160	05.000.006	12.5	45	60 X 5.5	180	117
63.000.066	RH	480-00-404							
63.000.049	LH	191-00-424	RT 1260/1360	05.000.006	12.5	44	70 X 6	190	115
63.000.049HS									
63.000.048	RH	191-00-423							
63.000.048HS									

HOWARD

BRABER#		HOWARD#	FITS MODELS	BOLT KIT	A	B	C	L	H
63.000.019	LH	9948	E/U/HE/A/H/ST/HR20/HR30/E50	05.000.002	1/2"	57	80 X 7	210	130
63.000.020	RH	9949							
63.000.609	LH	G5149/300	HR7/HR12	05.000.001	7/16"	35	60 X 6	130	120
63.000.610	RH	D5150/300							

JOHN DEERE

BRABER#		JOHN DEERE#	FITS MODELS	BOLT KIT	A	B	C	L	H
63.000.019	LH	N/A	770	05.000.002	1/2"	57	80 X 7	210	130
63.000.020	RH	N/A							
63.000.609	LH	N/A	550/660	05.000.001	7/16"	35	60 X 6	130	120
63.000.610	RH	N/A							

KUHN

BRABER#		KUHN#	FITS MODELS	BOLT KIT	A	B	C	L	H
63.000.096HS	RH	52359600	GL 142/250/300/400	05.000.008	16	75	108 X 8	225	140
63.000.097HS	LH	52359700							

LANDPRIDE

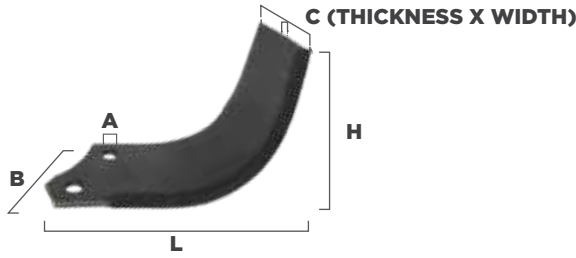
BRABER#		LANDPRIDE#	FITS MODELS	BOLT KIT	A	B	C	L	H
63.000.121	LH	820-056C	10/15	05.000.002	1/2"	40	60 X 6	175	110
63.000.120	RH	820-055C							
63.000.185	LH	820-057C	25	05.000.002	1/2"	1-3/4"	60 X 6	190	115
63.000.184	RH	820-058C							
63.000.049	LH		34/50	05.000.006	12.5	44	70 X 6	190	115
63.000.049HS									
63.000.048	RH								
63.000.048HS									

MALETTI

BRABER#		MALETTI#	FITS MODELS	BOLT KIT	A	B	C	L	H
63.000.150	LH	1300079C	PL	05.000.007	14.5	46	70 X 8	205	110
63.000.151	RH	1300080C							

HS: HARDSURFACED ONE SIDE
TS: HARDSURFACED BOTH SIDES

ALL MEASUREMENTS ARE IN MILLEMETERS UNLESS OTHERWISE STATED (1" = 25.4MM)
THESE ITEMS ARE NOT ORIGINAL EQUIPMENTS PARTS



C SHAPED TILLAGE BLADES

THE "C" BLADE IS A GENERAL PURPOSE TILLAGE BLADE THAT CREATES LESS HARDPAN. C BLADES HAVE A SELF CLEANING CAPABILITY DUE TO A WIPING MOTION.

MASCHIO/TERRANOVA

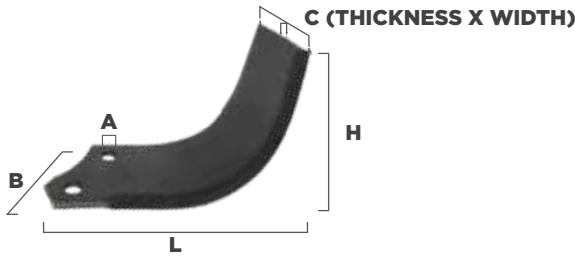
BRABER#	MASCHIO#	FITS MODELS	BOLT KIT	A	B	C	L	H
63.000.069	LH	40000404/5	L TL	12.5	40	60 X 5	180	110
63.000.068	RH	40000404/5						
63.000.033	LH	005-66-103/153	R/L (OLD STYLE)	12.5	65	60 X 6	195	83
63.000.032	RH	005-66-103/153						
63.000.037	LH	021-08-433	NC/PS/Z TN/TP/TZ	14.5	56	80 X 6	192	135
63.000.036	RH	021-08-432						
63.000.050	LH	201-00-413	G TG	16	68	90 X 10	265	145
63.000.050HS								
63.000.051	RH	201-00-412	K TK	10.5	56	60 X 6	174	57
63.000.051HS								
63.000.055	LH	211-00-413	U/US/UZ TU/TUS/TUZ	14.5	48	80 X 6	160	132
63.000.055HS								
63.000.054	RH	211-00-412	W/TW OLDSTYLE	12.5	45	60 X 5.5	180	117
63.000.054HS								
63.000.062	LH	291-00-405	W/TW NEW STYLE	12.5	60	60 X 6	178	117
63.000.063	RH	291-00-406						
63.000.066	LH	480-00-404	A/E/H/KS/AL TA/TE/TKS	12.5	44	70 X 6	190	115
63.000.067	RH	480-00-405						
63.000.068	RH	731-00-404	BI/B/C/AS/SC TBI/TB/TC/TSC	14.5	56	80 X 8	215	142
63.000.069	LH	731-00-405						
63.000.049	LH	191-00-424	NEW STYLE PANTERA	16	56	90 X 10	175	150
63.000.048	RH	191-00-423						
63.000.039	LH	011-10-427	NEW STYLE PANTERA	16	56	90 X 10	175	150
63.000.039HS								
63.000.038	RH	011-10-426	NEW STYLE PANTERA	16	56	90 X 10	175	150
63.000.038HS								
63.000.414	RH	094-00-414	NEW STYLE PANTERA	16	56	90 X 10	175	150
63.000.415	LH	094-00-415						
63.000.414TS	RH	094-00-423						
63.000.415TS	LH	094-00-424						

MULTIVATOR

BRABER#	MULTIVATOR#	FITS MODELS	BOLT KIT	A	B	C	L	H
63.000.075	LH	185L / 185LH	FP6	10.5	31.5	55 X 6	150	54
63.000.075HS								
63.000.074	RH	184R / 184LH	FCSR	12.5	40	65 X 6	170	70
63.000.074HS								
63.000.077	LH	FPSL / FPSLH	FCSR	12.5	40	65 X 6	170	70
63.000.077HS								
63.000.078	RH	FPSR / FPSRH	FCSR	12.5	40	65 X 6	170	70
63.000.078HS								

HS: HARDSURFACED ONE SIDE
TS: HARDSURFACED BOTH SIDES

ALL MEASUREMENTS ARE IN MILLEMMETERS UNLESS OTHERWISE STATED (1" = 25.4MM)
THESE ITEMS ARE NOT ORIGINAL EQUIPMENTS PARTS



C SHAPED TILLAGE BLADES

THE "C" BLADE IS A GENERAL PURPOSE TILLAGE BLADE THAT CREATES LESS HARDPAN. C BLADES HAVE A SELF CLEANING CAPABILITY DUE TO A WIPING MOTION.

NORTHWEST

BRABER#		NORTHWEST#	FITS MODELS	BOLT KIT	A	B	C	L	H
63.100.039HS	LH	RB39L	SABRE	05.000.011	16.5	56	98 X 10	130	100
63.100.040HS	RH	RB40R							

OROTLAN

BRABER#		OROTLAN#	FITS MODELS	BOLT KIT	A	B	C	L	H
63.000.033	LH	566153	L/S	05.000.006	12.5	65	60 X 6	195	83
63.000.032	RH	566103							
63.000.039	LH	N/A	H/P	05.000.007	14.5	56	80 X 8	215	142
63.000.038	RH	N/A							

SICMA

BRABER#		SICMA#	FITS MODELS	BOLT KIT	A	B	C	L	H
63.000.121	LH	4811680	SA	05.000.002	12.5	40	60 X 6	175	110
63.000.120	RH	4811681							
63.000.039	LH	4814783	SP	05.000.007	14.5	56	80 X 8	215	142
63.000.038	RH	4814784							

YANMAR

BRABER#		YANMAR#	FITS MODELS	BOLT KIT	A	B	C	L	H
63.000.033	LH	412129	YKT/YHT-60	05.000.006	12.5	65	60 X 6	195	83
63.000.032	RH	412130							

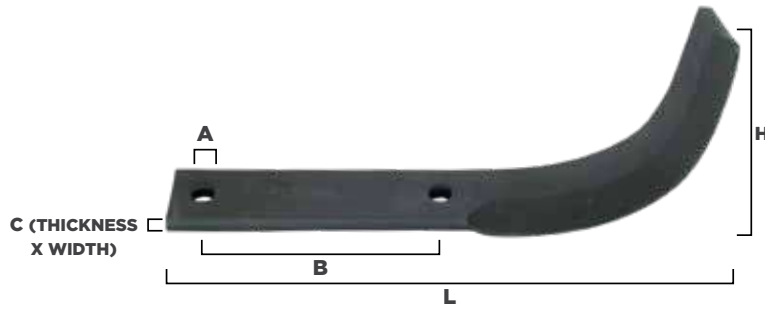


CARRARO

BRABER#		CARRARO#	FITS MODELS	BOLT KIT	A	B	C	L	H
63.000.092	LH	98712	28/29 (3 HOLE)	05.000.006	12.5	57-34	80 X 7	182	130
63.000.093	RH	98713							

HS: HARDSURFACED ONE SIDE
TS: HARDSURFACED BOTH SIDES

ALL MEASUREMENTS ARE IN MILLEMMETERS UNLESS OTHERWISE STATED (1" = 25.4MM)
THESE ITEMS ARE NOT ORIGINAL EQUIPMENTS PARTS



J SHAPED TILLAGE BLADES

THE "J" BLADE IS A GENERAL PURPOSE TILLAGE BLADE THAT CREATES LESS HARDPAN. J BLADES HAVE A SELF CLEANING CAPABILITY DUE TO A WIPING MOTION.

KRONE

BRABER#		KRONE#	FITS MODELS	BOLT KIT	A	B	C	L	H
63.000.003	LH	034-109-0	RL	05.000.006	12.5	120	40 X 8	268	102
63.000.004	RH	034-020-0							

MURATORI

BRABER#		MURATORI#	FITS MODELS	BOLT KIT	A	B	C	L	H
63.000.140	LH	57	MA	05.000.006	12.5	123	60 X 6	275	120
60.000.141	RH	65							

* WHILE SUPPLIES LAST

QUICK FIT BLADES



MASCHIO

BRABER#			MASCHIO#	FITS MODELS	A	L	H
63.000.366	LH	CW	361-00-366	MEGA/ JUMBO/ DM/ AQUILA	15	320	110
63.000.367	RH	CCW	361-00-367				

POWER HARROW BLADES



MASCHIO

BRABER#			MASCHIO#	FITS MODELS	BOLT KIT	A	B	C	L	H
63.000.061	LH	CW	271-00-209	DL/DC/DS/ TD/TDL/TDC/TDS	04.016.050 GRADE 10.9	16.5	50	90 X 10	280	101
63.000.060	RH	CCW	271-00-210							
63.000.170	LH	CW	361-00-210	DM/TDM	04.016.050, 04.016.065SPC OR 04.016.055	16.5	60	100 X 12	300	101
63.000.171	RH	CCW	361-00-211							
63.000.172	LH	CW	611-00-229	MEGA	04.018.059 GRADE 10.9	18.5	70	110 X 15	320	110
63.000.173	RH	CCW	611-00-230							

ROTO SPIKE BLADES



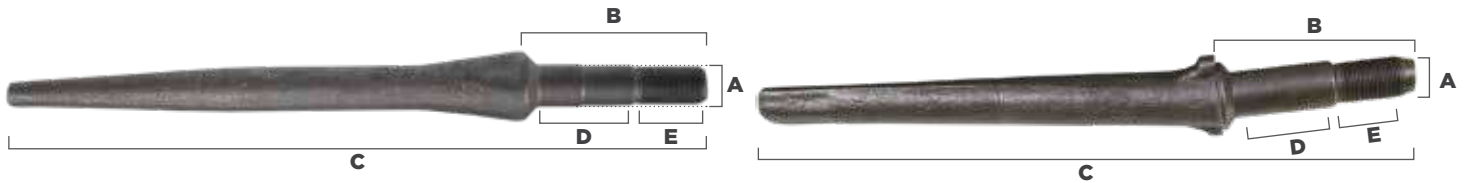
MASCHIO

BRABER#			MASCHIO#	FITS MODELS	BOLT KIT	A	B	C	L
63.000.070	LH		261-00-417	MASCHIO COBRA/SUPER COBRA/ FALCON/SUPER FALCON	05.000.007	14.5	44	80X8	185
63.000.071	RH		261-00-418						

HS: HARDSURFACED ONE SIDE
TS: HARDSURFACED BOTH SIDES

ALL MEASUREMENTS ARE IN MILLEMETERS UNLESS OTHERWISE STATED (1" = 25.4MM)
THESE ITEMS ARE NOT ORIGINAL EQUIPMENTS PARTS

POWER HARROW SPIKES



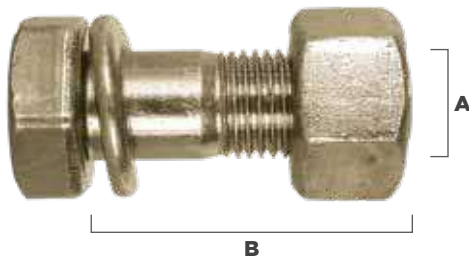
VICON

BRABER#	VICON#	FITS MODELS	NUT	WASHER	A	B	C	D	E
63.000.076	900-44-100	SE2-300/450	305-69-910	314-55-910	20	93	365	48	38

LELY

BRABER#	LELY#	SUPPORTING NUT	SUPPORTING WASHER	A	B	C	D	E
63.000.024	1160603150	305-69-910*	314-55-910*	20X1.5	95	365	60	32

BOLT ASSEMBLIES



TILLER BOLT ASSEMBLIES

BRABER#	MODELS	A	B	GRADE
05.000.001	HOWARD P, KUHN BL30/35/45, YANMAR YMT/YHT50, AGRIC A, TILLIT LTD/MTD, KUBOTA FL TILLER	7/16"	1-3/8"	10.9
05.000.002	HOWARD E, DOUGLAS HD 50/60, KUHN EL70/120, LANDPRIDE	1/2"	1-1/2"	10.9
05.000.005	MASCHIO K, TERRANOVA TK, CARONI FL, MEARELLI FP, SOVEMA LASER	10	30	8.8
05.000.006	MASCHIO A/E/R/KS/W, TERRANOVA TA/TE/KS/W, MP TL/TLS, PEGORARO TL/TLS	12	35	10.9
05.000.007	MASCHIO BI/B/N/P/Z/C/SC/US/UZ TERRANOVA TB/TN/TP/TZ/TC/TSC/TB1 KUHN EL-80, MALLETTI, ORTOLAN 45H/P, SOVEMA SE/SECS/SE/S, LANDPRIDE 35, PEGORARO DL/LN, MURATORI MH/MHC	14	40	10.9
05.000.008	MASCHIO S/G, TERRANOVA TS/TG, HOWARD S	16	45	8.8
05.000.009	MASCHIO S/G/D, TERRANOVA TS/TG/TD, NORTHWEST	16	60	10.9
05.000.010	MASCHIO L/HB/HM, TERRANOVA TL/TH/TM, KUHN EL25, CARRARO 27/28/29, DOUGLAS LD-40/48/60, YANMAR YKT/YHT-60, MUROTOR MA, LANDPRIDE 25/1550, SOVEMA SP/SPS/SE/SEC/SPC	12	45	8.8
05.000.011	NORTHWEST SABRE	16	5	10.9
05.000.012	NORTHWEST SABRE	14	35	8.8

HS: HARDSURFACED ONE SIDE
TS: HARDSURFACED BOTH SIDES

ALL MEASUREMENTS ARE IN MILLEMETERS UNLESS OTHERWISE STATED (1" = 25.4MM)
THESE ITEMS ARE NOT ORIGINAL EQUIPMENTS PARTS

Xstream[®] hi-flex

HYBRID PVC MATERIAL IS LIGHTWEIGHT AND FLEXIBLE
STAYS FLEXIBLE IN COLD WEATHER UP TO -40°
KINK RESISTANT
LAYS FLAT AND EASY TO COIL

- 5/8" or 3/4" High Flex Polymer
- Nylon braid
- Smooth cover
- 150PSI
- Yellow
- Nickel plated brass fittings
- Bend restrictors

50FT HIGH FLEXIBILITY GARDEN HOSE
5/8" HIGH FLEX POLYMER
PART# 90.358.051



50FT HIGH FLEXIBILITY GARDEN HOSE
3/4" HIGH FLEX POLYMER
PART# 90.375.051

100FT HIGH FLEXIBILITY GARDEN HOSE
3/4" HIGH FLEX POLYMER
PART# 90.375.101



50 FT HD GARDEN HOSE
KINK RESISTANT HOSE, CRUSH RESISTANT
BRASS FITTINGS, 3/4" X 50', 145 PSI
3.75MM THICK PVC/RUBBER, BLUE
PART# 90.375.050



PART#	90.375.050
SIZE	3/4" X 50'
COLOUR	BLUE
PSI RATING	145 PSI

GARDEN HOSES & ACCESSORIES

NYLON SHUTOFF
NYLON INLINE SHUT OFF
PART# GHV-1



NYLON SHUTOFF
NYLON INLINE SHUT OFF
PART# GHV-2



BRASS SHUTOFF
BRASS INLINE SHUT OFF
PART# 91.900.074



BRASS Y SHUTOFF
BRASS Y SHUT OFF, SWIVEL
PART# 91.900.073



BRASS BALL VALVE
BRASS INLINE SHUT OFF
PART# 91.900.075



MULTI-SPRAY GUN
8 FUNCTION ZINC ALLOY
W/SOFT GRIP
PART# 90.300.011



GARDEN SPRAY GUN
ADJ BRASS TIP ZINC BODY
PART# 90.300.010



GARDEN SPRAY GUN
4" ADJ BRASS NOZZLE W/
RUBBER GRIP
PART# 90.300.012



HD SPRAY GUN
INDUSTRIAL SPRAY GUN
350 PSI, 16 GPM
PART# 85.205.020



SPRAY GUN

8 SPRAY PATTERNS, FLOW CONTROL, SOFT TOUCH TRIGGER
REAR FLOW CONTROL WITH VARIABLE FLOW FROM 50%-100%
PART# SX-21002

*ALL SPRAY NOZZLES COME
WITH REMOVABLE
QUICK COUPLER INSERT

**SPRAY GUN**

3 SPRAY PATTERNS, FLOW CONTROL,
SOFT TOUCH TRIGGER
REAR FLOW CONTROL WITH VARIABLE FLOW FROM
50%-100%
PART# SX-21003

*ALL SPRAY NOZZLES COME
WITH REMOVEABLE QUICK
COUPLER INSERT

**SPRAY GUN**

3 SPRAY PATTERNS, FLOW CONTROL,
SOFT TOUCH TRIGGER
REAR FLOW CONTROL WITH VARIABLE
FLOW FROM 50%-100%
PART# SX-21004

*ALL SPRAY NOZZLES COME
WITH REMOVEABLE QUICK
COUPLER INSERT

**SPRAY GUN**

8 SPRAY PATTERNS, FLOW CONTROL, SOFT
TOUCH TRIGGER
REAR FLOW CONTROL WITH VARIABLE FLOW
FROM 50%-100%
PART# SX-31001

*ALL SPRAY NOZZLES COME
WITH REMOVEABLE QUICK
COUPLER INSERT



**COMMERCIAL GRADE
HANDHELD SPRAYER, 1L**
PART# 90.704.001



**COMMERCIAL GRADE
HANDHELD SPRAYER, 2L**
PART# 90.704.002



**COMMERCIAL GRADE
HANDHELD SPRAYER, 4L**
PART# 90.704.004



**COMMERCIAL GRADE
HANDHELD SPRAYER, 6L**
PART# 90.704.006

- Lightweight and easy to use
- Handle action piston pump
- Easy to use spot spray wand
- Single conical spray tip
- Pressure relief valve
- Ergonomic handle
- Large mouth for filling



**COMMERCIAL GRADE
HANDHELD SPRAYER, 8L**
PART# 90.704.008

- Lightweight and easy to use handle action piston pump
- Easy to use spot spray wand
- Single conical spray tip
- Pressure relief valve
- Ergonomic handle
- Large mouth for easy filling



**INDUSTRIAL GRADE
HANDHELD SPRAYER, 8L**
PART# 90.703.008

- Viton Seals
- Brass Fitting
- Clear Reinforced Hose



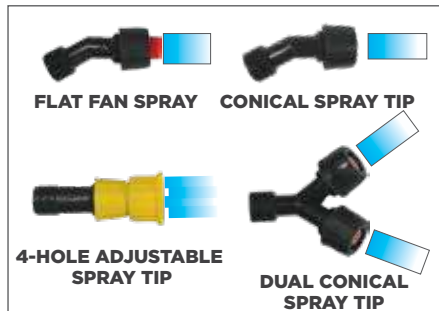
**INDUSTRIAL GRADE
HANDHELD SPRAYER, 12L**
PART# 90.703.012

- Viton seals
- Brass fitting
- Clear reinforced hose



INDUSTRIAL GRADE BACKPACK SPRAYER, 16 L PART# 90.704.016

- Lightweight and easy to use
- Comes with 4 spray tips
- Large opening lid
- New padded straps
- Carry handle
- Lever action piston pump
- Lance clip
- New quick fitting harness clips
- Quality seals
- Built-in screens



INDUSTRIAL GRADE PULL BEHIND SPRAYER, 16 L PART# 90.710.016

- No lifting required
- Ergonomic handle
- Pressure relief valve
- Lightweight and easy to use
- Handle action piston pump
- Single conical spray tip
- Easy to use spot spray wand
- Large mouth for easy filling
- Pull-type handcart design



LITHIUM-ION POWERED SPRAYERS

LITHIUM-ION BACKPACK OR PULL BEHIND SPRAYER

PART# 90.709.016

BATTERY: LITHIUM-ION TECHNOLOGY

- Input: 7.2v
- On/off switch prevents back flow
- Quick wand nozzle for any direction
- Quick spring hose
- Quick nozzle adjusts from mist to straight jet
- Electronic overload protection
- Lithium-ion battery pack. Quick charger and slow charger with electronic protection
- Three perfect spraying modes by easy switch
- Long life: 200 hours
- Safety trigger: avoiding misoperation
- Rubber over-moulded grip
- Operator can choose tracking (pulling) or backpacking

APPLICATIONS:

- Gardening
- Fertilizer
- Pesticides
- Disinfectant
- Rinse
- Cleaning filter of air conditioner



18V LITHIUM ION BACKPACK SPRAYER

PART# 90.709.015

FOUR MODES



- Battery: lithium-ion technology
- Input: 14.4 V, 2.15 Ah
- Liquid flow: 1.8 L/min
- Spray distance: > 5m
- Work time: 40 min
- Charge time: 2.5 Hours



LITHIUM-ION DELUXE ROLL & SPRAY

PART# 90.709.030

- Battery: lithium-ion technology
- Input: 18 v, 2.2 Ah
- Liquid flow: 2.4 L/min
- Spray distance: > 10m
- Work time: 45-65 min
- Charge time: 2.5 Hours



PORTABLE SPRAYER

9 GALLON, 12V
PART# 90.700.100



- 12V DC pump
- Replacement drain fitting with cap
- Trigger gun with 20" chromed lance
- Nozzle adjusts from mist to solid stream
- 15' of 1/4" coiled hose
- 5" screw on lid

PULL SPRAYER

9 GALLON, 12V
PART# 90.709.014

- Adjustable handle for easy storage
- Spot spray gun with coiled hose
- 2 hr run time on single charge
- Rechargeable 12V battery
- 12" wheels
- 9 Gallon Tank
- Includes hitch bar for towing
- 18' Vertical and 20' horizontal spray
- Front mounted nozzle with 50" swath



15 GALLON TANK MODEL
15' HOSE WITH U45050000 GUN,
1.0 GPM 12 VOLT PUMP
PART# 90.700.150

15 GALLON REPLACEMENT TANK
PART# 90.700.155



25 GALLON TANK MODEL
15' HOSE WITH U45050000 GUN, 1.0
GPM 12 VOLT PUMP
PART# 90.700.250

7' SPRAY COVERAGE



OPTIONAL ACCESSORIES

PART#	DESCRIPTION
90.700.302	STRAIGHT BOOM, 2 NOZZLES USE WITH A MIN 1.8GPM PUMP*
90.700.303	BRACKET KIT FOR ATV, SINGLE
90.700.306	BOOMLESS NOZZLE KIT, SINGLE

***NOTE: WHEN ADDING SPRAY BOOM KITS,
MUST UPGRADE TO A MIN 1.8GPM PUMP.
PUMP SOLD SEPARATELY.**



**25 GALLON TANK MODEL
2 NOZZLE FIXED BOOM
INCLUDES TANK, ATV MOUNT & BOOM
PART#90.712.250**



- 12V demand pump 2.2 GPM Everflo
- Chemical resistant polyethylene tank
- 5" Fill lid with tether
- Glyphosate compatible
- 12 Volt connection cables
- 7' Coverage, 2 nozzle folding boom
- Adjustable flow control & pressure gauge
- Adjustable pressure with return to tank
- Adjustable brackets for perfect boom height
- 18" handgun with 15 foot hose
- Adjustable cone spray nozzle
- 1 year warranty on manufacturing defects on pump and components

**FULLY
BOXED**
MINOR
ASSEMBLY
REQUIRED

**25 GALLON TANK MODEL
3 NOZZLE FOLDING BOOM
INCLUDES TANK, ATV MOUNT & BOOM
PART#90.713.250**



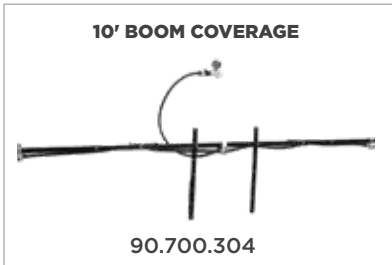
- 12V demand pump 2.2 GPM Everflo
- Chemical resistant polyethylene tank
- 5" fill lid with tether
- Glyphosate compatible
- 12 volt connection cables
- 10', coverage, 3 nozzle boom
- Adjustable flow control & pressure gauge
- Adjustable pressure with return to tank
- Adjustable brackets for perfect boom height
- 18" handgun with 15 foot hose
- Adjustable cone spray nozzle
- 1 year warranty on manufacturing defects on pump and components

**FULLY
BOXED**
MINOR
ASSEMBLY
REQUIRED

15 GALLON TANK MODEL
15' HOSE WITH U45050000 GUN
2.0 GPM 12 VOLT PUMP
PART#90.800.150

- 72" 2 Nozzle spray boom coverage
- Powder coated frame
- 10" Pneumatic tires
- Pressure gauge

OPTIONAL SPRAY BOOMS



25 GALLON TANK MODEL
15' HOSE WITH U45050000 GUN
2.0 GPM 12 VOLT PUMP
PART#90.800.250



OPTIONAL SPRAY BOOMS

PART#	DESCRIPTION
90.700.304	FOLDING BOOM KIT, 10' COVERAGE 3 NOZZLE
90.700.314	FOLDING BOOM, 4 NOZZLES, 14' COVERAGE USE WITH A MIN 1.8GPM PUMP
90.700.306	BOOMLESS NOZZLE KIT, SINGLE
90.700.307	BOOMLESS NOZZLE KIT, DOUBLE

40 GALLON TRAILER LAWN SPRAYER

PART# 90.800.400

**CHEMICAL RESISTANT POLYETHYLENE TANK**

- 2.2 Everflo pump
- 3 Section folding breakaway boom
- 18" Handgun with 15ft of hose
- Adjustable cone spray nozzle
- On-off boom control
- 120" Boom spray coverage
- Adjustable pressure w/ return to tank
- Glyphosate compatible

ALL MODELS COME WITH PUMP, FLOW CONTROL VALVE, SPOT GUN & BOOM**40 GALLON TANK MODEL**

- 40 Gallon 3 Pt, 3 nozzle boom
- 10' Spray Coverage
- 12V pump

PART# BE-RMES40

40 GALLON TANK MODEL

- 40 Gallon 3 pt
- Roller Pump & control
- 3 nozzle boom
- 10' spray coverage

PART# BE-RMS40

60 GALLON TANK MODEL

- 60 Gallon 3 Pt, 3 nozzle boom
- 10' Spray Coverage
- 12V pump

PART# BE-RMES60

60 GALLON TANK MODEL

- 60 Gallon 3 Pt
- Roller Pump & Control
- 3 nozzle boom
- 10' Spray Coverage

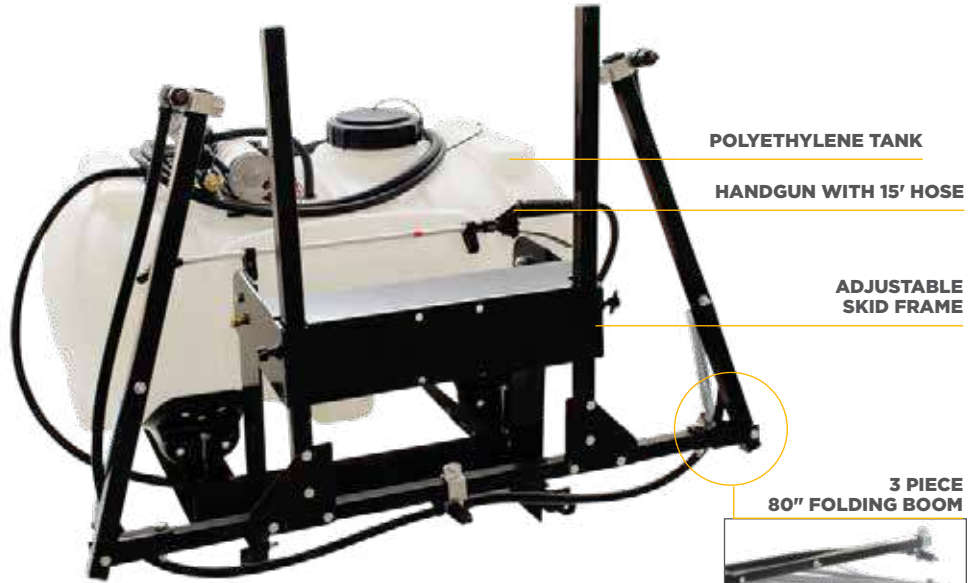
PART# BE-RMS60



40 GALLON RTV MOUNTED SPRAYER WITH BOOM AND SPOT WAND PART# BE-RTVMS40

ADDITIONAL FEATURES

- Everflo 12 volt pump
- 2.2 GPM / 8.3 LPM, 70 psi / 4.5 Bars
- Fits most RTV boxes
- Adjustable relief valve with gauge
- 3 nozzles
- Includes remote switch
- Adjustable height
- Rubber bumpers ensure a snug fit over the ATV tailgate to minimize sliding in box



POLYETHYLENE TANK

HANDGUN WITH 15' HOSE

ADJUSTABLE
SKID FRAME

3 PIECE
80" FOLDING BOOM



FLEXIBLE SPRING
LOADED BOOM

**FULLY
BOXED**
MINOR
ASSEMBLY
REQUIRED

ATV SPRAYERS

PART #	BE-RTVMS40	BE-RTVMS60
CAPACITY	40 GAL	60 GAL
PUMP	EVERFLO 12V	EVERFLO 12V

40 GALLON SKID MOUNT SPRAYER PART# BE-SMSE40-10

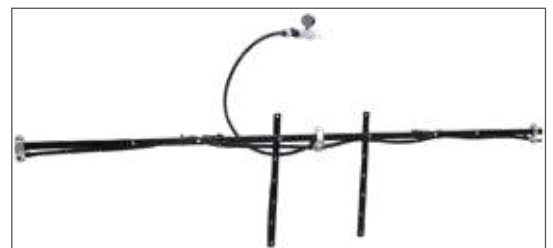
ADDITIONAL FEATURES

- 1.8 or 2.0 GPM 12V pump
- Boom, 120" spray
- Pressure control



HANDGUN WITH 15' HOSE

3 SECTION
10' COVERAGE BOOM



FOLDING BOOM

SKID MOUNT SPRAYERS

PART #	BE-SMSE40-10	BE-SMSE60-10
CAPACITY	40 GAL	60 GAL

**PORTABLE SPOT SPRAYER
WITH HONDA ENGINE / AR30 PUMP & HOSE REEL
400 LITRES/ 105 GALLONS
PART# 90.830.400**



PUMP FEATURES

- AR30 pump: max PSI: 580, max GPM: 9.3
- Honda GX200 - 6.5 hp engine
- Tank agitator

HOSE REEL FEATURES

- 150 ft of 3/8" hose (max PSI: 700)
- 150 ft hose reel rated for 5000 PSI
- A-frame design
- Stainless steel fittings

TANK FEATURES

- Pallet fork inserts
- Water fill screen
- Tie-down inserts
- Additional bolt mounts for other accessories



PALLET FORK INSERTS



HOSE REEL

**PORTABLE SPOT SPRAYER
WITH 12V PUMP & HOSE REEL
PART# 90.870.400**



SPRAYER FEATURES

- 90.787.101Y 12V Pump
- Max 100 PSI @ 2.55 GPM
- Max 7 GPM @ 10 PSI
- Tank agitator

TANK FEATURES

- Pallet fork inserts
- Water fill screen
- Tie-down inserts
- Additional bolt mounts for other accessories



PALLET FORK INSERTS



12V DC CLAMPS

****ACTUAL PRODUCT MAY NOT
BE EXACTLY AS PICTURED****

**PORTABLE FIRE SUPPRESSION TANK
PART# 90.890.400**

SPRAYER FEATURES

- 196cc Honda GX200
- Recoil start and low oil shutdown
- 78 GPM max flow
- 110 PSI max
- 120' Total lift, 26' suction lift
- 1 X 1.5" MNPSH inlet/outlet
- 2 X 1" outlet
- Spark arrestor

TANK FEATURES

- Pallet fork inserts
- Water fill screen
- Tie-down inserts
- Additional bolt mounts for other accessories



****ACTUAL PRODUCT MAY NOT BE EXACTLY AS PICTURED**
(SUBJECT TO CHANGE)**

****PLEASE SEE WEBSITE FOR MORE INFORMATION**



MODEL NO. AR70

LOW PRESSURE EPOXY COATED 2 DIAPHRAGM PUMPS

PART #	90.100.070	90.102.070
DESCRIPTION	1-3/8" 6 SPLINE INPUT NO-THRU	35MM ROUND BORE INPUT NO-THRU
WEIGHT	26 LBS	26 LBS
MAXIMUM FLOW	19.6 GPM / 74.1 LPM	19.6 GPM / 74.1 LPM
MAXIMUM PRESSURE	290 PSI / 20 BAR	290 PSI / 20 BAR
MAXIMUM RATED SPEED	550 RPM	550 RPM
MAXIMUM FLUID TEMP	140F / 60C	140F / 60C



MODEL NO. AR160

LOW PRESSURE EPOXY COATED 4 DIAPHRAGM PUMP

PART #	90.100.160
DESCRIPTION	1 3/8" 6SP X 1-3/8 6 SP THRU SHAFT
WEIGHT	66 LBS
MAXIMUM FLOW	42.5 GPM / 160.9 LPM
MAXIMUM PRESSURE	290 PSI / 20 BAR
MAXIMUM RATED SPEED	550 RPM
MAXIMUM FLUID TEMP	140F / 60C



MODEL NO. AR115

LOW PRESSURE EPOXY COATED 3 DIAPHRAGM PUMPS

PART #	90.100.115	90.102.115
DESCRIPTION	1 3/8" 6 SPLINE INPUT NO-THRU	35MM ROUND BORE INPUT NO-THRU
WEIGHT	34.2 LBS	34.2 LBS
MAXIMUM FLOW	28.5 GPM / 107.9 LPM	28.5 GPM / 107.9 LPM
MAXIMUM PRESSURE	290 PSI / 20 BAR	290 PSI / 20 BAR
MAXIMUM RATED SPEED	550 RPM	550 RPM
MAXIMUM FLUID TEMP	140F / 60C	140F / 60C



MODEL NO. AR30

MEDIUM PRESSURE EPOXY COATED 2 DIAPHRAGM PUMPS

PART #	90.100.030	90.101.030	90.103.030
DESCRIPTION	3 BOLT INPUT FLANGE NO THRU SHAFT	3 BOLT INPUT FLANGE 3/4" KEYED THRU SHAFT	3 BOLT INPUT FLANGE 1 3/8" 6 SPLINE THRU SHAFT
WEIGHT	20.5 LBS	20.5 LBS	20.5 LBS
MAXIMUM FLOW	9.6 GPM / 36.2 LPM	9.6 GPM / 36.2 LPM	9.6 GPM / 36.2 LPM
MAXIMUM PRESSURE	580 PSI / 40 BAR	580 PSI / 40 BAR	580 PSI / 40 BAR
MAXIMUM RATED SPEED	550 RPM	550 RPM	550 RPM
MAXIMUM FLUID TEMP	140F / 60C	140F / 60C	140F / 60C



MODEL NO. AR50

MEDIUM PRESSURE EPOXY COATED 2 DIAPHRAGM PUMPS

PART #	90.100.050	90.101.050	90.103.050
DESCRIPTION	3 BOLT INPUT FLANGE NO THRU SHAFT	3 BOLT INPUT FLANGE 1" KEYED THRU SHAFT	3 BOLT INPUT FLANGE 1 3/8" 6 SPLINE THRU SHAFT
WEIGHT	39.3 LBS	39.3 LBS	39.3 LBS
MAXIMUM FLOW	17.4 GPM / 65.8 LPM	17.4 GPM / 65.8 LPM	17.4 GPM / 65.8 LPM
MAXIMUM PRESSURE	580 PSI / 40 BAR	580 PSI / 40 BAR	580 PSI / 40 BAR
MAXIMUM RATED SPEED	550 RPM	550 RPM	550 RPM
MAXIMUM FLUID TEMP	140F / 60C	140F / 60C	140F / 60C



MODEL NO. AR813

HIGH PRESSURE ANODIZED ALUMINUM 3 DIAPHRAGM PUMP

PART #	90.100.813
DESCRIPTION	3 BOLT INPUT FLANGE 1 3/8" 6 SPLINE THRU SHAFT
WEIGHT	46 LBS
MAXIMUM FLOW	21.1 GPM / 79.9 LPM
MAXIMUM PRESSURE	725 PSI / 50 BAR
MAXIMUM RATED SPEED	550 RPM
MAXIMUM FLUID TEMP	140F / 60C



MODEL NO. AR503

MEDIUM PRESSURE ANODIZED ALUMINUM 3 DIAPHRAGM PUMPS

PART #	90.100.503	90.101.503
DESCRIPTION	3 BOLT INPUT FLANGE NO THRU SHAFT	3 BOLT INPUT FLANGE 1-3/8" 6 SP THRU SHAFT
WEIGHT	26 LBS	26 LBS
MAXIMUM FLOW	14.3 GPM / 54.1 LPM	14.3 GPM / 54.1 LPM
MAXIMUM PRESSURE	580 PSI / 40 BAR	580 PSI / 40 BAR
MAXIMUM RATED SPEED	550 RPM	550 RPM
MAXIMUM FLUID TEMP	140F / 60C	140F / 60C



MODEL NO. AR1064

HIGH PRESSURE ANODIZED ALUMINUM 4 DIAPHRAGM PUMPS

PART #	90.101.064	90.102.064
DESCRIPTION	1-3/8" 6 SPLINE THRU SHAFT	3 BOLT INPUT FLANGE 1-3/8" 6 SPLINE THRU SHAFT
WEIGHT	52 LBS	52 LBS
MAXIMUM FLOW	28.7 GPM / 108.6 LPM	28.7 GPM / 108.6 LPM
MAXIMUM PRESSURE	725 PSI / 50 BAR	725 PSI / 50 BAR
MAXIMUM RATED SPEED	550 RPM	550 RPM
MAXIMUM FLUID TEMP	140F / 60C	140F / 60C



MODEL NO. AR1203

HIGH PRESSURE ANODIZED ALUMINUM 3 DIAPHRAGM PUMPS

PART #	90.101.203	90.102.203
DESCRIPTION	3 BOLT INPUT FLANGE 1 3/8" 6 SPLINE THRU SHAFT	1 3/8" 6 SPLINE THRU SHAFT
WEIGHT	69 LBS	69 LBS
MAXIMUM FLOW	30.6 GPM / 115.83 LPM	30.6 GPM / 115.83 LPM
MAXIMUM PRESSURE	725 PSI / 50 BAR	725 PSI / 50 BAR
MAXIMUM RATED SPEED	550 RPM	550 RPM
MAXIMUM FLUID TEMP	140F / 60C	140F / 60C

SPRAYER ASSEMBLY 7HP POWEREASE ENGINE & COMET APS 41 PUMP PART# 90.800.016



* REGULATOR NOT INCLUDED.
* LIMITED STOCK

SPRAYER ASSEMBLY 6.5HP GX200 HONDA ENGINE & AR 30 PUMP PART# 90.800.005



REMOTE MOUNT KIT FOR G140 CONTROL PART# 90.200.041



POWEREASE



PART #	85.570.070	85.570.150	85.575.150
ENGINE TYPE	AIR-COOLED 4-STROKE OHV	AIR-COOLED 4-STROKE OHV	AIR-COOLED 4-STROKE OHV
DISPLACEMENT	212CC	420CC	420CC
STARTING SYSTEM	RECOIL	RECOIL	ELECTRIC
IGNITION SYSTEM	TRANSISTORIZED MAGNETO	TRANSISTORIZED MAGNETO	TRANSISTORIZED MAGNETO
COMPRESSION RATIO	8.5:1	8.2:1	8.2:1
AMP CHARGE	N/A	N/A	18
FUEL TANK CAPACITY	3.6 LITRES	6.7 LITRES	6.7 LITRES
FUEL	UNLEADED 86 OCTANE OR HIGHER	UNLEADED 86 OCTANE OR HIGHER	UNLEADED 86 OCTANE OR HIGHER
CARBURETOR	HORIZONTAL TYPE BUTTERFLY VALVE	HORIZONTAL TYPE BUTTERFLY VALVE	HORIZONTAL TYPE BUTTERFLY VALVE
LUBRICATION SYSTEM	SPLASH	SPLASH	SPLASH
OIL CAPACITY	0.6 LITRES (0.63 U.S. QTS)	1.1 LITRES (1.16 U.S. QTS)	1.1 LITRES (1.16 U.S. QTS)
LOW OIL SHUTDOWN	YES	YES	YES
SHAFT SIZE	3/4" STRAIGHT KEYED	1" STRAIGHT KEYED	1" STRAIGHT KEYED
KEY WAY SIZE	3/16" X 1.75"	1/4" X 2.2"	1/4" X 2.2"
SHAFT ROTATION	COUNTERCLOCKWISE	COUNTERCLOCKWISE	COUNTERCLOCKWISE
NET TORQUE	9.1 LB-FT (12.4 NM) @ 2,500 RPM	17.8 LB-FT (24 NM) @ 2,500 RPM	17.8 LB-FT (24 NM) @ 2,500 RPM
NET POWER OUTPUT*	6.03HP (4.5 KW) @ 3,600 RPM	12.6 HP (9.4 KW) @ 3,600 RPM	12.6 HP (9.4 KW) @ 3,600 RPM
PTO BOLT SIZE	5/16-24 UNF	3/8-24 UNF	3/8-24 UNF
BORE X STROKE	68 mm x 54 mm	88 mm x 64 mm	88 mm X 64 mm
AIR CLEANER	DUAL ELEMENT	DUAL ELEMENT	DUAL ELEMENT
VALVE CLEARANCE	0.06" INTAKE 0.08" OUTTAKE	0.06" INTAKE 0.08" OUTTAKE	0.06" INTAKE 0.08" OUTTAKE
DRY WEIGHT	35 LBS	68 LBS	70 LBS
SHIPPING (LxWxH)	15.15" x 13.38" x 13.38"	16.14" x 17.71" x 17.71"	16.14" x 17.71" x 17.71"

MEDIUM/HIGH PRESSURE DIAPHRAGM PUMP CONTROL UNIT

PART#	DESCRIPTION
90.200.900	CONTROL VALVE, AR GI40

MODEL NO. GI40

- Control unit with working pressure regulating valve and glycerine bath pressure gauge with colored dial
- Compatible Pumps: AR30, AR50, AR303, AR403, AR503, AR713, AR813
- Max Flow: 21.1 GPM
- Max Pressure: 580 PSI



HIGH PRESSURE DIAPHRAGM PUMP CONTROL UNIT

PART#	DESCRIPTION
90.200.050	CONTROL, AR VDR50

MODEL NO. VDR50

- Control unit with working pressure regulating valve, by-pass opening/closing lever and glycerine bath pressure gauge with colored dial
- Compatible Pumps: AR503, AR713, AR813, AR903, AR1053, AR1064, AR1203, BHA, BHS, BHP
- Max Flow: 34.3 GPM
- Max Pressure: 725 PSI



LOW PRESSURE DIAPHRAGM PUMP CONTROL UNIT

PART#	DESCRIPTION
90.200.005	CONTROL, VDR 20S

MODEL NO. VDR20S

- Remote control unit with working pressure regulating valve, bar feeding opening/closure lever and glycerine bath pressure gauge with colored dial
- Compatible Pumps: AR70BP, AR115BP, AR125BP, AR135BP
- Max Flow: 34.3 GPM
- Max Pressure: 290 PSI



LOW PRESSURE DIAPHRAGM PUMP CONTROL UNIT

PART#	DESCRIPTION
90.200.887	CONTROL, GS20S

MODEL NO. GS20S

- Remote control unit with working pressure regulating valve and glycerine bath pressure gauge with colored dial
- Compatible Pumps: AR70BP
- Max Flow: 13.2 GPM
- Max Pressure: 290 PSI



YELLOW PVC HOSE

PART#	DESCRIPTION
G961-038	3/8", 700 PSI, POLY BRAIDED 300' ROLL
G961-050	1/2", 700 PSI, POLY BRAIDED 300' ROLL

**** SOLD IN MULTIPLES OF 300FT ONLY****



SERIES 20

DUAL SCALE. ASME/ANSI B40.1 GRADE B (3-2-3%) THESE GAUGES ARE DESIGNED FOR USE WITH GAS, OIL, AND WATER OR ANY MEDIUM NOT CORROSIVE TO BRASS OR BRONZE.

SERIES 24

SINGLE SCALE. ASME/ANSI B40.1 GRADE B (3-2-3%) THESE GAUGES ARE DESIGNED FOR USE WITH GAS, OIL, AND WATER OR ANY MEDIUM NOT CORROSIVE TO BRASS OR BRONZE.

SERIES 40

DUAL SCALE. ASME/ANSI B40.1 GRADE A (2-1-2%) THESE GAUGES ARE DESIGNED FOR USE WITH ANY MEDIUM NOT CORROSIVE TO BRASS OR BRONZE. LIQUID-FILLED GAUGES ARE RECOMMENDED FOR REDUCING SHOCK CAUSED BY PRESSURE FLUCTUATIONS OR VIBRATION (STANDARD).

SERIES 41

SINGLE SCALE. ASME/ANSI B40.1 GRADE B (3-2-3%) THESE GAUGES ARE DESIGNED FOR USE WITH ANY MEDIUM NOT CORROSIVE TO BRASS OR BRONZE. LIQUID-FILLED GAUGES ARE RECOMMENDED FOR REDUCING SHOCK CAUSED BY PRESSURE FLUCTUATIONS OR VIBRATION.

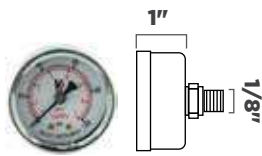
SERIES 54

SINGLE SCALE. ASME/ANSI B40.1 GRADE B (3-2-3%) THESE GAUGES ARE DESIGNED FOR USE WITH ANY MEDIUM NOT CORROSIVE TO STAINLESS STEEL. LIQUID-FILLED GAUGES ARE RECOMMENDED FOR REDUCING SHOCK CAUSED BY PRESSURE FLUCTUATIONS OR VIBRATION.

SERIES 80

SINGLE SCALE. ASME/ANSI B40.1 GRADE A (2-1-2%) THIS RUGGED PRODUCT EMPLOYS A 316 STAINLESS STEEL BOURDON TUBE, ASME GRADE A MOVEMENT, AND A STAINLESS STEEL SOCKET ALL HOUSED IN A CORROSIVE RESISTANT PAINTED STEEL CASE.

SERIES 20



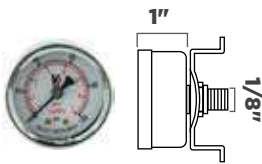
1.5" REAR MOUNT DRY GAUGE

PART #	DIAL SIZE	CASE/MOUNT STYLE	FILL MATERIAL	CASE MATERIAL	CONNECTION MATERIAL	PSI
85.410.060	1.5"	REAR	DRY	BLACK STEEL	BRASS	0 - 60
85.410.100	1.5"	REAR	DRY	BLACK STEEL	BRASS	0 - 100
85.410.160	1.5"	REAR	DRY	BLACK STEEL	BRASS	0 - 160
85.410.200	1.5"	REAR	DRY	BLACK STEEL	BRASS	0 - 200

RETAIL VERSIONS

85.410.200BP	1.5"	REAR	DRY	BLACK STEEL	BRASS	0 - 200
--------------	------	------	-----	-------------	-------	---------

SERIES 20

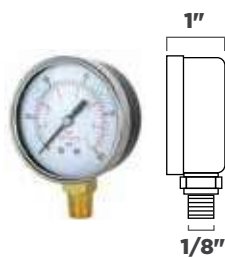


1.5" PANEL MOUNT DRY GAUGE

PART #	DIAL SIZE	CASE/MOUNT STYLE	FILL MATERIAL	CASE MATERIAL	CONNECTION MATERIAL	PSI
85.411.015	1.5"	PANEL	DRY	BLACK STEEL	BRASS	0 - 15
85.411.060	1.5"	PANEL	DRY	BLACK STEEL	BRASS	0 - 60
85.411.160	1.5"	PANEL	DRY	BLACK STEEL	BRASS	0 - 160
85.411.200	1.5"	PANEL	DRY	BLACK STEEL	BRASS	0 - 200

WITH MOUNTING BRACKET

SERIES 20



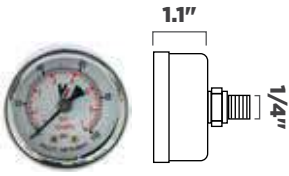
1.5" BOTTOM MOUNT DRY GAUGE

PART #	DIAL SIZE	CASE/MOUNT STYLE	FILL MATERIAL	CASE MATERIAL	CONNECTION MATERIAL	PSI
85.415.015	1.5"	BOTTOM	DRY	BLACK STEEL	BRASS	0 - 15
85.415.060	1.5"	BOTTOM	DRY	BLACK STEEL	BRASS	0 - 60
85.415.100	1.5"	BOTTOM	DRY	BLACK STEEL	BRASS	0 - 100
85.415.160	1.5"	BOTTOM	DRY	BLACK STEEL	BRASS	0 - 160
85.415.200	1.5"	BOTTOM	DRY	BLACK STEEL	BRASS	0 - 200

RETAIL VERSIONS

85.415.100BP	1.5"	BOTTOM	DRY	BLACK STEEL	BRASS	0 - 100
85.415.200BP	1.5"	BOTTOM	DRY	BLACK STEEL	BRASS	0 - 200

SERIES 20



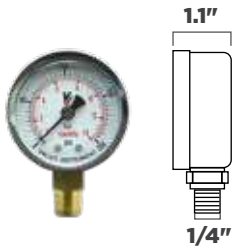
2" REAR MOUNT DRY GAUGE

PART #	DIAL SIZE	CASE/MOUNT STYLE	FILL MATERIAL	CASE MATERIAL	CONNECTION MATERIAL	PSI
85.420.100	2"	REAR	DRY	BLACK STEEL	BRASS	0 - 100
85.420.200	2"	REAR	DRY	BLACK STEEL	BRASS	0 - 200
85.420.300	2"	REAR	DRY	BLACK STEEL	BRASS	0 - 300

RETAIL VERSIONS

85.420.200BP	2"	REAR	DRY	BLACK STEEL	BRASS	0 - 200
--------------	----	------	-----	-------------	-------	---------

SERIES 20



2" BOTTOM MOUNT DRY GAUGE

PART #	DIAL SIZE	CASE/MOUNT STYLE	FILL MATERIAL	CASE MATERIAL	CONNECTION MATERIAL	PSI
85.040.200	2"	BOTTOM	DRY	BLACK STEEL	BRASS	0 - 200

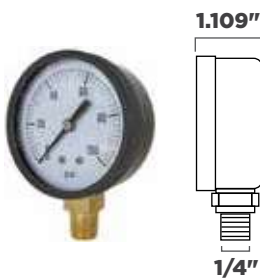
SERIES 20



4" BOTTOM MOUNT DRY GAUGE

PART #	DIAL SIZE	CASE/MOUNT STYLE	FILL MATERIAL	CASE MATERIAL	CONNECTION MATERIAL	PSI
85.800.030	4"	BOTTOM	DRY	BLACK STEEL	BRASS	VACUUM -30HG - 30

SERIES 24



2" BOTTOM MOUNT DRY GAUGE

PART #	DIAL SIZE	CASE/MOUNT STYLE	FILL MATERIAL	CASE MATERIAL	CONNECTION MATERIAL	PSI
85.400.015	2"	BOTTOM	DRY	ABS	BRASS	0 - 15
85.400.030	2"	BOTTOM	DRY	ABS	BRASS	0 - 30
85.401.060	2"	BOTTOM	DRY	ABS	BRASS	0 - 60
85.400.100	2"	BOTTOM	DRY	ABS	BRASS	0 - 100
85.400.160	2"	BOTTOM	DRY	ABS	BRASS	0 - 160
85.401.200	2"	BOTTOM	DRY	ABS	BRASS	0 - 200
85.400.300	2"	BOTTOM	DRY	ABS	BRASS	0 - 300
85.400.400	2"	BOTTOM	DRY	ABS	BRASS	0 - 400

RETAIL VERSIONS

85.400.200BP	2"	BOTTOM	DRY	ABS	BRASS	0 - 200
--------------	----	--------	-----	-----	-------	---------

SERIES 24



2.5" BOTTOM MOUNT DRY GAUGE

PART #	DIAL SIZE	CASE/MOUNT STYLE	FILL MATERIAL	CASE MATERIAL	CONNECTION MATERIAL	PSI
85.500.030	2.5"	BOTTOM	DRY	ABS	BRASS	0 - 30
85.500.060	2.5"	BOTTOM	DRY	ABS	BRASS	0 - 60
85.500.100	2.5"	BOTTOM	DRY	ABS	BRASS	0 - 100
85.500.160	2.5"	BOTTOM	DRY	ABS	BRASS	0 - 160
85.500.200	2.5"	BOTTOM	DRY	ABS	BRASS	0 - 200
85.500.400	2.5"	BOTTOM	DRY	ABS	BRASS	0 - 400
85.500.600	2.5"	BOTTOM	DRY	ABS	BRASS	0 - 600

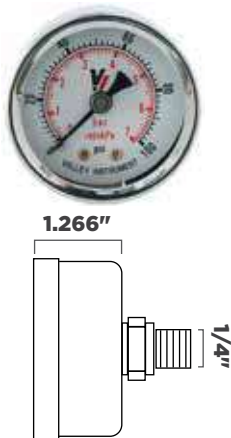
SERIES 40



2.5" BOTTOM MOUNT GLYCERIN GAUGE

PART #	DIAL SIZE	CASE/MOUNT STYLE	FILL MATERIAL	CASE MATERIAL	CONNECTION MATERIAL	PSI
85.200.060	2.5"	BOTTOM	GLYCERIN	STAINLESS STEEL	BRASS	0 - 60
85.200.100	2.5"	BOTTOM	GLYCERIN	STAINLESS STEEL	BRASS	0 - 100
85.200.300	2.5"	BOTTOM	GLYCERIN	STAINLESS STEEL	BRASS	0 - 300

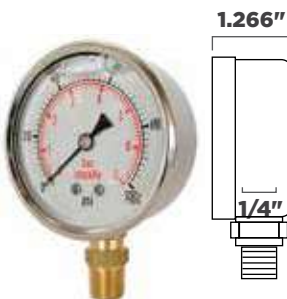
SERIES 40



4" REAR MOUNT GLYCERIN GAUGE

PART #	DIAL SIZE	CASE/MOUNT STYLE	FILL MATERIAL	CASE MATERIAL	CONNECTION MATERIAL	PSI
84.910.100	4"	REAR	GLYCERIN	STAINLESS STEEL	BRASS	0 - 100
84.910.160	4"	REAR	GLYCERIN	STAINLESS STEEL	BRASS	0 - 160
84.910.200	4"	REAR	GLYCERIN	STAINLESS STEEL	BRASS	0 - 200
84.910.300	4"	REAR	GLYCERIN	STAINLESS STEEL	BRASS	0 - 300
84.910.600	4"	REAR	GLYCERIN	STAINLESS STEEL	BRASS	0 - 600
84.911.000	4"	REAR	GLYCERIN	STAINLESS STEEL	BRASS	0 - 1000
84.912.000	4"	REAR	GLYCERIN	STAINLESS STEEL	BRASS	0 - 2000

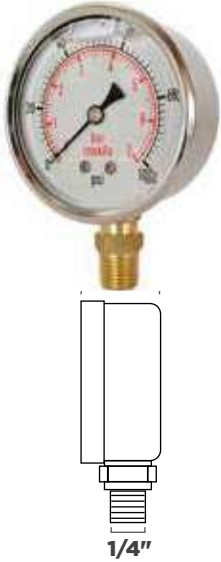
SERIES 40



4" BOTTOM MOUNT GLYCERIN GAUGE

PART #	DIAL SIZE	CASE/MOUNT STYLE	FILL MATERIAL	CASE MATERIAL	CONNECTION MATERIAL	PSI
84.000.003	4"	BOTTOM	GLYCERIN	STAINLESS STEEL	BRASS	VACUUM -30 - 30
84.000.006	4"	BOTTOM	GLYCERIN	STAINLESS STEEL	BRASS	VACUUM -30 - 60

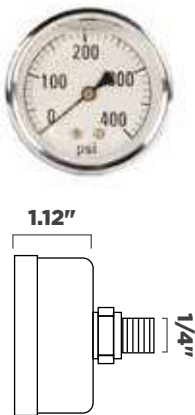
SERIES 40



4" BOTTOM MOUNT GLYCERIN GAUGE

PART #	DIAL SIZE	CASE/MOUNT STYLE	FILL MATERIAL	CASE MATERIAL	CONNECTION MATERIAL	PSI
84.000.015	4"	BOTTOM	GLYCERIN	STAINLESS STEEL	BRASS	0 - 15
84.000.030	4"	BOTTOM	GLYCERIN	STAINLESS STEEL	BRASS	0 - 30
84.000.060	4"	BOTTOM	GLYCERIN	STAINLESS STEEL	BRASS	0 - 60
84.000.100	4"	BOTTOM	GLYCERIN	STAINLESS STEEL	BRASS	0 - 100
84.000.160	4"	BOTTOM	GLYCERIN	STAINLESS STEEL	BRASS	0 - 160
84.000.200	4"	BOTTOM	GLYCERIN	STAINLESS STEEL	BRASS	0 - 200
84.000.300	4"	BOTTOM	GLYCERIN	STAINLESS STEEL	BRASS	0 - 300
84.000.400	4"	BOTTOM	GLYCERIN	STAINLESS STEEL	BRASS	0 - 400
84.000.600	4"	BOTTOM	GLYCERIN	STAINLESS STEEL	BRASS	0 - 600
84.001.000	4"	BOTTOM	GLYCERIN	STAINLESS STEEL	BRASS	0 - 1000
84.003.000	4"	BOTTOM	GLYCERIN	STAINLESS STEEL	BRASS	0 - 3000
84.005.000	4"	BOTTOM	GLYCERIN	STAINLESS STEEL	BRASS	0 - 5000
84.010.000	4"	BOTTOM	GLYCERIN	STAINLESS STEEL	BRASS	0 - 10000

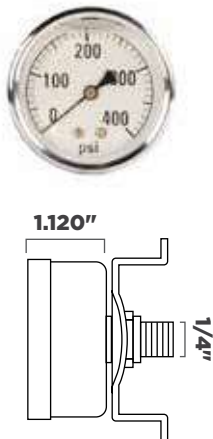
SERIES 41



2.5" REAR MOUNT GLYCERIN GAUGE

PART #	DIAL SIZE	CASE/MOUNT STYLE	FILL MATERIAL	CASE MATERIAL	CONNECTION MATERIAL	PSI
85.910.030	2.5"	REAR	GLYCERIN	STAINLESS STEEL	BRASS	0 - 30
85.910.060	2.5"	REAR	GLYCERIN	STAINLESS STEEL	BRASS	0 - 60
85.910.100	2.5"	REAR	GLYCERIN	STAINLESS STEEL	BRASS	0 - 100
85.910.160	2.5"	REAR	GLYCERIN	STAINLESS STEEL	BRASS	0 - 160
85.910.200	2.5"	REAR	GLYCERIN	STAINLESS STEEL	BRASS	0 - 200
85.910.300	2.5"	REAR	GLYCERIN	STAINLESS STEEL	BRASS	0 - 300
85.910.600	2.5"	REAR	GLYCERIN	STAINLESS STEEL	BRASS	0 - 600
85.911.000	2.5"	REAR	GLYCERIN	STAINLESS STEEL	BRASS	0 - 1000
85.913.000	2.5"	REAR	GLYCERIN	STAINLESS STEEL	BRASS	0 - 3000
85.915.000	2.5"	REAR	GLYCERIN	STAINLESS STEEL	BRASS	0 - 5000

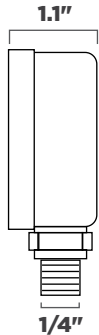
SERIES 41



2.5" PANEL MOUNT GLYCERIN GAUGE

PART #	DIAL SIZE	CASE/MOUNT STYLE	FILL MATERIAL	CASE MATERIAL	CONNECTION MATERIAL	PSI
85.900.030	2.5"	PANEL	GLYCERIN	STAINLESS STEEL	BRASS	0 - 30
85.900.060	2.5"	PANEL	GLYCERIN	STAINLESS STEEL	BRASS	0 - 60
85.900.100	2.5"	PANEL	GLYCERIN	STAINLESS STEEL	BRASS	0 - 100
85.900.160	2.5"	PANEL	GLYCERIN	STAINLESS STEEL	BRASS	0 - 160
85.900.200	2.5"	PANEL	GLYCERIN	STAINLESS STEEL	BRASS	0 - 200
85.900.300	2.5"	PANEL	GLYCERIN	STAINLESS STEEL	BRASS	0 - 300
85.900.400	2.5"	PANEL	GLYCERIN	STAINLESS STEEL	BRASS	0 - 400
85.900.600	2.5"	PANEL	GLYCERIN	STAINLESS STEEL	BRASS	0 - 600
85.901.000	2.5"	PANEL	GLYCERIN	STAINLESS STEEL	BRASS	0 - 1000
85.903.000	2.5"	PANEL	GLYCERIN	STAINLESS STEEL	BRASS	0 - 3000
85.905.000	2.5"	PANEL	GLYCERIN	STAINLESS STEEL	BRASS	0 - 5000

SERIES 41



RETAIL VERSION

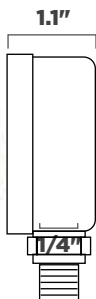
2.5" BOTTOM MOUNT GLYCERIN GAUGE

PART #	DIAL SIZE	CASE/MOUNT STYLE	FILL MATERIAL	CASE MATERIAL	CONNECTION MATERIAL	PSI
85.300.015	2.5"	BOTTOM	GLYCERIN	STAINLESS STEEL	BRASS	0 - 15
85.300.030	2.5"	BOTTOM	GLYCERIN	STAINLESS STEEL	BRASS	0 - 30
85.300.060	2.5"	BOTTOM	GLYCERIN	STAINLESS STEEL	BRASS	0 - 60
85.300.100	2.5"	BOTTOM	GLYCERIN	STAINLESS STEEL	BRASS	0 - 100
85.300.160	2.5"	BOTTOM	GLYCERIN	STAINLESS STEEL	BRASS	0 - 160
85.300.200	2.5"	BOTTOM	GLYCERIN	STAINLESS STEEL	BRASS	0 - 200
85.300.300	2.5"	BOTTOM	GLYCERIN	STAINLESS STEEL	BRASS	0 - 300
85.300.400	2.5"	BOTTOM	GLYCERIN	STAINLESS STEEL	BRASS	0 - 400
85.300.600	2.5"	BOTTOM	GLYCERIN	STAINLESS STEEL	BRASS	0 - 600
85.301.000	2.5"	BOTTOM	GLYCERIN	STAINLESS STEEL	BRASS	0 - 1000
85.302.000	2.5"	BOTTOM	GLYCERIN	STAINLESS STEEL	BRASS	0 - 2000
85.303.000	2.5"	BOTTOM	GLYCERIN	STAINLESS STEEL	BRASS	0 - 3000
85.305.000	2.5"	BOTTOM	GLYCERIN	STAINLESS STEEL	BRASS	0 - 5000
85.310.000	2.5"	BOTTOM	GLYCERIN	STAINLESS STEEL	BRASS	0 - 10000

RETAIL VERSIONS

85.300.015BP	2.5"	BOTTOM	GLYCERIN	STAINLESS STEEL	BRASS	0 - 15
85.300.030BP	2.5"	BOTTOM	GLYCERIN	STAINLESS STEEL	BRASS	0 - 30
85.300.060BP	2.5"	BOTTOM	GLYCERIN	STAINLESS STEEL	BRASS	0 - 60
85.300.100BP	2.5"	BOTTOM	GLYCERIN	STAINLESS STEEL	BRASS	0 - 100
85.300.160BP	2.5"	BOTTOM	GLYCERIN	STAINLESS STEEL	BRASS	0 - 160
85.300.200BP	2.5"	BOTTOM	GLYCERIN	STAINLESS STEEL	BRASS	0 - 200
85.300.300BP	2.5"	BOTTOM	GLYCERIN	STAINLESS STEEL	BRASS	0 - 300
85.300.400BP	2.5"	BOTTOM	GLYCERIN	STAINLESS STEEL	BRASS	0 - 400
85.300.600BP	2.5"	BOTTOM	GLYCERIN	STAINLESS STEEL	BRASS	0 - 600
85.301.000BP	2.5"	BOTTOM	GLYCERIN	STAINLESS STEEL	BRASS	0 - 1000
85.302.000BP	2.5"	BOTTOM	GLYCERIN	STAINLESS STEEL	BRASS	0 - 2000
85.303.000BP	2.5"	BOTTOM	GLYCERIN	STAINLESS STEEL	BRASS	0 - 3000
85.305.000BP	2.5"	BOTTOM	GLYCERIN	STAINLESS STEEL	BRASS	0 - 5000
85.310.000BP	2.5"	BOTTOM	GLYCERIN	STAINLESS STEEL	BRASS	0 - 10000

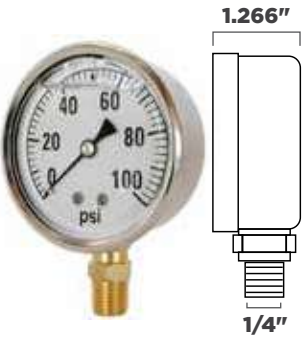
SERIES 41



2.5" BOTTOM MOUNT GLYCERIN GAUGE - VACUUM

PART #	DIAL SIZE	CASE/MOUNT STYLE	FILL MATERIAL	CASE MATERIAL	CONNECTION MATERIAL	PSI
85.310.030	2.5"	BOTTOM	GLYCERIN	STAINLESS STEEL	BRASS	VACUUM -30 - 30
85.310.060	2.5"	BOTTOM	GLYCERIN	STAINLESS STEEL	BRASS	VACUUM -30 - 60
85.310.150	2.5"	BOTTOM	GLYCERIN	STAINLESS STEEL	BRASS	VACUUM -30 - 150

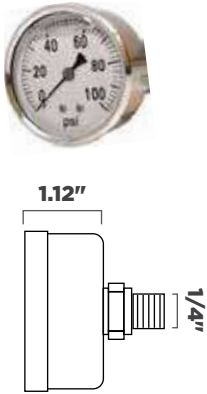
SERIES 41



4" BOTTOM MOUNT GLYCERIN GAUGE

PART #	DIAL SIZE	CASE/MOUNT STYLE	FILL MATERIAL	CASE MATERIAL	CONNECTION MATERIAL	PSI
84.500.200	4"	BOTTOM	GLYCERIN	STAINLESS STEEL	BRASS	0 - 200

SERIES 54



2.5" REAR MOUNT GLYCERIN GAUGE

PART #	DIAL SIZE	CASE/MOUNT STYLE	FILL MATERIAL	CASE MATERIAL	CONNECTION MATERIAL	PSI
85.355.030	2.5"	REAR	GLYCERIN	STAINLESS STEEL	STAINLESS STEEL	0 - 30
85.355.060	2.5"	REAR	GLYCERIN	STAINLESS STEEL	STAINLESS STEEL	0 - 60
85.355.100	2.5"	REAR	GLYCERIN	STAINLESS STEEL	STAINLESS STEEL	0 - 100
85.355.200	2.5"	REAR	GLYCERIN	STAINLESS STEEL	STAINLESS STEEL	0 - 200

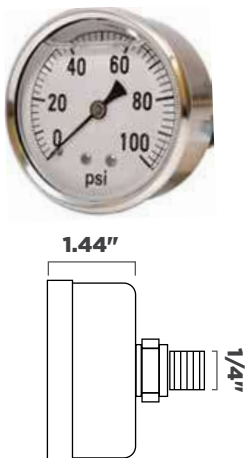
SERIES 54



2.5" BOTTOM MOUNT GLYCERIN GAUGE

PART #	DIAL SIZE	CASE/MOUNT STYLE	FILL MATERIAL	CASE MATERIAL	CONNECTION MATERIAL	PSI
85.350.030	2.5"	BOTTOM	GLYCERIN	STAINLESS STEEL	STAINLESS STEEL	0 - 30
85.350.060	2.5"	BOTTOM	GLYCERIN	STAINLESS STEEL	STAINLESS STEEL	0 - 60
85.350.100	2.5"	BOTTOM	GLYCERIN	STAINLESS STEEL	STAINLESS STEEL	0 - 100
85.350.160	2.5"	BOTTOM	GLYCERIN	STAINLESS STEEL	STAINLESS STEEL	0 - 160
85.350.200	2.5"	BOTTOM	GLYCERIN	STAINLESS STEEL	STAINLESS STEEL	0 - 200

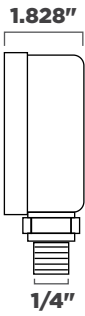
SERIES 54



4" REAR MOUNT GLYCERIN GAUGE

PART #	DIAL SIZE	CASE/MOUNT STYLE	FILL MATERIAL	CASE MATERIAL	CONNECTION MATERIAL	PSI
84.940.060	4"	REAR	GLYCERIN	STAINLESS STEEL	STAINLESS STEEL	0 - 60
84.940.100	4"	REAR	GLYCERIN	STAINLESS STEEL	STAINLESS STEEL	0 - 100
84.940.160	4"	REAR	GLYCERIN	STAINLESS STEEL	STAINLESS STEEL	0 - 160
84.940.300	4"	REAR	GLYCERIN	STAINLESS STEEL	STAINLESS STEEL	0 - 300

SERIES 54



4" BOTTOM MOUNT GLYCERIN GAUGE

PART #	DIAL SIZE	CASE/MOUNT STYLE	FILL MATERIAL	CASE MATERIAL	CONNECTION MATERIAL	PSI
84.140.015	4"	BOTTOM	GLYCERIN	STAINLESS STEEL	STAINLESS STEEL	0 - 15
84.140.100	4"	BOTTOM	GLYCERIN	STAINLESS STEEL	STAINLESS STEEL	0 - 100
84.140.160	4"	BOTTOM	GLYCERIN	STAINLESS STEEL	STAINLESS STEEL	0 - 160

SERIES 80



2.5" BOTTOM MOUNT DRY GAUGE

PART #	DIAL SIZE	CASE/MOUNT STYLE	FILL MATERIAL	CASE MATERIAL	CONNECTION MATERIAL	PSI
85.825.060	2.5"	BOTTOM	DRY	STAINLESS STEEL	304 STAINLESS STEEL	0 - 60
85.825.400	2.5"	BOTTOM	DRY	STAINLESS STEEL	304 STAINLESS STEEL	0 - 400

SERIES 80



4" BOTTOM MOUNT DRY GAUGE

PART #	DIAL SIZE	CASE/MOUNT STYLE	FILL MATERIAL	CASE MATERIAL	CONNECTION MATERIAL	PSI
85.804.060	4"	BOTTOM	DRY	STAINLESS STEEL	304 STAINLESS STEEL	0 - 60



MISSING A SIZE, PRESSURE OR STYLE?

**CALL OR EMAIL FOR SPECIAL ORDER OPTIONS.
MINIMUM ORDER MAY APPLY.**



INLINE SNUBBER
PART# 85.140.140



COVERS FOR 2.5" FACE

PART#	COLOR
85.300.998	BLACK COVER
85.300.999	BLUE COVER

AMMETER GAUGE
2", 20-0-20
PART# 85.354.473



WATER TEMP GAUGE
PART# 85.393.476



WATER TEMP GAUGE
3 ZONE
PART# 85.393.477



AMMETER GAUGE
2", W/CLAMP
PART# 85.410.991



OIL PRESSURE GAUGE
PART# 85.419.340



OIL PRESSURE GAUGE
PART# 85.439.870



WATER TEMP GAUGE
PART# 85.671.350



ORIFICES
HARDENED STEEL
& ANODIZED COATING
PART# 90.410.002



ORIFICES

PART#	DESCRIPTION
90.410.002	BE HARDENED D2 ORIFICE
90.410.003	BE HARDENED D3 ORIFICE
90.410.004	BE HARDENED D4 ORIFICE
90.410.005	BE HARDENED D5 ORIFICE
90.410.006	BE HARDENED D6 ORIFICE
90.410.007	BE HARDENED D7 ORIFICE
90.410.008	BE HARDENED D8 ORIFICE
90.410.010	BE HARDENED D10 ORIFICE

BRASS CORES/SWIVELS
BRASS SWIRL, NO # 25
PART# 90.409.025



ORIFICES

PART#	DESCRIPTION
90.409.025	BRASS SWIRL, NO # 25
90.409.045	BRASS SWIRL, NO # 45

ROLLOVER NOZZLE
PART# 73.617.39



BRASS SPRAY FITTINGS
BRASS NOZZLE BODY SWIVEL
1/4" FEMALE
PART# 90.900.003



BRASS SPRAY FITTINGS
BRASS NOZZLE BODY SWIVEL
1/4" MALE
PART# 90.900.049



BRASS SPRAY FITTINGS
BRASS NOZZLE BODY
DOUBLE SWIVEL 1/4" FEMALE
PART# 90.900.004



BRASS SPRAY FITTINGS
BRASS NOZZLE BODY
DOUBLE SWIVEL 1/4" MALE
PART# 90.900.050



BRASS SPRAY FITTINGS
BRASS NOZZLE BODY TEE
1/2" BARB
PART# 90.900.053



3/8" BARB
PART# 90.902.038

BRASS SPRAY FITTINGS
BRASS NOZZLE BODY ELBOW
1/2" BARB
PART# 90.900.052



3/8" BARB
PART# 90.901.038

BRASS SPRAY FITTINGS
BRASS NOZZLE BODY
1/4" MNPT X 11/16" M NOZZLE
PART# 90.900.001



BRASS SPRAY FITTINGS
BRASS NOZZLE BODY
1/4" FNPT X 11/16" M NOZZLE
PART# 90.900.031



BRASS NOZZLE CAP
PART# 90.900.002



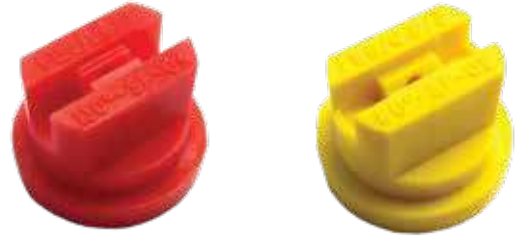
BRASS NOZZLE CAP
PART# 90.900.006



110° & 80° ISO POLYACETAL FAN NOZZLES

FEATURES

- Precision molded in polyacetal
- Narrow elliptical spray pattern
- 10 times the wear ability of brass
- Available in two spray angles of 80° and 110°
- Color coded for quick identification of flow rate
- Polyacetal has up to 10 times the wearability of standard brass tips!
- When boom mounted at 20" spacing provide 50% overlap to give an overall even distribution



APPLICATIONS

- Used for broadcast application of pre and post emergent herbicides, fungicides and insecticides.

NOZZLE SPACING

SPRAY ANGLE	SUGGESTED SPRAY HEIGHTS	
	20" SPACING	30" SPACING
80°	24-26"	NOT SUITABLE
110°	14-16"	20-22"

PART #	SPRAY TIP	SPRAY ANGLE	PSI	GPM	FLOW (OZ/MIN)	GALLONS PER ACRE 20° SPACING								GALLONS PER ACRE 30° SPACING							
						5 MPH	6 MPH	7 MPH	8 MPH	10 MPH	12 MPH	14 MPH	16 MPH	5 MPH	6 MPH	7 MPH	8 MPH	10 MPH	12 MPH	14 MPH	16 MPH
ORANGE 90.110.001 90.080.001	#1	110°	30	0.09	11	5.2	4.3	3.7	3.3	2.6	2.2	1.8	1.6	3.5	2.9	2.5	2.2	1.7	1.4	1.2	1.1
			40	0.10	13	6.0	5.0	4.3	3.8	3.0	2.5	2.1	1.9	4.0	3.3	2.9	2.5	2.0	1.7	1.4	1.3
		80°	45	0.11	14	6.5	5.3	4.6	4.0	3.2	2.7	2.3	2.0	4.3	3.5	3.0	2.7	2.1	1.8	1.5	1.3
			50	0.11	15	6.7	5.6	4.8	4.2	3.4	2.8	2.4	2.1	4.5	3.7	3.2	2.8	2.2	1.9	1.6	1.4
GREEN 90.110.015 90.080.015	#1.5	110°	30	0.13	16	7.8	7.0	5.6	4.9	3.9	3.2	2.8	2.4	5.2	4.3	3.7	3.2	2.6	2.2	1.8	1.6
			40	0.15	19	9.0	7.5	6.4	5.6	4.5	3.7	3.2	2.8	6.0	5.0	4.3	3.7	3.0	2.5	2.1	1.9
		80°	45	0.16	21	9.6	8.0	6.8	6.0	4.8	4.0	3.4	3.0	6.4	5.3	4.5	4.0	3.2	2.6	2.0	2.0
			50	0.17	22	10.1	8.4	7.2	6.3	5.0	4.2	3.6	3.1	6.7	5.6	4.8	4.2	3.4	2.8	2.4	2.1
YELLOW 90.110.002 90.080.002	#2	110°	30	0.18	22	10.4	8.7	7.4	6.5	5.2	4.3	3.7	3.3	7.0	5.8	5.0	4.3	3.5	2.9	2.5	2.2
			40	0.20	26	12.0	10.0	8.6	7.5	6.0	5.0	4.3	3.8	8.0	6.7	5.7	5.0	4.0	3.3	2.9	2.5
		80°	45	0.21	28	12.8	10.6	9.1	8.0	6.4	5.3	4.6	4.0	8.5	7.1	6.1	5.3	4.3	3.5	3.0	2.7
			50	0.23	29	13.5	11.2	9.6	8.4	6.7	5.6	4.8	4.2	9.0	7.5	6.4	5.6	4.5	3.7	3.2	2.8
BLUE 90.110.003 90.080.003	#3	110°	30	0.26	34	15.6	13.0	11.2	9.8	7.8	6.5	5.6	4.9	10.4	8.7	7.4	6.5	5.2	4.3	3.7	3.3
			40	0.30	39	18.1	15.0	12.9	11.3	9.0	7.5	6.4	5.6	12.0	10.0	8.6	7.5	6.0	5.0	4.3	3.8
		80°	45	0.32	41	19.2	16.0	13.7	12.0	9.6	8.0	6.8	6.0	12.8	10.6	9.1	8.0	6.4	5.3	4.6	4.0
			50	0.34	44	20.2	16.8	14.4	12.6	10.1	8.4	7.2	6.3	13.5	11.2	9.6	8.4	6.7	5.6	4.8	4.2
RED 90.110.004 90.080.004	#4	110°	30	0.35	45	20.9	17.4	14.9	13.0	10.4	8.7	7.4	6.5	13.9	11.6	9.9	8.7	7.0	5.8	5.0	4.3
			40	0.41	52	24.1	20.1	17.2	15.0	12.0	10.0	8.6	7.5	16.1	13.4	11.5	10.0	8.0	6.7	5.7	5.0
		80°	45	0.43	55	25.5	21.3	18.2	16.0	12.8	10.6	9.1	8.0	17.0	14.2	12.2	10.6	8.5	7.1	6.1	5.3
			50	0.45	58	26.9	22.4	19.2	16.8	13.5	11.2	9.5	8.4	17.9	15.0	12.8	11.2	9.0	7.5	6.4	5.6
BROWN 90.110.005 90.080.005	#5	110°	30	0.44	56	26.1	21.7	18.6	16.3	13.0	10.9	9.3	8.1	17.4	14.5	12.4	10.9	8.7	7.2	6.2	5.4
			40	0.51	65	30.1	25.1	21.5	18.8	15.0	12.5	10.7	9.4	20.1	16.7	14.3	12.5	10.0	8.4	7.2	6.3
		80°	45	0.54	69	31.9	26.6	22.8	20.0	16.0	13.3	11.4	10.0	21.3	17.7	15.2	13.3	10.6	8.9	7.6	6.7
			50	0.57	73	33.7	28.0	24.0	21.0	16.8	14.0	12.0	10.5	22.4	18.7	16.0	14.0	11.2	9.3	8.0	7.0
GRAY 90.110.006 90.080.006	#6	110°	30	0.53	67	31.3	26.1	22.3	19.5	15.6	13.0	11.2	9.8	20.9	17.4	14.9	13.0	10.4	8.7	7.4	6.5
			40	0.61	78	36.1	30.1	25.8	22.6	18.1	15.0	12.9	11.3	24.1	20.1	17.2	15.0	12.0	10.0	8.6	7.5
		80°	45	0.64	83	38.3	31.9	27.4	23.9	19.2	16.0	13.7	12.0	25.5	21.3	18.2	16.0	12.8	10.6	9.1	8.0
			50	0.68	87	40.4	33.7	28.8	25.2	20.2	16.8	14.4	12.6	26.9	22.4	19.2	16.8	13.5	11.2	9.6	8.4
WHITE 90.110.008 90.080.008	#8	110°	30	0.70	90	41.7	34.8	29.8	26.1	20.9	17.4	14.9	13.0	27.8	23.2	19.9	17.4	13.9	11.6	9.9	8.7
			40	0.81	104	48.2	40.1	34.4	30.1	24.1	20.1	17.2	15.0	32.1	26.8	22.9	20.1	16.1	13.4	11.5	10.0
		80°	45	0.86	110	51.1	42.6	36.5	31.9	25.5	21.3	18.2	16.0	34.1	28.4	24.3	21.3	17.0	14.2	12.2	10.6
			50	0.91	116	53.8	44.9	38.5	33.7	26.9	22.4	19.2	16.8	35.9	29.9	25.6	22.4	17.9	15.0	12.8	11.2
LIGHT BLUE 90.110.010 90.080.010	#10	110°	30	0.88	112	52.1	43.4	37.2	32.6	26.1	21.7	18.6	16.3	34.8	29.0	24.8	21.7	17.4	14.5	12.4	10.9
			40	1.01	130	60.2	50.2	43.0	37.6	30.1	25.1	21.5	18.8	40.1	33.4	28.7	25.1	20.1	16.7	14.3	12.5
		80°	45	1.07	138	63.8	53.2	45.6	39.9	31.9	26.6	22.8	20.0	42.6	35.5	30.4	26.6	21.3	17.7	15.2	13.3
			50	1.13	145	67.3	56.1	48.1	42.1	33.7	28.0	24.0	21.0	44.9	37.4	32.0	28.0	22.4	18.7	16.0	14.0
60	1.24	159	73.7	61.4	52.7	46.1	36.9	30.7	26.3	23.0	49.1	41.0	35.1	30.7	24.6	20.5	17.6	15.4			

110° ISO FAN NOZZLES, CERAMIC INSERT



FEATURES

- Available in 110° spray angle
- Precision molded in polyacetal
- Color coded for quick identification of flow rate
- Ceramic tip lasts 90-100 times longer than a standard brass tip

NOZZLE SPACING

SPRAY ANGLE	SUGGESTED SPRAY HEIGHTS	
	20" SPACING	30" SPACING
110°	14-16"	20-22"

APPLICATIONS

- Used for broadcast application of pre and post emergent herbicides, fungicides and insecticides.

PART #	SPRAY TIP	SPRAY ANGLE	PSI	GPM	FLOW (OZ/MIN)	GALLONS PER ACRE 20° SPACING								GALLONS PER ACRE 30° SPACING							
						5 MPH	6 MPH	7 MPH	8 MPH	10 MPH	12 MPH	14 MPH	16 MPH	5 MPH	6 MPH	7 MPH	8 MPH	10 MPH	12 MPH	14 MPH	16 MPH
GREEN 93.110.015	#1.5	110°	30	0.13	17	7.8	6.5	5.6	4.9	3.9	3.3	2.8	2.4	5.2	4.3	3.7	3.3	2.6	2.2	1.9	1.6
			40	0.15	19	9.0	7.5	6.4	5.6	4.5	3.8	3.2	2.8	6.0	5.0	4.3	3.8	3.0	2.5	2.1	1.9
			45	0.16	21	9.6	8.0	6.8	6.0	4.8	4.0	3.4	3.0	6.4	5.3	4.6	4.0	3.2	2.7	2.3	2.0
			50	0.17	22	10.1	8.4	7.2	6.3	5.0	4.2	3.6	3.2	6.7	5.6	4.8	4.2	3.4	2.8	2.4	2.1
			60	0.19	24	11.1	9.2	7.9	6.9	5.5	4.6	3.9	3.5	7.4	6.1	5.3	4.6	3.7	3.1	2.6	2.3
YELLOW 93.110.002	#2	110°	30	0.18	22	10.4	8.7	7.4	6.5	5.2	4.3	3.7	3.3	7.0	5.8	5.0	4.3	3.5	2.9	2.5	2.2
			40	0.20	26	12.0	10.0	8.6	7.5	6.0	5.0	4.3	3.8	8.0	6.7	5.7	5.0	4.0	3.3	2.9	2.5
			45	0.21	28	12.8	10.6	9.1	8.0	6.4	5.3	4.6	4.0	8.5	7.1	6.1	5.3	4.3	3.5	3.0	2.7
			50	0.23	29	13.5	11.2	9.6	8.4	6.7	5.6	4.8	4.2	9.0	7.5	6.4	5.6	4.5	3.7	3.2	2.8
			60	0.25	32	14.7	12.3	10.5	9.2	7.4	6.1	5.3	4.6	9.8	8.2	7.0	6.1	4.9	4.1	3.5	3.1
BLUE 93.110.003	#3	110°	30	0.26	34	15.6	13.0	11.2	9.8	7.8	6.5	5.6	4.9	10.4	8.7	7.4	6.5	5.2	4.3	3.7	3.3
			40	0.30	39	18.1	15.0	12.9	11.3	9.0	7.5	6.4	5.6	12.0	10.0	8.6	7.5	6.0	5.0	4.3	3.8
			45	0.32	41	19.2	16.0	13.7	12.0	9.6	8.0	6.8	6.0	12.8	10.6	9.1	8.0	6.4	5.3	4.6	4.0
			50	0.34	44	20.2	16.8	14.4	12.6	10.1	8.4	7.2	6.3	13.5	11.2	9.6	8.4	6.7	5.6	4.8	4.2
			60	0.37	48	22.1	18.4	15.8	13.8	11.1	9.2	7.9	6.9	14.7	12.3	10.5	9.2	7.4	6.1	5.3	4.6
RED 93.110.004	#4	110°	30	0.35	45	20.9	17.4	14.9	13.0	10.4	8.7	7.4	6.5	13.9	11.6	9.9	8.7	7.0	5.8	5.0	4.3
			40	0.41	52	24.1	20.1	17.2	15.0	12.0	10.0	8.6	7.5	16.1	13.4	11.5	10.0	8.0	6.7	5.7	5.0
			45	0.43	55	25.5	21.3	18.2	16.0	12.8	10.6	9.1	8.0	17.0	14.2	12.2	10.6	8.5	7.1	6.1	5.3
			50	0.45	58	26.9	22.4	19.2	16.8	13.5	11.2	9.5	8.4	17.9	15.0	12.8	11.2	9.0	7.5	6.4	5.6
			60	0.50	64	29.5	24.6	21.1	18.4	14.7	12.3	10.5	9.2	19.7	16.4	14.0	12.3	9.8	8.2	7.0	6.1
BROWN 93.110.005	#1	110°	30	0.44	56	26.1	21.7	18.6	16.3	13.0	10.9	9.3	8.1	17.4	14.5	12.4	10.9	8.7	7.2	6.2	5.4
			40	0.51	65	30.1	25.1	21.5	18.8	15.0	12.5	10.7	9.4	20.1	16.7	14.3	12.5	10.0	8.4	7.2	6.3
			45	0.54	69	31.9	26.6	22.8	20.0	16.0	13.3	11.4	10.0	21.3	17.7	15.2	13.3	10.6	8.9	7.6	6.7
			50	0.57	73	33.7	28.0	24.0	21.0	16.8	14.0	12.0	10.5	22.4	18.7	16.0	14.0	11.2	9.3	8.0	7.0
			60	0.62	79	36.9	30.7	26.3	23.0	18.4	15.4	13.2	11.5	24.6	20.5	17.6	15.4	12.3	10.2	8.8	7.7
GRAY 93.110.006	#1	110°	30	0.53	67	31.3	26.1	22.3	19.5	15.6	13.0	11.2	9.8	20.9	17.4	14.9	13.0	10.4	8.7	7.4	6.5
			40	0.61	78	36.1	30.1	25.8	22.6	18.1	15.0	12.9	11.3	24.1	20.1	17.2	15.0	12.0	10.0	8.6	7.5
			45	0.64	83	38.3	31.9	27.4	23.9	19.2	16.0	13.7	12.0	25.5	21.3	18.2	16.0	12.8	10.6	9.1	8.0
			50	0.68	87	40.4	33.7	28.8	25.2	20.2	16.8	14.4	12.6	26.9	22.4	19.2	16.8	13.5	11.2	9.6	8.4
			60	0.74	95	44.2	36.9	31.6	27.6	22.1	18.4	15.8	13.8	29.5	24.6	21.1	18.4	14.7	12.3	10.5	9.2

140° DEFLECTOR NOZZLES

FEATURES

- 14 To 43 PSI
- Wide spray angle of 140°
- Produces coarse droplets
- Fits standard nozzle caps
- Narrow rectangular spray pattern
- Molded in high performance color coded polyacetal
- Screwdriver slot at front to align nozzle in standard caps

APPLICATIONS

- This nozzle is well suited to broadcast spraying with small boom sprayers fitted to all-terrain vehicles. The wide angle allows the nozzles to be spaced at 40" intervals
- Effectively reducing the number of nozzles required.



POLYACETAL HAS UP TO 10 TIMES THE WEARABILITY OF STANDARD BRASS TIPS!

PART #	SPRAY TIP#	SPRAY ANGLE	PSI	GPM	FLOW (OZ/MIN)	GALLONS PER ACRE 40° SPACING						
						3 MPH	4 MPH	5 MPH	6 MPH	7 MPH	8 MPH	9 MPH
RED 90.140.002	#2	140°	15	0.25	31	12.1	9.1	7.3	6.1	5.2	4.5	4.0
			20	0.28	36	14.0	10.5	8.4	7.0	6.0	5.3	4.7
			25	0.32	40	15.7	11.7	9.4	7.8	6.7	5.9	5.2
			30	0.35	44	17.2	12.9	10.3	8.6	7.4	6.4	5.7
BROWN 90.140.025	#2.5	140°	35	0.37	48	18.5	13.9	11.1	9.3	7.9	6.9	6.2
			15	0.31	39	15.2	11.4	9.1	7.6	6.5	5.7	5.1
			20	0.35	45	17.5	13.1	10.5	8.7	7.5	6.6	5.8
			25	0.40	51	19.6	14.7	11.7	9.8	8.4	7.3	6.5
GREY 90.140.003	#3	140°	30	0.43	55	21.4	16.1	12.9	10.7	9.2	8.0	7.1
			35	0.47	60	23.1	17.4	13.9	11.6	9.9	8.7	7.7
			15	0.37	47	18.2	13.6	10.9	9.1	7.8	6.8	6.1
			20	0.42	54	21.0	15.7	12.6	10.5	9.0	7.9	7.0
			25	0.47	61	23.5	17.6	14.1	11.7	10.1	8.8	7.8
			30	0.52	66	25.7	19.3	15.4	12.9	11.0	9.6	8.6
			35	0.56	72	27.8	20.8	16.7	13.9	11.9	10.4	9.3

HOLLOW CONE CERAMIC NOZZLE

FEATURES

- Available in 80° spray angle
- Complete with swirl assembly
- Precision molded in polyacetal
- Color coded for quick identification of flow rate
- Ceramic tip lasts 90-100 times longer than standard brass tip



CERAMIC HAS UP TO 100 TIMES THE WEARABILITY OF STANDARD BRASS TIPS!

PART #	SPRAY TIP #	SPRAY ANGLE	GALLONS PER MINUTE					
			44 PSI	58 PSI	73 PSI	101 PSI	145 PSI	218 PSI
RED 93.100.001	#1	80°	0.10	0.12	0.13	0.15	0.18	0.22
ORANGE 93.100.002	#2	80°	0.21	0.24	0.27	0.31	0.37	0.46
GRAY 93.100.003	#3	80°	0.31	0.36	0.40	0.46	0.55	0.66
BLACK 93.100.004	#4	80°	0.41	0.47	0.53	0.62	0.73	0.89
BLUE 93.100.005	#5	80°	0.53	0.58	0.63	0.74	0.89	1.07

ISO STANDARD BAYONET CAPS

PART #	SIZE	COLOR
90.900.170	ISO STANDARD	BLACK
90.900.171	ISO STANDARD	BLUE
90.900.172	ISO STANDARD	RED
90.900.173	ISO STANDARD	YELLOW
90.900.174	ISO STANDARD	GREEN
90.900.175	ISO STANDARD	BROWN

ISO STANDARD BAYONET CAPS

PART# 90.900.171



FEATURES

- Complete with gaskets
- Precision molded Polacetal
- ISO color coded for easy identification

HARDI HOLLOW CONE CONVERSION CAP

PART# 90.900.162



FEATURES

- Complete with gaskets
- Precision molded Polacetal
- Converts from Hardi systems to ISO standard fan tips

SNAP-FIT NOZZLE HOLDER

PART# 334083



SPRAY WANDS & ACCESSORIES

**18" LANCE
SPOT SPRAYER**
450MM
PART# 90.300.005

**24" LANCE
SPOT SPRAYER**
600MM
PART# 90.300.105

**30" LANCE
SPOT SPRAYER**
450MM
PART# 90.300.205



SIMPLY REMOVE THE NOZZLE AND ATTACH THE SPRAY SHIELD DIRECTLY TO AN 18", 24", OR 30" SPRAY GUN!

SPRAY SHIELD
PART# 90.900.087



**13" SPRAYER GUN
WITH ALUMINUM BARREL**
PART# 90.300.008M



**22" SPRAYER GUN
WITH ALUMINUM BARREL**
PART# 90.300.008



**23" SPRAYER GUN
WITH ALUMINUM BARREL**
PART# 90.100.502



600MM LOW PRESSURE GUN
PART# U45050000



1500MM LOW PRESSURE TELESCOPING GUN
PART# U45050005



700 PSI 12" WAND & GUN
PART# 90.300.001



700 PSI 24" WAND & GUN
PART# 90.300.002



16" LENGTH FLASH GUN
PART# 90.300.006

COMES WITH 3/8" BRASS HOSE BARB



- High Quality
- Greenhouse Gun

26.5" LONG RANGE SPRAY GUN
PART# 90.300.007

COMES WITH 1/2" BRASS HOSE BARB



150 PSI REGULATOR
1/2" MNPT, 3/4" FPT
POLYPRO
PART# 90.922.026



POLYPRO CONSTRUCTION
3/4" FPT REGULATORS

PART#	PSI	INLET
90.922.026	150	1/2" MNPT
90.920.026	400	1/2" MNPT
90.920.057	150	3/4" MNPT
90.922.057	250	3/4" MNPT
90.924.057	400	3/4" MNPT

300 PSI REGULATOR
3/4" M, 3/4" FPT
ALUMINUM BYPASS W/
STAINLESS STEEL BALL
PART# 90.910.026



300 PSI REGULATOR
3/4" M, 3/4" FPT
BRASS BYPASS W/
STAINLESS STEEL BALL
PART# 90.900.026



ALUMINUM & BRASS
3/4" FPT REGULATORS

PART#	PSI	INLET
ALUMINUM REGULATOR		
90.910.026	400	1/2" MNPT
BRASS REGULATOR		
90.900.026	250	3/4" MNPT

HANDLE
BRASS, RUBBER HANDLE,
4754 TYPE GHT
PART# 90.900.027



SPRAY SHIELD
HOOD COMES WITH
110-03 FAN NOZZLE
PART# 90.900.087



WAND TANK CLIP (PAIR)
PART# U45050001



TEFLON TAPE,
12 PACK
PART# 85.400.110



STANDARD 6" SPRAYER LID
PART# 90.700.030



2" TANK TIE DOWN
ANCHOR BRACKET
PART# TD200B



POLYPRO BULKHEAD FITTINGS
1/2", POLY PRO,
1 3/4" OPENING
PART# 90.910.012



POLYPRO BULKHEAD FITTINGS

PART#	DESCRIPTION
90.910.012	1/2", POLY PRO, 1 3/4" OPENING
90.910.034	3/4", POLY PRO, 1 3/4" OPENING
90.910.100	1", POLY PRO, 2 1/8" OPENING
90.910.114	1 1/4", POLY PRO, 2 5/8" OPENING
90.910.112	1 1/2", POLY PRO, 2 5/8" OPENING
90.910.200	2", POLY PRO, 3 1/4" OPENING
90.910.300	3", POLY PRO, 4 3/8" OPENING
90.910.400	4", POLY PRO, 4 3/8" OPENING



PART #	85.402.050	85.402.001	85.402.001K	85.402.002	85.402.014	85.402.010
HOZE SIZE	3/8"	3/8"	3/8"	3/8"	3/8"	3/8"
MAX CAPACITY	50'	100'	100'	200'	150'	50'
MAX PSI	4000	4000	4000	4000	5000	4000
MAX TEMP.	71°C / 160°F	71°C / 160°F	71°C / 160°F	71°C / 160°F	150°C / 302°F	71°C / 160°F
REPLACEMENT SWIVEL	85.402.004	85.402.005S	85.402.005S	85.402.005S	2103246	85.402.004
SWIVEL REPAIR KIT	85.402.009	85.402.009S	85.402.009S	85.402.009S	N/A	85.402.009
INLET SIZE	3/8"	3/8"	3/8"	3/8"	1/2"	3/8"
OUTLET SIZE	3/8"	3/8"	3/8"	3/8"	1/2"	3/8"
STACKING FRAME	N/A	N/A	N/A	N/A	85.402.151	N/A
HOSE GUIDE	N/A	N/A	N/A	N/A	2100462	N/A
DIMS (LXWXH)	13" X 11.75" X 11"	13" X 18" X 11"	17" X 18" X 13.5"	20" X 15.75" X 17.25"	15.25" X 22" X 18.6"	13" X 12" X 18"
WEIGHT (LBS)	12 LBS	15 LBS	17 LBS	21 LBS	30 LBS	28 LBS



PART #	85.402.003BAR	85.402.003F	85.401.020	85.401.040	85.410.020	85.410.040
HOZE SIZE	3/8"	3/8"	3/8"	3/8"	3/8"	3/8"
MAX CAPACITY	150'	150'	200'	400'	200'	400'
MAX PSI	5000	5000	3000	3000	3000	3000
MAX TEMP.	N/A	120°C / 250°F	N/A	N/A	N/A	N/A
REPLACEMENT SWIVEL	N/A	N/A	N/A	N/A	N/A	N/A
SWIVEL REPAIR KIT	N/A	N/A	N/A	N/A	N/A	N/A
INLET SIZE	1/2"	3/8"	3/8"	3/8"	3/8"	3/8"
OUTLET SIZE	1/2"	3/8"	3/8"	3/8"	3/8"	3/8"
STACKING FRAME	N/A	N/A	N/A	N/A	N/A	N/A
HOSE GUIDE	N/A	N/A	N/A	N/A	N/A	N/A
DIMS (LXWXH)	N/A	17.5" X 12.5" X 19.5"	19.5" X 14.75" X 19.5"	19.5" X 21" X 19.5"	19.5" X 14.75" X 19.5"	19.5" X 21" X 19.5"
WEIGHT (LBS)	N/A	24.9 LBS	16.75 LBS	18.8 LBS	16.75 LBS	18.8 LBS

12V & ROLLER PUMPS

PUMP, 4 ROLLER
MAX GPM: 9.2
MAX PSI: 150
5/8" SOLID CW ROTATION
CAST IRON SERIES
PART# 4900C



DELAVAN

PUMP, 6 ROLLER
MAX GPM: 19.6
MAX PSI: 200
CCW ROTATION
CAST IRON SERIES
PART# 6900C



DELAVAN

PUMP, 7 ROLLER
MAX GPM: 22.5
MAX PSI: 200
CCW ROTATION
CAST IRON SERIES
PART# 7900C



DELAVAN

12V DEMAND PUMP
MAX GPM: 2.2
MAX PSI: 60
2 CHAMBER, 2 PIN, 3/8" MALE NPT
PART# 90.218.120



12V DEMAND PUMP
MAX GPM: 1.0
MAX PSI: 40
2 CHAMBER, 2 PIN, 3/8" H.B.
PART# 90.220.201



DELAVAN

12V DEMAND PUMP
MAX GPM: 1.0
MAX PSI: 40
2 CHAMBER, 2 PIN, 3/8" H.B.
PART# 90.220.202



DELAVAN

12V DEMAND PUMP
MAX GPM: 2.1
MAX PSI: 60
2 PIN CONNECTOR, 3/8" FNPT PORTS
MODEL 7812-301
PART# 90.780.230



DELAVAN

12V DEMAND PUMP
MAX GPM: 3.0
MAX PSI: 45
2 PIN CONNECTOR
ON/OFF SWITCH, 1/2" FNPT PORT
MODEL 5830-301C
PART# 90.583.301



DELAVAN

12V DEMAND PUMP
MAX GPM: 5.0
MAX PSI: 45
(LEAD WIRES)
1/2" FNPT PORT
MODEL 5850-101C
PART# 90.585.101



DELAVAN

12V DEMAND PUMP
MAX GPM: 7.0
MAX PSI: 60
PART# 90.787.101



DELAVAN

12V DEMAND PUMP
SHURFLO 12V
MAX GPM: 1.8
MAX PSI: 60
PART# 90.543.936



SHURFLO

BE EVERFLO 12 VOLT DEMAND PUMPS

**NON BOXED PRICES
INCLUDES DEMAND SWITCH & 2 PIN CONNECTOR
AVAILABLE BOXED!!**

ADD "B" TO END FOR RETAIL BOXED VERSIONS, DIFFERENT PRICING APPLIES TO BOXED VERSIONS

**PUMP, 12V
MAX GPM: 1.0
MAX PSI: 40
2.8 BAR, 12V, 4.0 AMP, 3/8" HB
BULK
PART# 90.240.100**



**BOXED ITEM
PART# 90.240.100B**

**PUMP, 12V
MAX GPM: 2.2
MAX PSI: 70
4.5 BAR 12V, 7.5 AMPS, 3/8" NPT
BULK
PART# 90.240.220**



**BOXED ITEM
PART# 90.240.220B**

**PUMP, 12V
MAX GPM: 3.0
MAX PSI: 60
4.1 BAR, 12V, 10.0 AMPS, 1/2" NPT
BULK
PART# 90.240.300**



**BOXED ITEM
PART# 90.240.300B**

**PUMP, 12V
MAX GPM: 4.0
MAX PSI: 60
4.1 BAR, 4.0GPM, 13 AMPS, 1/2" NPT
BULK
PART# 90.240.400**



**BOXED ITEM
PART# 90.240.400B**

**PUMP, 12V
MAX GPM: 5.5
MAX PSI: 60
4.1 BAR, 12V, 17 AMPS, 1/2" NPT
BULK
PART# 90.240.550**



**BOXED ITEM
PART# 90.240.550B**

PEDESTAL AND DRUM FAN



PART #	FD24	FP30	FD36	FD42	FD42B	FD48B
SIZE	24"	30"	36"	42"	42"	48"
STYLE	BARREL/DRUM	PEDESTAL	BARREL/DRUM	BARREL/DRUM	BARREL/DRUM	BARREL/DRUM
DRIVE TYPE	DIRECT	DIRECT	DIRECT	DIRECT	BELT	BELT
CFM	7700	8750	11200	15400	17700	19500
SPEEDS	2	2	2	2	2	2
MOTOR SIZE (HP)	0.17	0.2	0.33	0.5	1	1.5
VOLTAGE	120	120	120	120	120	120
HZ	60	60	60	60	60	60
AMPS	1.9	1.8	8.8	5.5	6.5	9.0
BLADE MATERIAL	BALANCED STEEL	BALANCED STEEL	BALANCED STEEL	BALANCED STEEL	BALANCED STEEL	BALANCED STEEL
BLADES	3	3	3	4	4	4
TILTABLE (F)	180	75	N/A	N/A	N/A	N/A
WEIGHT (LBS)	35	64	65	84	101	108
QTY PER PALLET	12	12	6	6	6	6
DIMENSIONS	30" X 24" X 12"	44" X 34" X 8"	40" X 42" X 13"	45" X 46" X 15"	53" X 51" X 15"	53" X 51" X 51"
CERTIFICATIONS						
WARRANTY	6 MONTHS	6 MONTHS	6 MONTHS	6 MONTHS	1 YEAR	1 YEAR





WATER IS A VITAL RESOURCE.
IT IS ESSENTIAL FOR GROWING CROPS AND SUSTAINING LIVESTOCK. HOWEVER, MOTHER NATURE CAN SEND TOO MUCH WATER THAT CAN FLOOD FIELDS AND BASEMENTS.
WATER PUMPS WILL ALLOW YOU TO MOVE THE WATER WHERE YOU WANT IT.

TYPES OF TRANSFER PUMPS

All transfer pumps are very similar in design. The pump is mounted onto an engine that drives the system. Every pump has an impeller spinning in a whorl case inside the pump body. However, the specific materials used to build the pump will give it special abilities to handle different tasks.

WATER TRANSFER PUMP

These are general-purpose pumps that effectively move water. They are best used with clean water to prolong longevity.

HIGH PRESSURE PUMP

These pumps have greater pressure, but lower water volume output. This trade off allows them to push water greater distances than other pumps. With the proper attachments they can spray water and be used in emergency fire fighting situations.

CHEMICAL PUMP

These are easily identified by their black pump bodies, which are built with fibreglass-reinforced polyester. This unique construction allows them to move a variety of agriculture and industrial chemicals such as liquid fertilizer.

SEMI-TRASH PUMP

Built with reinforced aluminum pumps and heavy-duty seals for applications with dirty water. These pumps will handle dirt, grit and solids up 5/8-inch. T-Handle bolts on the pump allow toolless access when it needs to be cleaned out.

FULL TRASH PUMPS

An extremely powerful and rugged design. The heavy-duty pump frame and cast iron impellers allow it to take solids up to 1-inch diameter. The pump has a flange system to allow easy access to open it up and clean out refuse.

SUBMERSIBLE PUMP

Comparatively small electric water pumps that are often referred to sub pumps. They are used to drain standing clean water.

KEY RATINGS TERMS

Suction Lift: the total vertical distance a water pump can lift water from the source bringing it into the pump housing.

Discharge Lift: the total vertical distance a water pump can push water out of the pump housing.

Total Lift: The combined vertical distance of the suction and discharge lift.

PSI (Pounds per Square Inch): refers to the force of the water coming out of the pump. The higher the rating, the further distance the water can be pumped.

GPM (Gallons per Minute): refers to the volume of water the pump can transfer.

CHOOSING A WATER PUMP

APPLICATION	SUBMERSIBLE PUMP	WATER TRANSFER PUMP	HIGH PRESSURE PUMP	NYLON CHEMICAL PUMP	SEMI-TRASH PUMP	TRASH PUMP
CLEAR WATER	X	X	X	X	X	X
SEPTIC TANK		X	X	X	X	X
SALT WATER			X	X	X	X
SLIMY WATER				X	X	X
MUCK WATER				X	X	X
MUD WATER				X	X	X
ABRASIVE WATER					X	X
SLOW SEEPAGE DITCH WATER					X	X
MAN HOLES					X	X
BRUSH FIRES			X			
LIQUID FERTILIZER				X		
HIGH SOLID CONTENT WATER						X

POWER EASE



MODEL #	WP-1020R	WP-2070S	WP-3070S
SERIES	WORKSHOP <small>SERIES</small>	WORKSHOP <small>SERIES</small>	WORKSHOP <small>SERIES</small>
ENGINE TYPE	POWEREASE 79CC	POWEREASE 225CC	POWEREASE 225CC
INLET/OUTLET PORT SIZE	1"	2"	3"
GPM	42	158	264
PSI	37	33	35
SUCTION LIFT	23'	23'	23'
TOTAL LIFT	85'	82'	85'
ENGINE OIL TYPE	SAE 10W 30	SAE 10W 30	SAE 10W 30
LOW OIL SHUTDOWN	NO	YES	YES
FUEL TANK CAPACITY	0.6L (0.15 US GAL)	3.1L (0.82 US GAL)	3.1L (0.82 US GAL)
HOUSING	ALUMINUM	ALUMINUM	ALUMINUM
IMPELLER	ALUMINUM	CAST IRON	CAST IRON
FITTINGS	1" NPT	2" NPT	3" NPT
SHIPPING (LxWxH)	16" X 12" X 16"	21" X 17" X 19"	21" X 17" X 19"
WEIGHT	42 LBS	60 LBS	63 LBS
KIT OPTION WITH SUCTION & DISCHARGE HOSE	N/A	WPK-2065CM	N/A
WARRANTY *FOR MANUFACTURE DEFECTS	2 YRS PUMP 2 YRS ENGINE	2 YRS PUMP 2 YRS ENGINE	2 YRS PUMP 2 YRS ENGINE

POWERED by
HONDA



MODEL #	WP-1015HT	WP-2065HL	WP-3065HL	WP4013H
SERIES	WORKSHOP SERIES	WORKSHOP SERIES	COMMERCIAL SERIES	COMMERCIAL SERIES
ENGINE TYPE	HONDA GX25	HONDA GX200	HONDA GX200	HONDA GX390
INLET/OUTLET PORT SIZE	1"	2"	3"	4"
GPM	36	158	264	422
PSI	37	33	35	38
SUCTION LIFT	26'	26'	26'	26'
TOTAL LIFT	100'	82'	85'	98'
ENGINE OIL TYPE	SAE 10W 30	SAE 10W 30	SAE 10W 30	SAE 10W 30
LOW OIL SHUTDOWN	NO	YES	YES	YES
FUEL TANK CAPACITY	0.6L (0.15 US GAL)	3.1L (0.82 US GAL)	3.1L (0.82 US GAL)	6.1L (1.6 US GAL)
HOUSING	ALUMINUM	ALUMINUM	ALUMINUM	ALUMINUM
IMPELLER	ALUMINUM	CAST IRON	CAST IRON	CAST IRON
FITTINGS	1" NPT	2" NPT	3" NPT	4" NPT
SHIPPING (LxWxH)	16" X 12" X 16"	21" X 17" X 19"	21" X 17" X 19"	26" X 18" X 22"
WEIGHT	32 LBS	62 LBS	67 LBS	112LBS
WARRANTY <small>*FOR MANUFACTURE DEFECTS</small>	2 YRS PUMP 2 YRS ENGINE	2 YRS PUMP 3 YRS ENGINE	2 YRS PUMP 3 YRS ENGINE	2 YRS PUMP 3 YRS ENGINE

POWERED by
HONDA
POWER EASE



MODEL #	TP-3070R	TP-2065HR	TP-3065HR	TP-3013HM	TP-4013HM
SERIES	WORKSHOP SERIES	COMMERCIAL SERIES	COMMERCIAL SERIES	INDUSTRIAL SERIES	INDUSTRIAL SERIES
PUMP TYPE	SEMI-TRASH	SEMI-TRASH	SEMI-TRASH	TRASH	TRASH
ENGINE TYPE	POWEEASE 225CC	HONDA GX200	HONDA GX200	HONDA GX390	HONDA GX390
INLET/ OUTLET PORT SIZE	3"	2"	3"	3"	4"
GPM	264	158	264	370	580
PSI	36	33	36	37	37
SUCTION LIFT	26'	26'	26'	26'	26'
TOTAL LIFT	85'	85'	85'	98'	95'
ENGINE OIL TYPE	SAE 10W 30	SAE 10W 30	SAE 10W 30	SAE 10W 30	SAE 10W 30
LOW OIL SHUTDOWN	YES	YES	YES	YES	YES
FUEL TANK CAPACITY	3.1L (0.82 US GAL)	3.1L (0.81 US GAL)	3.1L (0.82 US GAL)	6.1L (1.6 US GAL)	6.1L (1.6 US GAL)
HOUSING	ALUMINUM	ALUMINUM	ALUMINUM	ALUMINUM	ALUMINUM
IMPELLER	CAST IRON	CAST IRON	CAST IRON	CAST IRON	CAST IRON
FITTINGS	3" NPT	2" NPT	3" NPT	3" NPT	4" NPT
CAPACITY FOR SOLIDS	UP TO 5/8"	UP TO 5/8"	UP TO 5/8"	UP TO 1"	UP TO 1"
SHIPPING (LxWxH)	21" X 17" X 19"	21" X 17" X 19"	21" X 17" X 19"	26" X 18" X 22"	26" X 18" X 22"
WEIGHT	90 LBS	80 LBS	90 LBS	144 LBS	152 LBS
WARRANTY *FOR MANUFACTURE DEFECTS	2 YRS PUMP 2 YRS ENGINE	2 YRS PUMP 3 YRS ENGINE	2 YRS PUMP 3 YRS ENGINE	2 YRS PUMP 3 YRS ENGINE	2 YRS PUMP 3 YRS ENGINE

POWERED by
HONDA
POWEREASE



MODEL #	NP-2070R	NP-3070R	NP-2065HR	NP-3065HR
SERIES	WORKSHOP SERIES	WORKSHOP SERIES	COMMERCIAL SERIES	COMMERCIAL SERIES
ENGINE TYPE	POWEREASE 225CC	POWEREASE 225CC	HONDA GX200	HONDA GX200
INLET/OUTLET PORT SIZE	2"	3"	2"	3"
GPM	154	265	154	265
PSI	40	37	40	37
SUCTION LIFT	26'	26'	26'	26'
TOTAL LIFT	115'	92'	115'	92'
ENGINE OIL TYPE	SAE 10W 30	SAE 10W 30	SAE 10W 30	SAE 10W 30
LOW OIL SHUTDOWN	YES	YES	YES	YES
FUEL TANK CAPACITY	3.1L (0.82 US GAL)	3.1L (0.82 US GAL)	3.1L (0.82 US GAL)	3.1L (0.82 US GAL)
HOUSING	30% FIBER / POLYESTER	30% FIBER / POLYESTER	30% FIBER / POLYESTER	30% FIBER / POLYESTER
IMPELLER	30% FIBER / POLYESTER	30% FIBER / POLYESTER	30% FIBER / POLYESTER	30% FIBER / POLYESTER
FITTINGS	STANDARD 2" NPT	STANDARD 3" NPT	STANDARD 2" NPT	STANDARD 3" NPT
SHIPPING (LxWxH)	21" X 17" X 19"	21" X 17" X 19"	21" X 17" X 19"	21" X 17" X 19"
WEIGHT	60 LBS	64 LBS	60 LBS	64 LBS
WARRANTY <small>*FOR MANUFACTURE DEFECTS</small>	2 YRS PUMP 2 YRS ENGINE	2 YRS PUMP 2 YRS ENGINE	2 YRS PUMP 3 YRS ENGINE	2 YRS PUMP 3 YRS ENGINE

POWERED by
HONDA
POWER EASE



US FORESTRY APPROVED

MODEL #	HP-2070R	HP-2065HR	HP-2013HR
SERIES	WORKSHOP SERIES	COMMERCIAL SERIES	COMMERCIAL SERIES
ENGINE TYPE	POWEREASE 225CC	HONDA GX200	HONDA GX390
INLET/OUTLET PORT SIZE	2"	2"	2"
GPM	126	126	126
PSI	85	85	143
SUCTION LIFT	26'	26'	26'
TOTAL LIFT	197'	197'	330'
ENGINE OIL TYPE	SAE 10W 30	SAE 10W 30	SAE 10W 30
LOW OIL SHUTDOWN	YES	YES	YES
FUEL TANK CAPACITY	3.1L (0.82 US G)	3.1L (0.82 US G)	6.1L (1.6 US G)
HOUSING	ALUMINUM	ALUMINUM	CAST IRON
IMPELLER	ALUMINUM	ALUMINUM	ALUMINUM
FITTINGS	2" NPT	2" NPT	2" NPT
SHIPPING (LxWxH)	26" X 18" X 22"	26" X 18" X 22"	28" X 18" X 22"
WEIGHT	70 LBS	73 LBS	140 LBS
KIT WITH CART OPTION <small>*INCLUDES HOSES & NOZZLES</small>	HPFK-2070R	HPFC-2065HR	N/A
WARRANTY <small>*FOR MANUFACTURE DEFECTS</small>	2 YRS PUMP 2 YRS ENGINE	2 YRS PUMP 3 YRS ENGINE	2 YRS PUMP 3 YRS ENGINE

2" FIRE CART 196CC HONDA GX200 ENGINE PART# HPFC-2065HR

- Recoil start and low oil shutdown
- 2" Intake connection MNPT
- 2" Outlet connection MNPT
- 126 GPM max flow on pump
- Centrifugal aluminum pump
- Aluminum impeller
- 197' Total lift, 26' suction lift

INCLUDES :

- Fire nozzle
- 12' Suction hose
- 50' Fire hose
- Foot valve

POWERED by
HONDA

SHIPPING INFORMATION
WEIGHT: 130 LBS
UNITS PER PALLET: 2
DIMENSIONS (LXWXH): 30" X 29" X 23"



1.5" FIRE FIGHTING PUMP 196cc HONDA GX200 ENGINE PART# WS1565H

- Recoil start and low oil shutdown
- 78 GPM max flow
- 110 PSI max
- 120' Total lift, 26' suction lift
- 1 x 1.5" MNPSH inlet/outlet
- 2 x 1" outlet
- Spark arrestor

POWERED by
HONDA

SHIPPING INFORMATION
WEIGHT: 70 LBS
UNITS PER PALLET: 8
DIMENSIONS (LXWXH): 27" X 17.7" X 17"



2" FIRE FIGHTING PUMP KIT 225CC POWEREASE ENGINE PART# HPFK-2070R

- Recoil start and low oil shutdown
- Fuel tank capacity 0.95 gal. (3.6L)
- 2" Intake connection mnpt
- 2" Outlet connection mnpt
- 126 GPM max flow on pump
- Centrifugal aluminum pump
- Heavy duty aluminum impeller
- 197' Total lift, 26' suction lift

SHIPPING INFORMATION
WEIGHT: 86 LBS
UNITS PER PALLET: 6
DIMENSIONS (LXWXH): 28"X20"X18"



INCLUDES

- 50' fire hose, fire nozzle,
- 12' suction, hose, foot valve and priming jug



COMMERCIAL
SERIES

SUCTION HOSE SET PART# 50.400.000

INCLUDES:

- 1 x - 1.5" X 20' UL approved non-collapsible suction hose
- 1 x - 1.5" Suction strainer
- 1 x - 1.5" Type A camlock



FIRE HOSE DISCHARGE SET PART# 50.400.001

INCLUDES:

- 1x- 1.5" X 50' lay-flat fire hose w/FHT ends
- 1x - 1.5" FHT adaptor
- 1x - 1.5" UL approved fog nozzle



BOOSTER HOSE SET PART# 50.400.002

INCLUDES:

- 1x - 1" x 50' layflat UL approved garden hose with FHT ends
- 1x - UL approved spot/booster nozzle with FHT to GHT conversion end



POWER EASE



MODEL #	SP-500TD	SP-600BD	SP-650BD	SP-550SD
SERIES	WORKSHOP SERIES	WORKSHOP SERIES	WORKSHOP SERIES	WORKSHOP SERIES
MOTOR	.5 HP	.5 HP	.5 HP	.5 HP
TOTAL LIFT	28.5'	26'	26'	28.5'
FLOW @ 0'	1508 GPH	3036 GPH	3036 GPH	2905 GPH
FLOW @ 10'	900 GPH	2100 GPH	2100 GPH	2000 GPH
FLOW @ 20'	250 GPH	540 GPH	540 GPH	495 GPH
OUTLET PORT	0.75"	1.5"	1.5"	1.5"
DISCHARGE PORT	VERTICAL	VERTICAL	VERTICAL	VERTICAL
DISCHARGE LOCATION	TOP	BOTTOM	BOTTOM	SIDE/BOTTOM
ON/OFF	PLUG ONLY	VERTICAL	TETHERED	TETHERED
VOLTAGE	120V	120V	120V	120V
CABLE LENGTH	15'	15'	15'	25'
HOUSING	THERMOPLASTIC	THERMOPLASTIC	THERMOPLASTIC	THERMOPLASTIC
SOLIDS	2MM/ .08"	2MM/ .08"	2MM/ .08"	2MM/ .08"
SHIPPING (LxWxH)	7" X 8" X 12"	8" X 8" X 12"	8" X 8" X 12"	8" X 8" X 12"
WARRANTY	1 YEAR	1 YEAR	1 YEAR	1 YEAR
WEIGHT	8 LBS	10 LBS	10 LBS	10 LBS

POWER EASE



MODEL #	SP-750TD	ST-900SD	SP-900SD
SERIES	WORKSHOP SERIES	WORKSHOP SERIES	WORKSHOP SERIES
MOTOR	.75 HP	1 HP	1.5 HP
TOTAL LIFT	28'	36'	29.5'
FLOW @ 0'	2420 GPH	3434 GPH	3410 GPH
FLOW @ 10'	1580 GPH	2395 GPH	2299 GPH
FLOW @ 20'	397 GPH	1165 GPH	1121 GPH
OUTLET PORT	1.5"	1.5"	1.5"
DISCHARGE PORT	VERTICAL	VERTICAL	VERTICAL
DISCHARGE LOCATION	TOP	SIDE/BOTTOM	SIDE/BOTTOM
ON/OFF	TETHERED	TETHERED	TETHERED
VOLTAGE	120V	120V	120V
CABLE LENGTH	25'	25'	25'
HOUSING	STAINLESS STEEL	STAINLESS STEEL	STAINLESS STEEL
SOLIDS	2MM/ .08"	2MM/ .08"	6.35MM/ .25"
SHIPPING (LxWxH)	8" X 9" X 15"	8" X 9" X 15"	8" X 9" X 15"
WARRANTY	1 YEAR	1 YEAR	1 YEAR
WEIGHT	15 LBS	15 LBS	15 LBS

DISCHARGE HOSES & ACCESSORIES

WATER PUMP DISCHARGE HOSE KITS (BLUE)



PART#	SIZE	LENGTH	TEMP	PRESSURE:
85.400.084	1"	50FT	150°F	80 PSI
85.400.085	2"	50FT	150°F	80 PSI
85.400.086	3"	50FT	150°F	65 PSI
85.400.087	4"	50FT	150°F	55 PSI

WATER PUMP DISCHARGE HOSE KITS (RED)



PART#	SIZE	LENGTH	TEMP	PRESSURE
85.400.098	3"	50FT	150°F	150 PSI

SUCTION HOSE KITS



PART#	SIZE	LENGTH:	CAMLOCK	STRAINER
85.400.088	1"	25FT	ALUMINUM	NYLON
85.400.089	2"	25FT	ALUMINUM	STEEL
85.400.090	3"	25FT	ALUMINUM	STEEL
85.400.091	4"	25FT	ALUMINUM	NYLON

REPLACEMENT STRAINERS



PART#	SIZE	MATERIAL
50.002.400	2"	PLASTIC
50.003.400	3"	PLASTIC
50.004.400	4"	PLASTIC

PART#	SIZE	MATERIAL
50.002.012	2"	STEEL

POLYPROPYLENE CAMLOCK FITTINGS



	MALE COUPLER X FPT	FEMALE COUPLER X MPT	MALE BARB X FEMALE COUPLER	FEMALE COUPLER X FPT	MALE BARB X MALE COUPLER	MALE COUPLER X MPT	DUST PLUG	DUST CAP
TYPE	A	B	C	D	E	F	DP	DC
3/4" PART#	90.720.034	90.721.034	90.722.034	90.723.034	90.724.034	90.725.034	90.727.034	90.726.034
1" PART#	90.720.100	90.721.100	90.722.100	90.723.100	90.724.100	90.725.100	90.727.100	90.726.100
1-1/4" PART#	90.720.114	90.721.114	90.722.114	90.723.114	90.724.114	90.725.114	90.727.114	90.726.114
1-1/2" PART#	90.720.112	90.721.112	90.722.112	90.723.112	90.724.112	90.725.112	90.727.112	90.726.112
2" PART#	90.737.040	90.737.300	90.737.360	90.737.240	90.737.160	90.737.100	90.737.440	90.737.500
3" PART#	90.720.300	90.721.300	90.722.300	90.723.300	90.724.300	90.725.300	90.727.300	90.726.300

ALUMINUM CAMLOCK FITTINGS



	MALE COUPLER X FPT	FEMALE COUPLER X MPT	MALE BARB X FEMALE COUPLER	FEMALE COUPLER X FPT	MALE BARB X MALE COUPLER	MALE COUPLER X MPT	DUST PLUG	DUST CAP
TYPE	A	B	C	D	E	F	DP	DC
3/4" PART#	90.390.034	90.391.034	90.392.034	90.393.034	90.394.034	90.395.034	90.397.034	90.396.034
1" PART#	90.390.100	90.391.100	90.392.100	90.393.100	90.394.100	90.395.100	90.397.100	90.396.100
1-1/4" PART#	90.390.114	90.391.114	90.392.114	90.393.114	90.394.114	90.395.114	90.397.114	90.396.114
1-1/2" PART#	90.390.112	90.391.112	90.392.112	90.393.112	90.394.112	90.395.112	90.397.112	90.396.112
2" PART#	90.390.200	90.391.200	90.392.200	90.393.200	90.394.200	90.395.200	90.397.200	90.396.200
3" PART#	90.390.300	90.391.300	90.392.300	90.393.300	90.394.300	90.395.300	90.397.300	90.396.300
4" PART#	-	90.391.400	90.392.400	90.393.400	90.394.400	90.395.400	-	-

PRESSURE WASHER ACCESSORIES

BOXED PUMP ASSEMBLIES

PART#	DESCRIPTION
85.120.035B	2.5 GPM, BRASS HEAD
85.149.079B	4.0 GPM, 34000 RPM
85.149.085B	3.0G PM, 34000 RPM, 2700 PSI

BOXED PUMP
4.0GPM, 34000 RPM
PART# 85.149.079B



ACCESSORY KITS

PART#	DESCRIPTION
85.400.000	3 PC MULTI FLOW CHEMICAL INJECTOR KIT
85.400.118	PUMP PLUMBING KIT
85.400.202	COUPLER & PLUG KIT
85.400.203	O-RING & FILTER KIT
85.400.204	M22 FITTINGS KIT (14 PCS)
85.400.210	MNPT COUPLER KIT (14 PCS)

COUPLER & PLUG KIT
PART# 85.400.202



O-RING & FILTER KIT
PART# 85.400.203



NOZZLE SETS

PART#	DESCRIPTION
85.210.030	#030 NOZZLE SET
85.210.035	#035 NOZZLE SET
85.210.040	#040 NOZZLE SET
85.210.045	#045 NOZZLE SET
85.210.140	#4.0 ROTARY NOZZLE SET

#030 NOZZLE SET
PART# 85.210.030



COUPLERS & PLUGS

PART#	DESCRIPTION
85.300.101	1/4" QD STEEL PLUG
85.300.102	1/4" QC BRASS COUPLER
85.300.103	3/8" QC BRASS COUPLER
85.300.104	3/8" QD STEEL PLUG

STEEL PLUG
1/4" QD FNPT
PART# 85.300.101



50FT HOSE
4000 PSI, 3/8"
PART# 85.238.153



WATER INLET FILTER
1/2" MNPT X 3/4" FNPT
PART# 85.300.056



INSULATED STRAIGHT LANCE
INCL. GUN, WAND & COUPLER
900MM / 36"
PART# 85.205.026



ECONOMY ACCESSORY SET
INCLUDES GUN, LANCE,
VARI-NOZZLE & 25FT HOSE
PART# 85.400.320



PUMP OIL
1L / .26 GAL
PART# 85.490.000



ANTIFREEZE
16 OZ
PART# 85.490.046



BRASS BALL VALVES, NON CSA, FULL PORT, 1/4 TURN

PART#	DESCRIPTION
91.000.001	600 PSI, 1/4" FNPT THREAD
91.000.002	600 PSI, 3/8" FNPT THREAD
91.000.003	600 PSI, 1/2" FNPT THREAD *
91.000.004	600 PSI, 3/4" FNPT THREAD
91.000.005	600 PSI, 1" FNPT THREAD
91.000.006	600 PSI, 1 1/4" FNPT THREAD
91.000.007	600 PSI, 1 1/2" FNPT THREAD
91.000.008	600 PSI, 2" FNPT THREAD
91.000.010	600 PSI, 3" FNPT THREAD
91.000.012	600 PSI, 4" FNPT THREAD

1/2" FNPT FULL PORT 600 PSI BRASS BALL VALVE PART# 91.000.003



316 SS 1000PSI LOCKING HANDLE BALL VALVES

PART#	DESCRIPTION
91.200.001	BALL VALVE, SS 1/4", 316, 1000 PSI
91.200.002	BALL VALVE, SS 3/8", 316, 1000 PSI
91.200.003	BALL VALVE, SS 1/2", 316, 1000 PSI
91.200.004	BALL VALVE, SS 3/4", 316, 1000 PSI
91.200.005	BALL VALVE, SS 1", 316, 1000 PSI
91.200.006	BALL VALVE, SS 1 1/4", 316, 1000 PSI
91.200.007	BALL VALVE, SS 1 1/2", 316, 1000 PSI
91.200.008	BALL VALVE, SS 2", 316, 1000 PSI
91.200.009	BALL VALVE, SS 2 1/2", 316, 1000 PSI
91.200.010	BALL VALVE, SS 3", 316, 1000 PSI

STAINLESS STEEL BALL VALVE 1000 PSI WOG 316 VALVES PART# 91.200.001



GATE VALVES, BRASS, FULL PORT

PART#	DESCRIPTION
92.000.003	200 PSI, 1/2" FNPT THREAD
92.000.004	200 PSI, 3/4" FNPT THREAD
92.000.005	200 PSI, 1" FNPT THREAD
92.000.006	200 PSI, 1 1/4" FNPT THREAD
92.000.007	200 PSI, 1 1/2" FNPT THREAD
92.000.008	200 PSI, 2" FNPT THREAD
92.000.009	200 PSI, 2 1/2" FNPT THREAD
92.000.010	200 PSI, 3" FNPT THREAD
92.000.012	200PSI, 4" FNPT THREAD

1/2" FULL PORT NPT GATE VALVE PART# 92.000.003



BRASS BALL VALVES, FULL PORT, SOLDER ENDS

PART#	DESCRIPTION
91.500.005	600 PSI, 1" SOLDER *
91.500.006	600 PSI, 1 1/4" SOLDER *
91.500.007	600 PSI, 1 1/2" SOLDER *
91.500.008	600 PSI, 2" SOLDER *

SOLDER 1" BRASS BALL VALVE PART# 91.500.005



LIMITED STOCK

UL APPROVED

BSP BALL VALVE

PART# 91.150.140



BSP BALL VALVES, NICKEL PLATED BRASS

PART#	DESCRIPTION
91.150.140	3/8" MNPT X 1/2" MBSP
91.150.150	1/2" MNPT X 1/2" MBSP

CHROMED LEVER MINI BALL VALVE

PART# 91.400.001



CHROME LEVER MINI BALL VALVES

PART#	DESCRIPTION
91.400.001	CHROMED BRASS, 200 PSI, 1/4" FNPT X 1/4" FNPT THREAD, TEFLON SEAT, VITON SEALS
91.401.001	CHROMED BRASS, 200 PSI, 1/4" MNPT X 1/4" FNPT THREAD, TEFLON SEAT, VITON SEALS
91.400.002	CHROMED BRASS, 200 PSI, 3/8" FNPT X 3/8" FNPT THREAD, TEFLON SEAT, VITON SEALS
91.401.002	CHROMED BRASS, 200 PSI, 3/8" MNPT X 3/8" FNPT THREAD, TEFLON SEAT, VITON SEALS
91.400.003	CHROMED BRASS, 200 PSI, 1/2" FNPT X 1/2" FNPT THREAD, TEFLON SEAT, VITON SEALS
91.401.003	CHROMED BRASS, 200 PSI, 1/2" MNPT X 1/2" FNPT THREAD, TEFLON SEAT, VITON SEALS

CHROMED T-HANDLE MINI BALL VALVE

PART# 91.400.101



CHROME T-HANDLE MINI BALL VALVES

PART#	DESCRIPTION
91.400.101	CHROMED BRASS, 200 PSI, 1/4" FNPT X 1/4" FNPT THREAD, TEFLON SEAT, VITON SEALS
91.401.101	CHROMED BRASS, 200 PSI, 1/4" MNPT X 1/4" FNPT THREAD, TEFLON SEAT, VITON SEALS
91.400.102	CHROMED BRASS, 200 PSI, 3/8" FNPT X 3/8" FNPT THREAD, TEFLON SEAT, VITON SEALS
91.401.102	CHROMED BRASS, 200 PSI, 3/8" MNPT X 3/8" FNPT THREAD, TEFLON SEAT, VITON SEALS
91.400.103	CHROMED BRASS, 200 PSI, 1/2" FNPT X 1/2" FNPT THREAD, TEFLON SEAT, VITON SEALS
91.401.103	CHROMED BRASS, 200 PSI, 1/2" MNPT X 1/2" FNPT THREAD, TEFLON SEAT, VITON SEALS

NOZZLE BALL VALVE MNPT

PART# 91.900.156



NOZZLE BALL VALVES

PART#	DESCRIPTION
91.900.056	BRASS, 1/4" FNPT X 11/16" M NOZZLE THREAD
91.900.156	BRASS, 1/4" MNPT X 11/16" M NOZZLE THREAD

ELECTRIC LOG SPLITTERS

5 TON ELECTRIC LOG SPLITTER 115V
CSA APPROVED
PART# LS5TELL



5
TON
SPLITTING
FORCE

7
TON
SPLITTING
FORCE

ELECTRIC
MOTOR

PART#	LS5TELL	LS7TELL
POWER OUTPUT	1300W	1300W
RATED CURRENT	12A	13.5A
OIL CAPACITY	3.8L	3.8L
CYCLE TIME	14 SECOND	14 SECOND
MAX PRESSURE	2700 PSI	2700 PSI
CYLINDER	2.2" X 17"	2.2" X 17"
AUTO RETURN STANDARD VALVE TYPE	✓	✓
*SPLITTING DIAMETER	10"	10"
SPLITTING LENGTH	20.5"	20.5"
SHIPPING WEIGHT	110 LBS	117 LBS

REPLACEMENT WEAR PARTS

PART#	LS5TELL	LS7TELL
WHEEL	330-436	330-436
HYDRAULIC VALVE	520-974	520-974
HYDRAULIC PUMP	550-203	550-203
LOG HOLDER	320-935	320-935

* SPLITTING DIAMETER VARIES WITH TYPE OF WOOD AND ENVIRONMENTAL CONDITIONS

OPTIONS



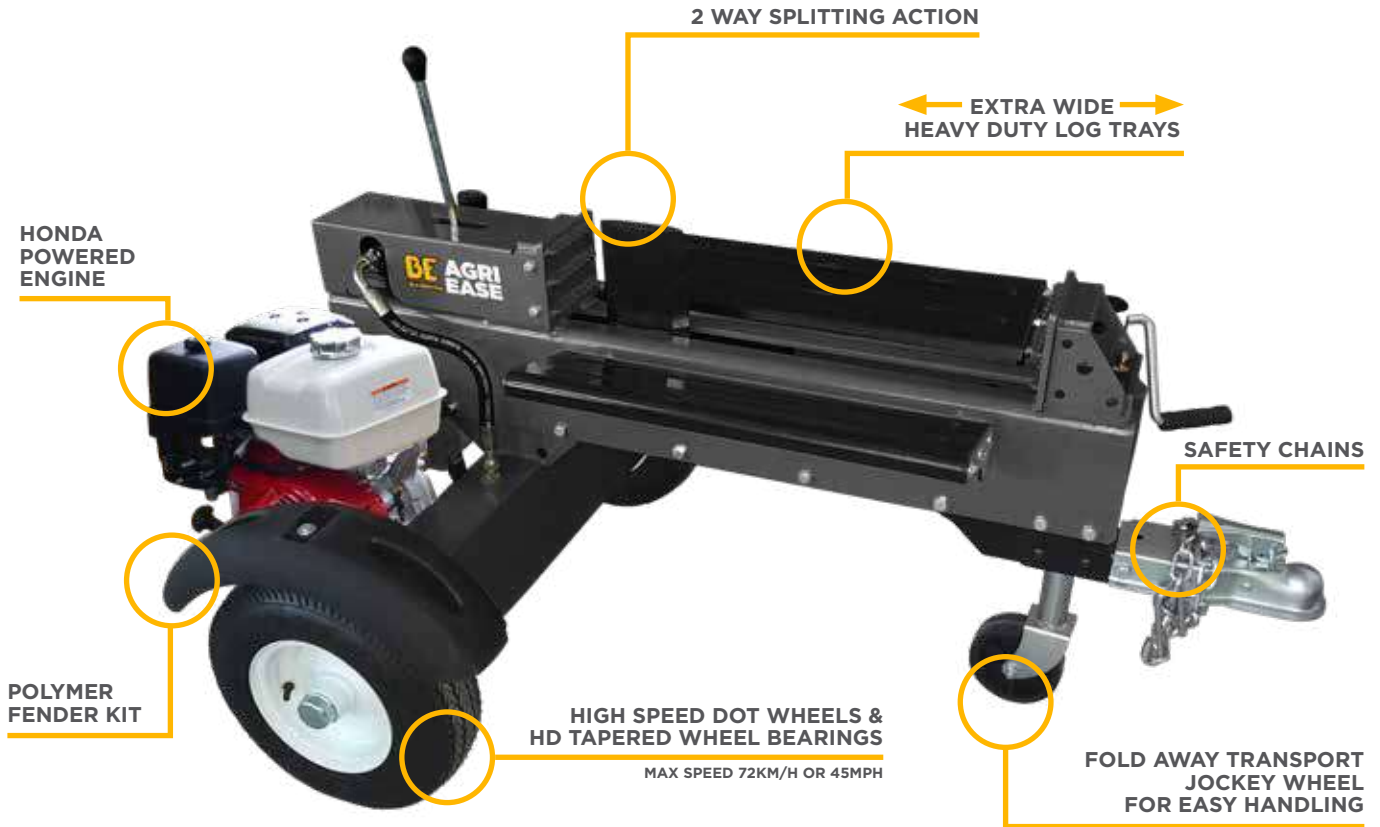
SPLITTER STAND
24" OPERATING HEIGHT
LS5TELLSTAND



4 WAY SPLITTING ACTION
4 WAY WEDGE
LS4ELLWEDGE

16 TON 2-WAY LOG SPLITTER
PART# BE-LS16TL6565GX

POWERED by
HONDA™



2 WAY SPLITTING ACTION	16 TON SPLITTING FORCE	6.5 HP HONDA ENGINE	INCLUDES OIL	2" BALL COUPLER
-------------------------------	-------------------------------	----------------------------	---------------------	------------------------

PART #	**BE-LS16TLK	BE-LS16TL6565GX
ENGINE	KOHLER SH270 196 CC / 6.5 HP	HONDA GX200 196 CC / 6.5 HP
SPLIT FORCE	16 TON	16 TON
LOG LENGTH	20"	20"
*SPLITTING DIAMETER	13"	13"
WEDGE HEIGHT	6.5"	6.5"
CYCLE TIME	5.5 SECONDS	5.5 SECONDS
PUMP	11 GPM HI-LOW	11 GPM HI-LOW
MAX PRESSURE	3400 PSI	3400 PSI
CYLINDER	3.5" X 18"	3.5" X 18"
SHIPPING WEIGHT	350 LBS	350 LBS
OIL CAPACITY	12 L TANK / 2.5 L CYLINDER	12 L TANK / 2.5 L CYLINDER

REPLACEMENT WEAR PARTS

PART#	BE-LS16TL6565GX	
WHEEL	330-524	330-524
HYDRAULIC VALVE	520-766	520-766
HYDRAULIC PUMP	LSTL13	LSTL13
AXLE DUST CAP	330-631	330-631

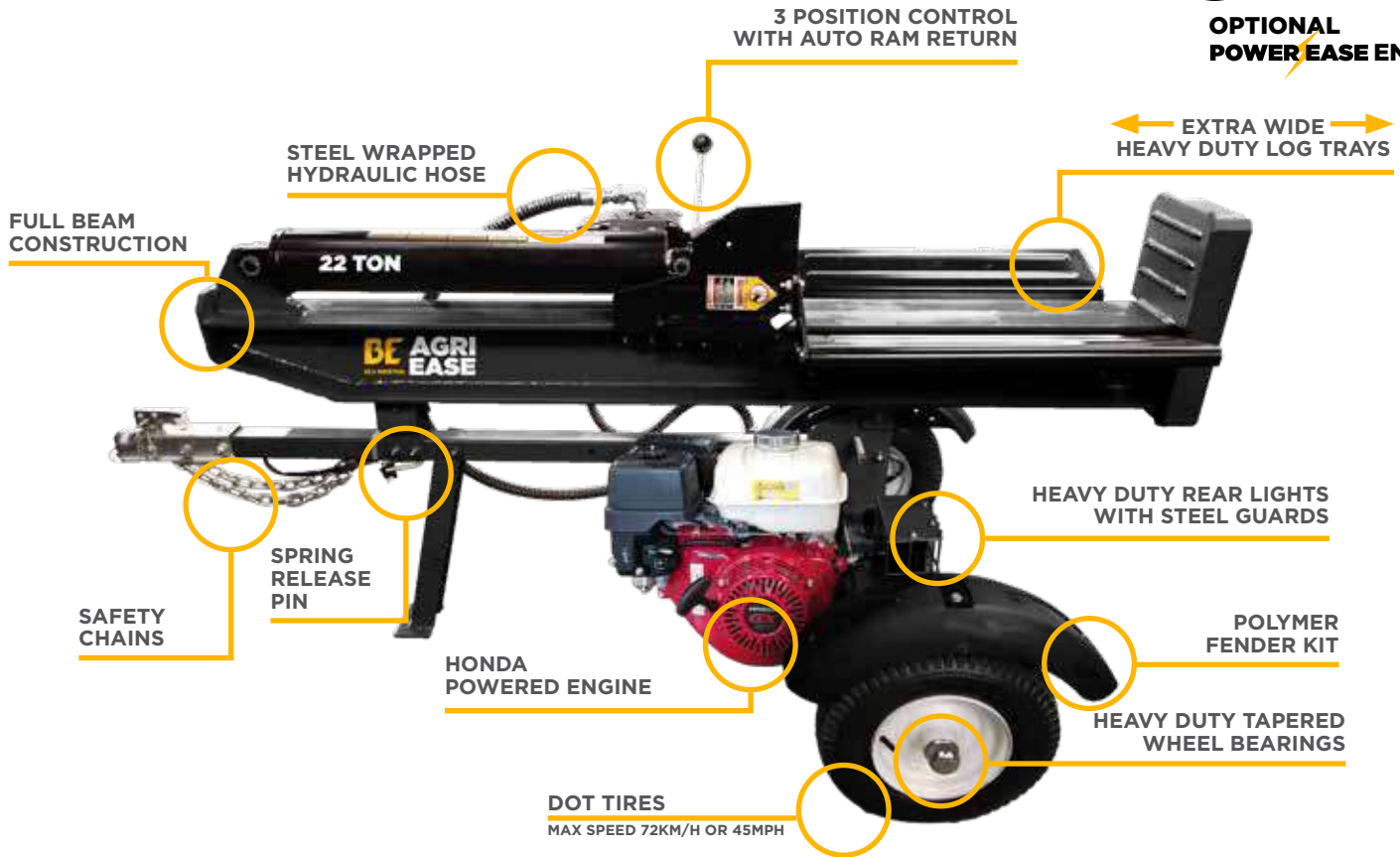
* SPLITTING DIAMETER VARIES WITH TYPE OF WOOD AND ENVIRONMENTAL CONDITIONS

** KOHLER LOG SPLITTERS AVAILABLE LATE SPRING 2022

22 TON DELUXE LOG SPLITTERS

PART# BE-LS22TL65065GX

POWERED by **HONDA™**
OPTIONAL POWER EASE ENGINE



22 TON SPLITTING FORCE	7 HP POWER EASE ENGINE	6.5 HP HONDA ENGINE	INCLUDES OIL	HORIZONTAL & VERTICAL POSITION	2" BALL COUPLER	OPTIONS 4 WAY CROSS WEDGE LS4LWEDGE-NS
----------------------------------	----------------------------------	-------------------------------	--------------	--------------------------------	-----------------	---

PART #	BE-LS22TL65070	**BE-LS22TLK	BE-LS22TL65065GX
ENGINE	POWER EASE 212 CC / 7 HP	KOHLER SH270 196 CC / 6.5 HP	HONDA GX200 196 CC / 6.5 HP
SPLIT FORCE	22 TON	22 TON	22 TON
LOG LENGTH	25"	25"	25"
*SPLITTING DIAMETER	16"	16"	16"
WEDGE HEIGHT	8"	8"	8"
CYCLE TIME	13 SECONDS	13 SECONDS	13 SECONDS
PUMP	9 GPM HI-LO	9 GPM HI-LO	9 GPM HI-LO
MAX PRESSURE	3400 PSI	3400 PSI	3400 PSI
CYLINDER	4" X 24"	4" X 24"	4" X 24"
SHIPPING WEIGHT	518 LBS	518 LBS	518 LBS
OIL CAPACITY	12 L TANK / 3.25 L CYLINDER	12 L TANK / 3.25 L CYLINDER	12 L TANK / 3.25 L CYLINDER

REPLACEMENT WEAR PARTS

PART#	BE-LS22TL65070	BE-LS22TLK	BE-LS22TL65065GX
WHEEL	LSTL57	LSTL57	LSTL57
HYDRAULIC VALVE	LSTL13	LSTL13	LSTL13
HYDRAULIC FILTER	51553	51553	51553
AXLE DUST CAP	LSTL60	LSTL60	LSTL60

* SPLITTING DIAMETER VARIES WITH TYPE OF WOOD AND ENVIRONMENTAL CONDITIONS

** KOHLER LOG SPLITTERS AVAILABLE LATE SPRING 2022

22 TON 3PT HITCH TRACTOR MOUNTED-LOG SPLITTER
WITH HYDRAULIC HOSES & QD TIPS
 PART# BE-LS22TL3PT



22 TON SPLITTING FORCE

HORIZONTAL & VERTICAL POSITION

MINIMUM 6 GPM REQUIRED



PART#	BE-LS22TL3 POINT
SPLIT FORCE	22 TON
LOG LENGTH	25"
*SPLITTING DIAMETER	16"
WEDGE HEIGHT	8"
SHIPPING WEIGHT	375 LBS
OIL CAPACITY	3.25 L CYLINDER

REPLACEMENT WEAR PARTS

PART#	BE-LS22TL3 POINT
WHEEL	LSTL57

* SPLITTING DIAMETER VARIES WITH TYPE OF WOOD AND ENVIRONMENTAL CONDITIONS

OPTIONS

4 WAY SPLITTING ACTION
4 WAY CROSS WEDGE
 LS4LWEDGE-NS

LOG SPLITTERS

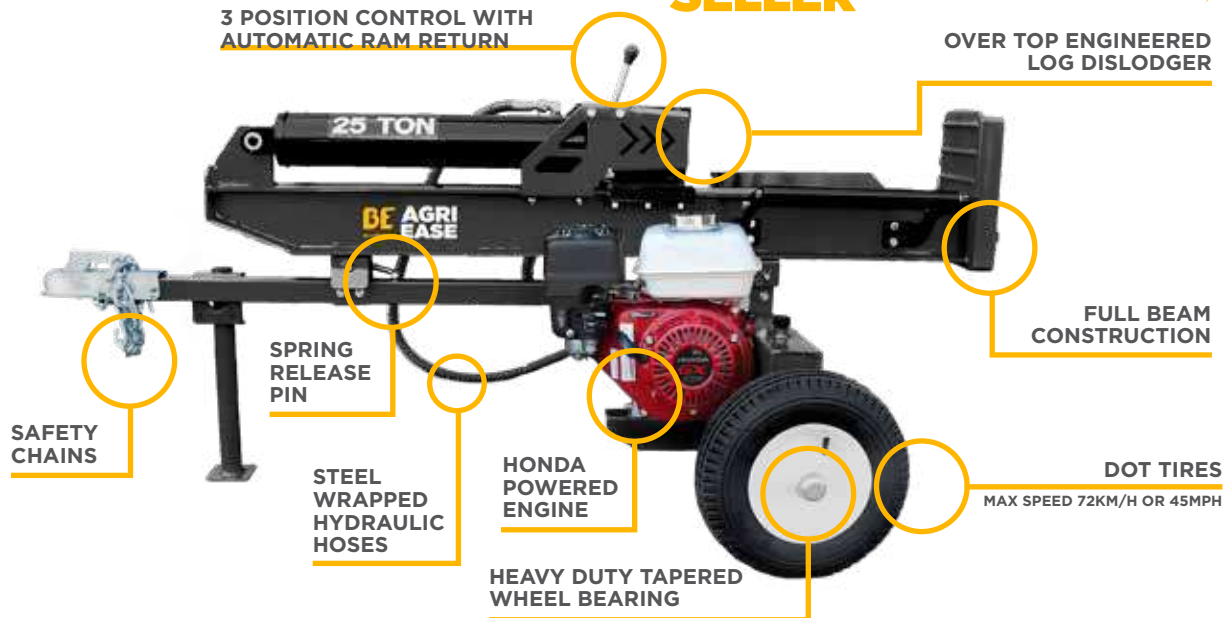
25 TON DELUXE LOG SPLITTER

PART# BE-LS25TLE65GX

POWERED by **HONDA™**

OPTIONAL **POWER EASE ENGINE**

★ **BEST SELLER** ★



BE ECONOMY SPLITTERS CAN BE SHIPPED BY CONTAINER QUANTITY:

84 PIECES/CONTAINER.

INQUIRE ABOUT FULL CONTAINER PRICING.

25 TON
SPLITTING
FORCE

7 HP
POWER EASE
ENGINE

6.5 HP
HONDA
ENGINE

✂
MINOR
ASSEMBLY

HORIZONTAL
& VERTICAL
POSITION

2" BALL
COUPLER

OPTIONS

4 WAY CROSS WEDGE
LS4LWEDGE-NS25T



PART #	BE-LS25TLE65070	**BE-LS25TLEK	BE-LS25TLE65GX
ENGINE	POWER EASE 212 CC / 7 HP	KOHLER SH270 196 CC / 6.5 HP	HONDA GX200 196 CC / 6.5 HP
SPLIT FORCE	25 TON	25 TON	25 TON
LOG LENGTH	24"	24"	24"
*SPLITTING DIAMETER	14"	14"	14"
WEDGE HEIGHT	7"	7"	7"
CYCLE TIME - FORWARD	7 SECONDS	7 SECONDS	7 SECONDS
CYCLE TIME - REVERSE	5 SECONDS	5 SECONDS	5 SECONDS
PUMP	9 GPM HI-LO	9 GPM HI-LO	9 GPM HI-LO
MAX PRESSURE	3400 PSI	3400 PSI	3400 PSI
CYLINDER	4" X 22"	4" X 22"	4" X 22"
SHIPPING WEIGHT	532 LBS	532 LBS	532 LBS
OIL CAPACITY	12 L TANK / 3.2 L CYLINDER	12 L TANK / 3.2 L CYLINDER	12 L TANK / 3.2 L CYLINDER

REPLACEMENT WEAR PARTS

PART#	BE-LS25TLE65070	BE-LS25TLEK	BE-LS25TLE5GC
WHEEL	330-524	330-524	330-524
HYDRAULIC VALVE	520-767	520-767	520-767
AXLE DUST CAP	330-631	330-631	330-631

* SPLITTING DIAMETER VARIES WITH TYPE OF WOOD AND ENVIRONMENTAL CONDITIONS

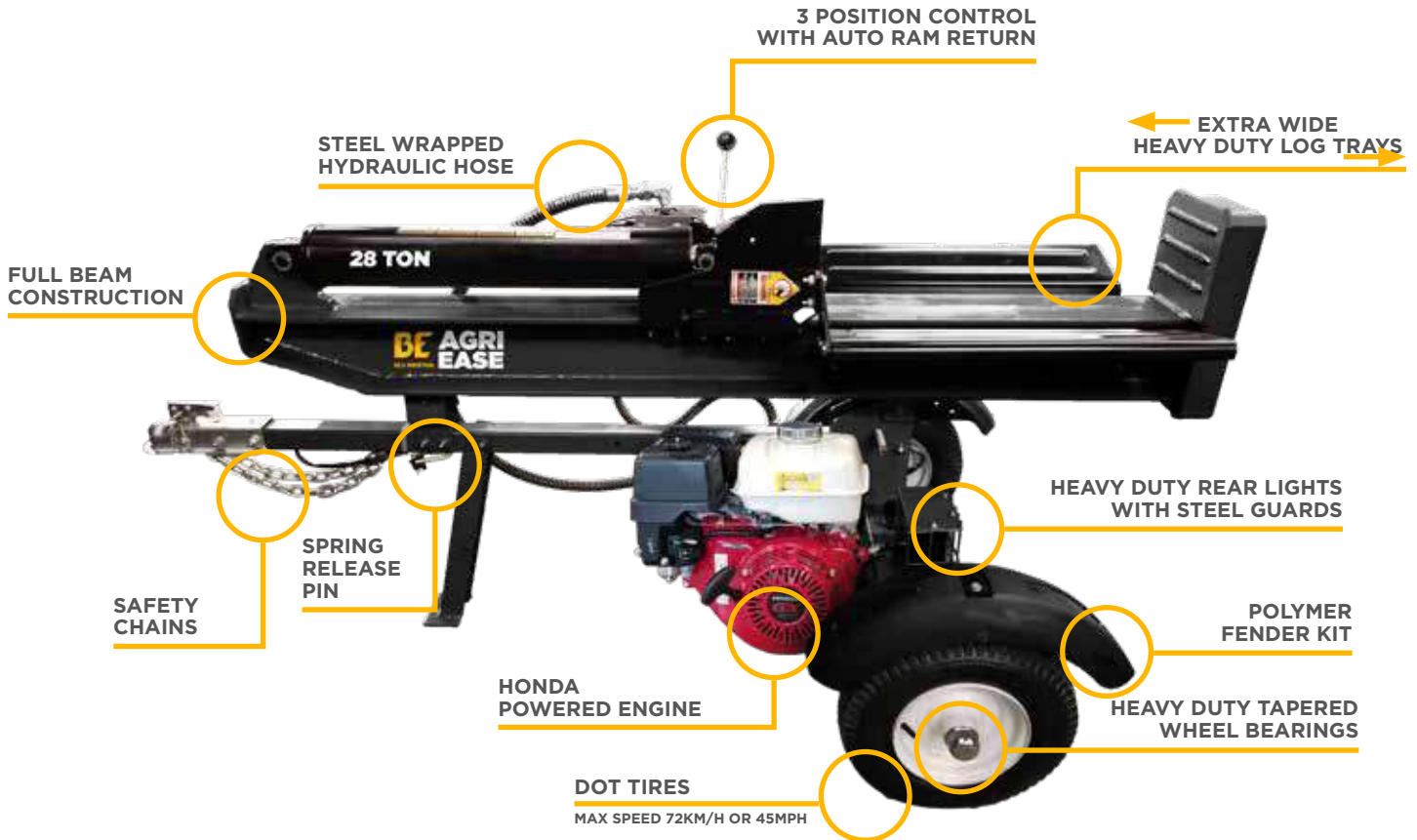
** KOHLER LOG SPLITTERS AVAILABLE LATE SPRING 2022

LOG SPLITTERS

28 TON DELUXE LOG SPLITTER

PART# BE-LS28TL65065GX

POWERED by **HONDA™**



28 TON SPLITTING FORCE	6.5 HP HONDA ENGINE	INCLUDES OIL	HORIZONTAL & VERTICAL POSITION	2" BALL COUPLER	OPTIONS 4 WAY CROSS WEDGE LS4LWEDGE-NS
-------------------------------	----------------------------	---------------------	---	------------------------	--

PART #	**BE-LS28TEK	BE-LS28TL65065GX
ENGINE	KOHLER SH270 196 CC / 6.5 HP	HONDA GX200 196 CC / 6.5 HP
SPLIT FORCE	28 TON	28 TON
LOG LENGTH	25"	25"
*SPLITTING DIAMETER	16"	16"
WEDGE HEIGHT	8"	8"
CYCLE TIME	13 SECONDS	13 SECONDS
PUMP	11 GPM HI-LO	11 GPM HI-LO
MAX PRESSURE	3450 PSI	3450 PSI
CYLINDER	4.5" X 24"	4.5" X 24"
SHIPPING WEIGHT	551 LBS	551 LBS
OIL CAPACITY	12 L TANK / 4.5 L CYLINDER	12 L TANK / 4.5 L CYLINDER

REPLACEMENT WEAR PARTS

PART#	BE-LS28TL65065GX	
WHEEL	LSTL57	LSTL57
HYDRAULIC VALVE	LSTL13	LSTL13
HYDRAULIC FILTER	51553	51553
AXLE DUST CAP	LSTL60	LSTL60

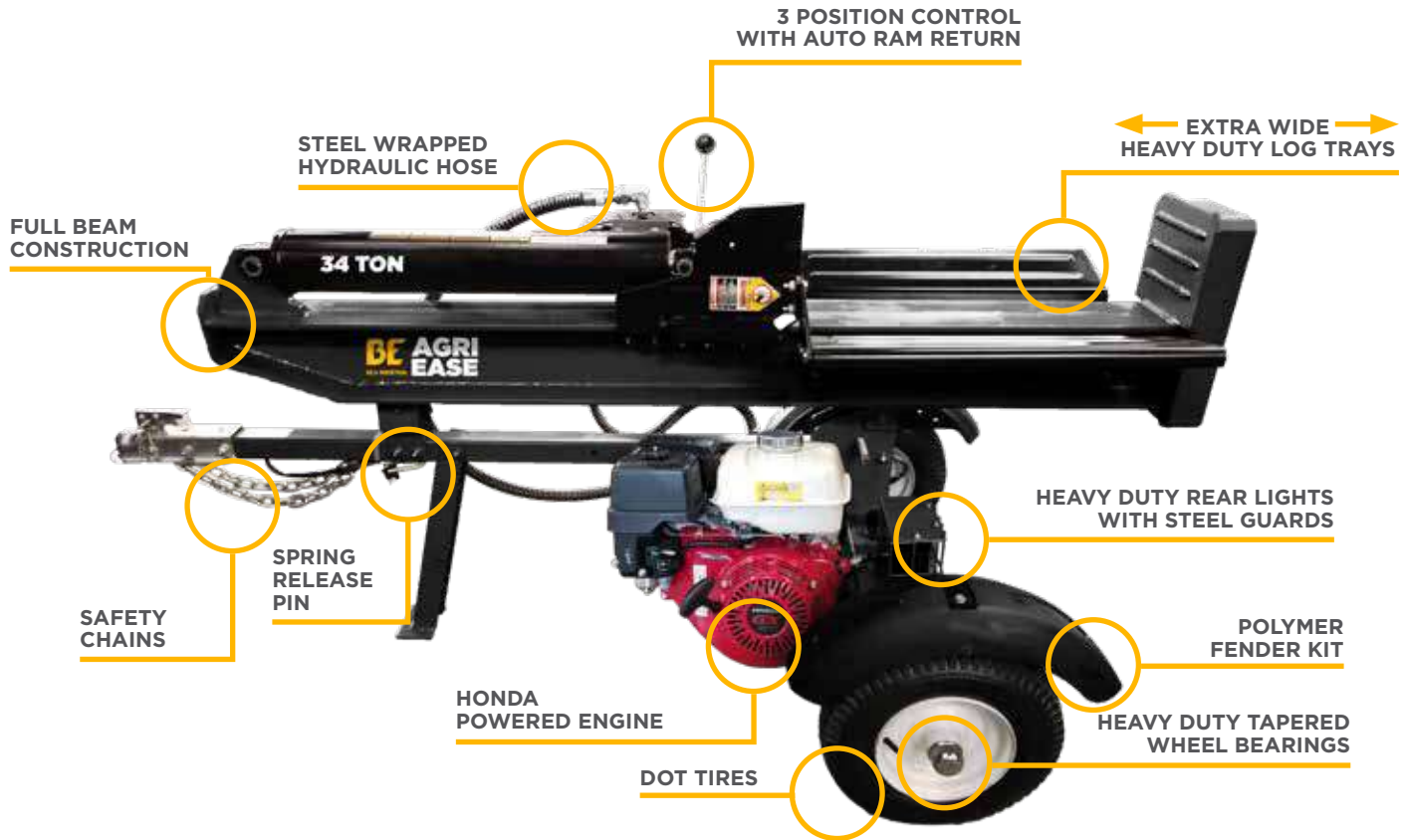
* SPLITTING DIAMETER VARIES WITH TYPE OF WOOD AND ENVIRONMENTAL CONDITIONS

** KOHLER LOG SPLITTERS AVAILABLE LATE SPRING 2022

34 TON DELUXE LOG SPLITTER

PART# BE-LS34TL6509GX

POWERED by
HONDA™



PART #	BE-LS34TL6509GX
ENGINE	HONDA GX270 270 CC / 9 HP
SPLIT FORCE	34 TON
LOG LENGTH	25"
*SPLITTING DIAMETER	16"
WEDGE HEIGHT	8"
CYCLE TIME	11 SECONDS
PUMP	16 GPM HI-LO
MAX PRESSURE	3500 PSI
CYLINDER	5" X 24"
SHIPPING WEIGHT	633 LBS
OIL CAPACITY	18 L TANK / 6 L CYLINDER

OPTIONS



4 WAY SPLITTING ACTION
4 WAY CROSS WEDGE
LS4LWEDGE-NS

REPLACEMENT WEAR PARTS

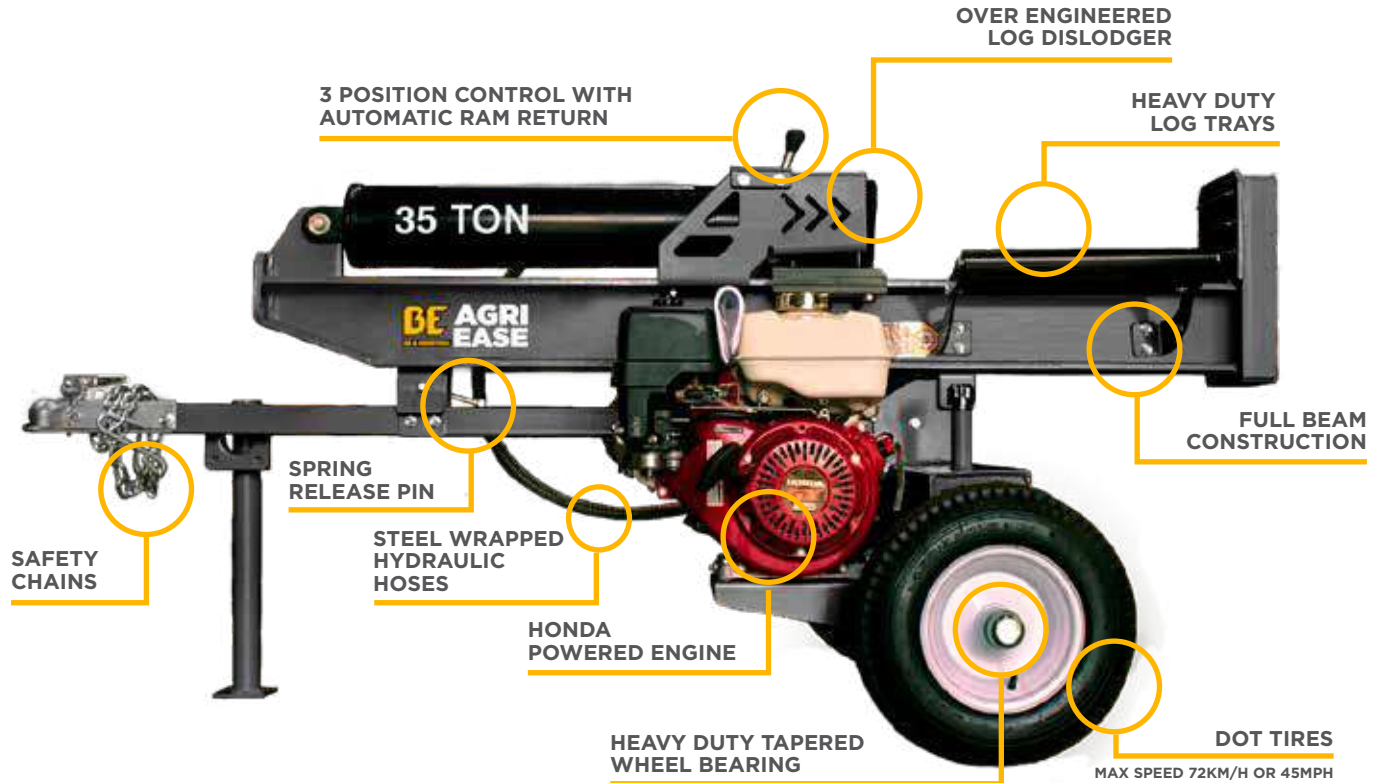
PART#	BE-LS34TL6509GX
WHEEL	LSTL57
HYDRAULIC VALVE	LSTL13
HYDRAULIC FILTER	51553
AXLE DUST CAP	LSTL60

* SPLITTING DIAMETER VARIES WITH TYPE OF WOOD AND ENVIRONMENTAL CONDITIONS

35 TON ECONOMY POWERED LOG SPLITTERS

BE-LS35TLE270GX

POWERED by
HONDA™



35 TON
SPLITTING
FORCE

9 HP
HONDA
ENGINE

HORIZONTAL
& VERTICAL
POSITION

2" BALL
COUPLER

PART #	BE-LS35TLE270GX
ENGINE	HONDA GX270 270 CC / 9 HP
SPLIT FORCE	35 TON
LOG LENGTH	25"
*SPLITTING DIAMETER	16"
WEDGE HEIGHT	8"
CYCLE TIME	11 SECONDS
PUMP	16 GPM HI-LO
MAX PRESSURE	3500 PSI
CYLINDER	5" X 24"
WEIGHT	590
OIL CAPACITY	18 L TANK / 6 L CYLINDER

OPTIONS

4 WAY SPLITTING ACTION
4 WAY CROSS WEDGE
LS4LWEDGE-NS25T

REPLACEMENT WEAR PARTS

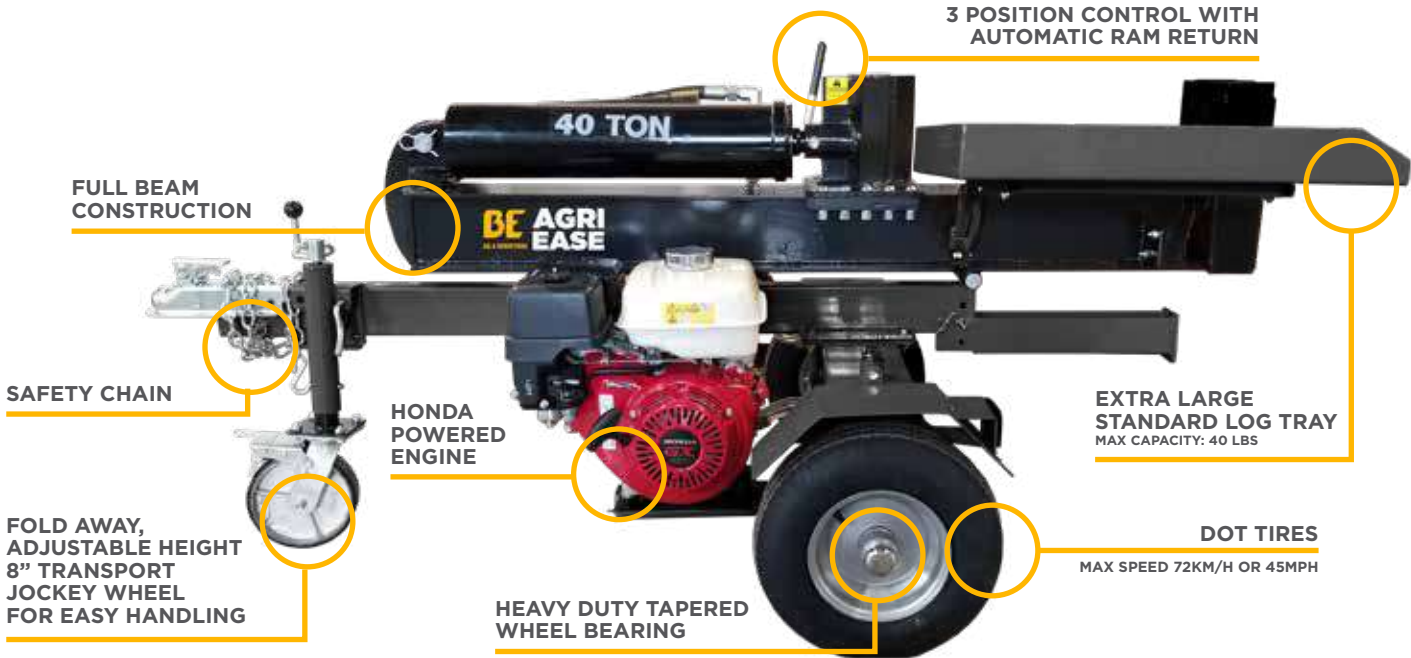
PART#	BE-LS35TLE270GX
WHEEL	330-524
HYDRAULIC VALVE	520-767
AXLE DUST CAP	330-631

* SPLITTING DIAMETER VARIES WITH TYPE OF WOOD AND ENVIRONMENTAL CONDITIONS



40 TON TOW BEHIND LOG SPLITTER
BE-LS40TS390

POWERED by
HONDA™



40 TON SPLITTING FORCE	13 HP HONDA ENGINE	 INCLUDES OIL	 HORIZONTAL & VERTICAL POSITION	 2" BALL COUPLER
----------------------------------	------------------------------	---	---	--

PART#	BE-LS40TS390
ENGINE	HONDA GX390 389 CC / 13 HP
SPLIT FORCE	40 TON
LOG LENGTH	21.5"
*SPLITTING DIAMETER	16"
WEDGE HEIGHT	8"
CYCLE TIME	18 SECONDS
PUMP	16 GPM HI-LO
MAX PRESSURE	3500 PSI
CYLINDER	5" X 20"
SHIPPING WEIGHT	664 LBS
OIL CAPACITY	16 L TANK / 6.5 L CYLINDER

OPTIONS



4 WAY SPLITTING ACTION
4 WAY CROSS WEDGE
LS4W40

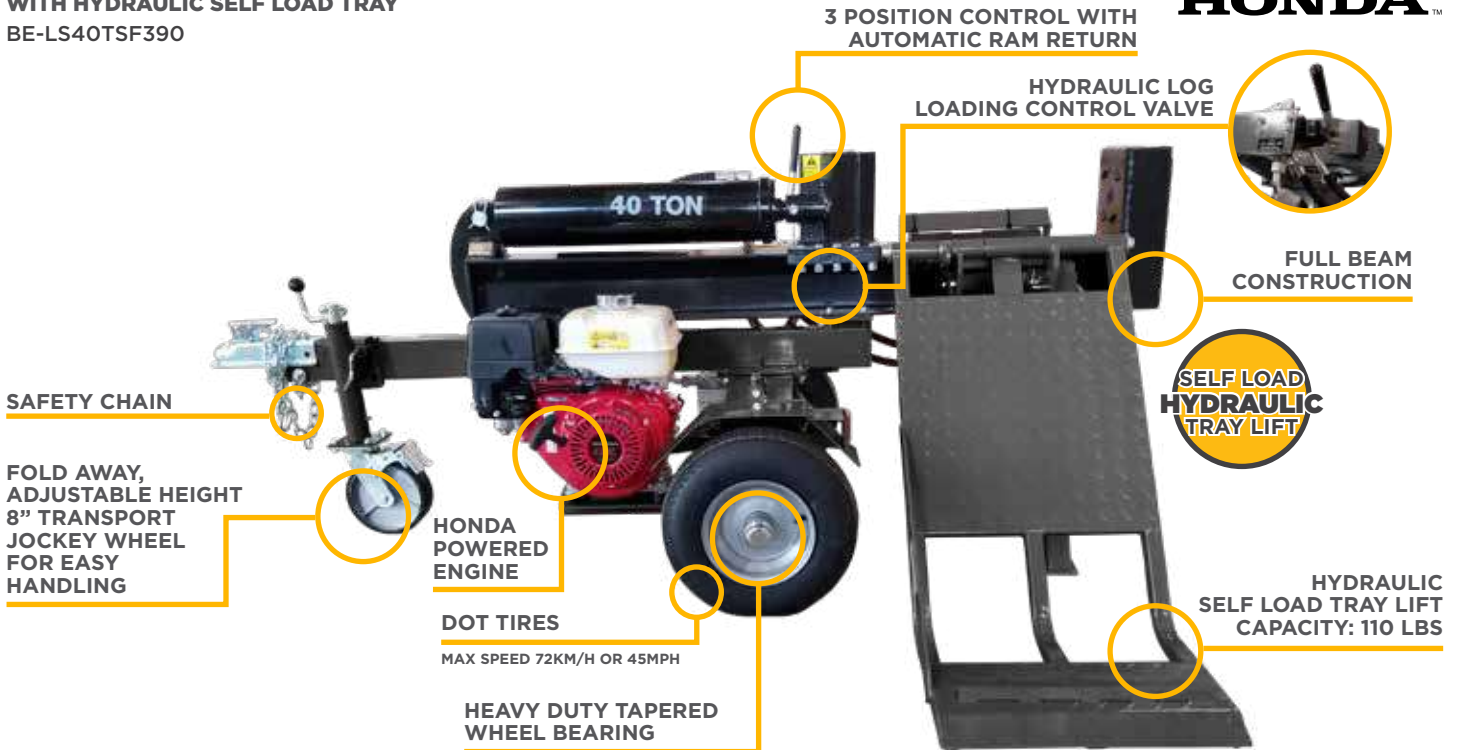
* SPLITTING DIAMETER VARIES WITH TYPE OF WOOD AND ENVIRONMENTAL CONDITIONS

LOG SPLITTERS



**40 TON LOG SPLITTER
WITH HYDRAULIC SELF LOAD TRAY**
BE-LS40TSF390

POWERED by
HONDA™



40 TON SPLITTING FORCE	13 HP HONDA ENGINE	2" BALL COUPLER	OPTIONS 40 TON 4 WAY CROSS WEDGE LS4W40
-------------------------------	---------------------------	------------------------	---

PART#	BE-LS40TSF390
ENGINE	HONDA GX390 389 CC / 13 HP
SPLIT FORCE	40 TON
LOG LENGTH	21.5"
*SPLITTING DIAMETER	16"
WEDGE HEIGHT	8"
CYCLE TIME	18 SECONDS
PUMP	16 GPM HI-LO
MAX PRESSURE	3500 PSI
CYLINDER	5" X 20"
WEIGHT	700 LBS
OIL CAPACITY	16 L TANK / 6.5 L CYLINDER



* SPLITTING DIAMETER VARIES WITH TYPE OF WOOD AND ENVIRONMENTAL CONDITIONS



**2-IN-1 FLYWHEEL
WOOD CHIPPER SHREDDER**
PART# BE-WCGF3R7



PART #	BE-WCGF3R7
ENGINE	POWEREASE 212 CC / 7 HP
ROTOR BLADES	2
ROTOR HAMMERS	4
ROTOR DEPTH	8.5 MM
CHIPPER CAPACITY	3"
HOPPER CAPACITY	1/2"
WEIGHT	121 LBS

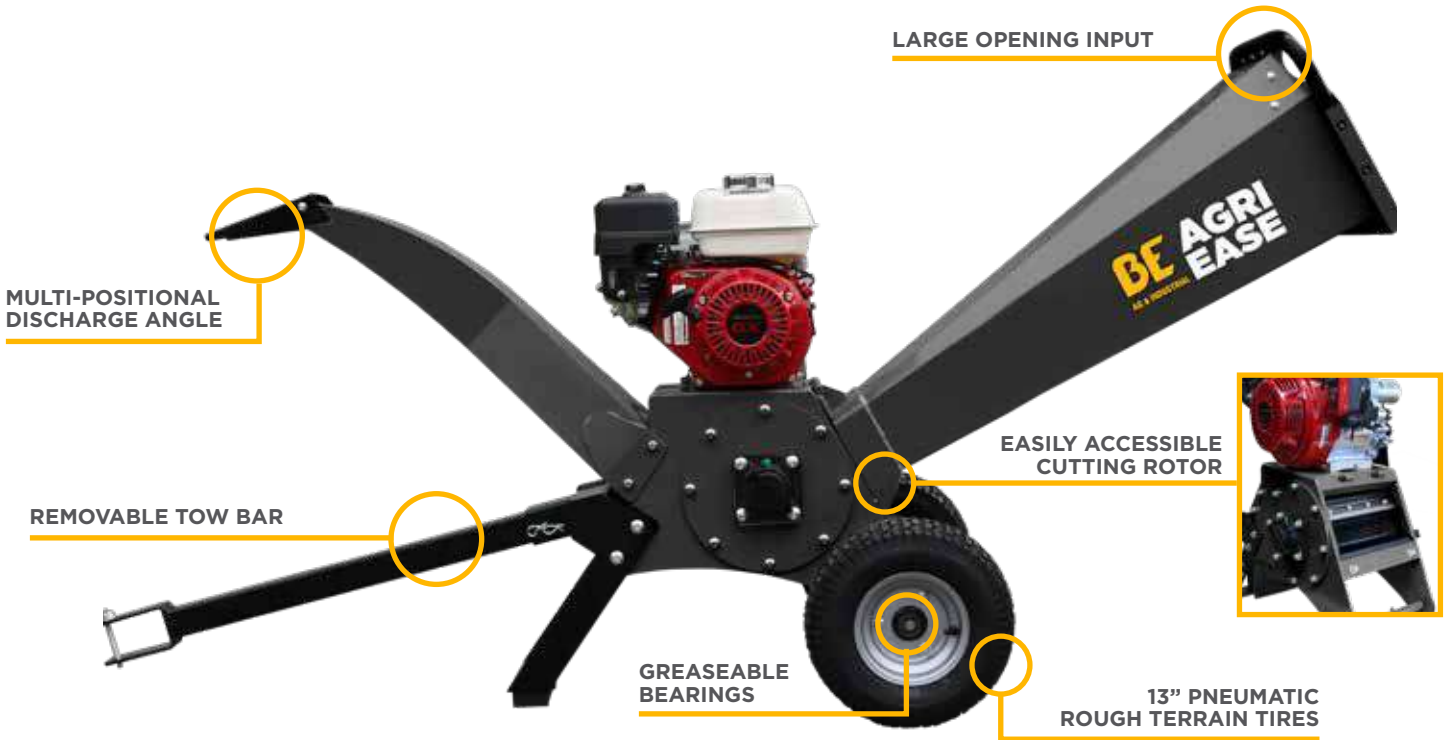
REPLACEMENT PARTS

Y HAMMER - 4 NEEDED	102.104B.052
KNIFE - 2 NEEDED	102.104B.058

WOOD CHIPPERS



**3" DRUM
WOOD CHIPPER**
PART# BE-WCGR3R65



**6.5
HP**
HONDA
ENGINE

**7
HP**
POWEEASE
ENGINE

**13" ROUGH
TERRAIN TIRES**

**INCLUDES
DOCUMENT
HOLDER**

3"

POWERED by **HONDA**™ **OPTIONAL
POWEEASE ENGINE**

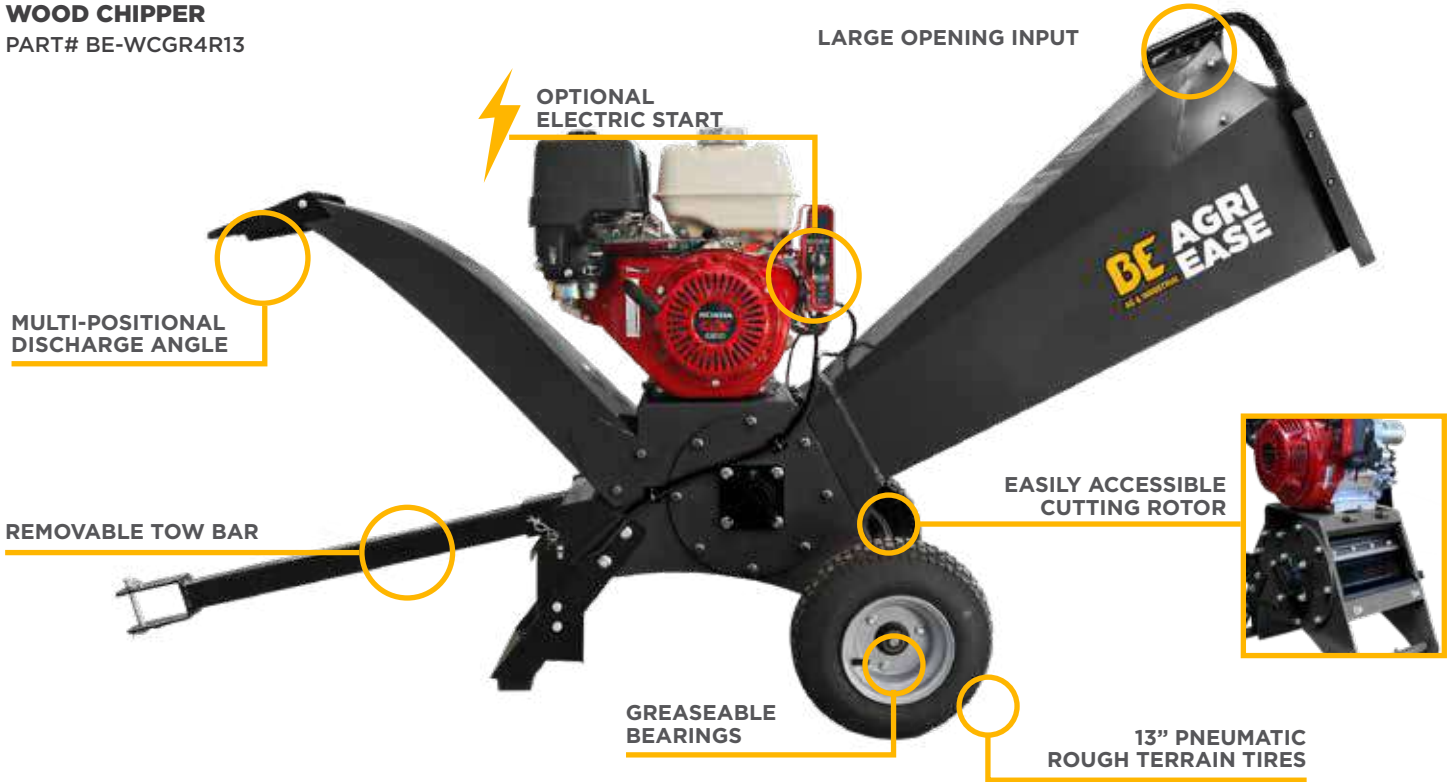
PART #	BE-WCGR3R65
ENGINE	POWEEASE 212 CC / 7 HP
ROTOR BLADES	2
ROTOR DIAMETER	220 MM
ROTOR LENGTH	180 MM
STARTER TYPE	RECOIL
CHIPPER CAPACITY	3"
WEIGHT	206 LBS

REPLACEMENT PARTS

FLYWHEEL KNIVES 2 NEEDED	102.105B.123
BELT - 2 NEEDED	102.105B.107



**4" DRUM
WOOD CHIPPER**
PART# BE-WCGR4R13



**13
HP**
HONDA
ENGINE

**15
HP**
POWEREASE
ENGINE


**13" ROUGH
TERRAIN TIRES**


**INCLUDES
DOCUMENT
HOLDER**

4"


POWERED by **HONDA**™ **OPTIONAL
POWEREASE ENGINE**

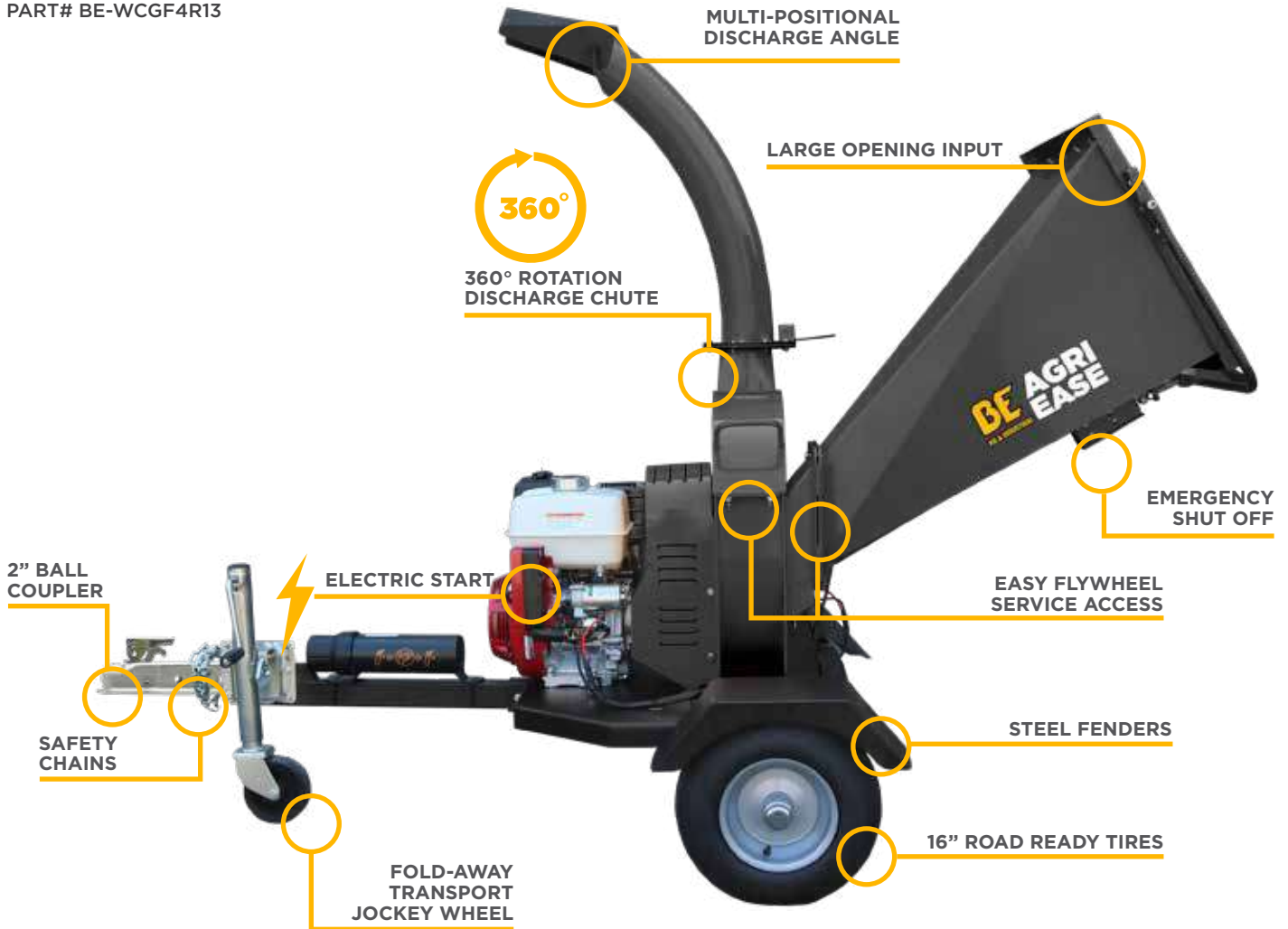
PART #	BE-WCGR4R13	BE-WCGR4R13E	BE-WCGR4H13	BE-WCGR4H13E
ENGINE	POWEREASE 420 CC / 15 HP	POWEREASE 420 CC / 15 HP	HONDA GX390 389 CC / 13 HP	HONDA GX390 389 CC / 13 HP
ROTOR BLADES	2	2	2	2
ROTOR DIAMETER	220 MM	220 MM	220 MM	220 MM
ROTOR LENGTH	240 MM	240 MM	240 MM	240 MM
STARTER TYPE	RECOIL	ELECTRIC	RECOIL	ELECTRIC
CHIPPER CAPACITY	4"	4"	4"	4"
WEIGHT	258 LBS	258 LBS	258 LBS	258 LBS

REPLACEMENT PARTS

FLYWHEEL KNIVES 2 NEEDED	102.106B.130	102.106B.130	102.106B.130	102.106B.130
BELT - 2 NEEDED	102.106B.107	102.106B.107	102.106B.107	102.106B.107

WOOD CHIPPERS

**4" FLYWHEEL
WOOD CHIPPER SHREDDER**
PART# BE-WCGF4R13



13 HP HONDA ENGINE	15 HP POWEREASE ENGINE	16" ROAD READY TIRES	INCLUDES DOCUMENT HOLDER	2" BALL COUPLER	4"
---------------------------	-------------------------------	-----------------------------	---------------------------------	------------------------	-----------

POWERED by **HONDA**™ OPTIONAL POWER EASE ENGINE

PART #	BE-WCGF4R13	BE-WCGF4H13
ENGINE	POWEREASE 420 CC / 15 HP	HONDA GX390 389 CC / 13 HP
FLYWHEEL BLADES	2	2
STATIONARY BLADES	1	1
BELTS	2	2
STARTER TYPE	ELECTRIC	ELECTRIC
CHIPPER CAPACITY	4"	4"
WEIGHT	573 LBS	573 LBS

REPLACEMENT KNIVES

FLYWHEEL KNIVES - 2 NEEDED	101.101B.002	101.101B.002
STATIONARY KNIFE - 1 NEEDED	101.101B.001	101.101B.001
BELT - 2 NEEDED	101.101B.003	101.101B.003



LEAF BLOWER
BE-LBR55

NEW!



LEAF BLOWER

PART #	BE-LBR55
WEIGHT	112 LBS
ENGINE	196CC / 6.5HP
ROTOR DEPTH	360 MM
ROTOR DEPTH	96.5 MM
AIR FLOW	150 MPH
AIR VOLUME	1270 CFM

STUMP GRINDER



CARBIDE TIP

CARBIDE TIPPED STUMP GRINDER
BE-SGGR15

POWERED by **HONDA**TM
OPTIONAL POWEREASE ENGINE



INCLUDES **CARBIDE TIPPED** CUTTING EDGES

15 HP POWEREASE ENGINE

13 HP HONDA ENGINE

CARBIDE TIPPED CUTTING TEETH

PART#	BE-SGGR15	BE-SGGH13
WEIGHT	260 LBS	264 LBS
ENGINE	420CC / 15 HP	389CC / 13 HP
ENGINE BRAND	POWEREASE	HONDA
CUTTING CAPACITY ABOVE GRADE	10"	10"
CUTTING CAPACITY BELOW GRADE	9"	9"
STUMP DIAMETER	NO LIMIT	NO LIMIT



REPLACEMENT PARTS

REPLACEMENT TEETH INCLUDES 1 EACH OF LEFT & RIGHT	101.102B.001	101.102B.001
REPLACEMENT BELTS 2 NEEDED	101.102B.002	101.102B.002



METAL DUMP CARTS



EASY ASSEMBLY
TAKES 15 MINUTES
OR LESS.



**500 LB CAPACITY
METAL DUMP CART**
TC5010



PART#	CAPACITY	TIRE SIZE	HEAPED LOAD SIZE	LEVEL LOAD SIZE	BODY DIMENSIONS	WEIGHT
TC5010	500LB	16"	12 FT ³	10 FT ³	40.5" X 32.5" X 11.5"	83.7 LBS

* NOT DESIGNED FOR ROAD USE

**1500 LB CAPACITY
METAL DUMP CART**
TC5014HD



PART#	CAPACITY	TIRE SIZE	HEAPED LOAD SIZE	LEVEL LOAD SIZE	BODY DIMENSIONS	WEIGHT
TC5014HD	1500LB	18"	17 FT ³	14 FT ³	42" X 30" X 16"	173 LBS

* NOT DESIGNED FOR ROAD USE



POLY DUMP CARTS



HITCH CONNECTION WORKS GREAT WITH LAWN & GARDEN TRACTORS, ATVS & OTHER SMALL UTILITY VEHICLES



DUMP CARTS

**600LB CAPACITY
POLY DUMP CART**
TCP600



**1000LB CAPACITY
POLY DUMP CART**
TCP1000



**1200LB CAPACITY
POLY DUMP CART**
TCP1200



**1200LB CAPACITY
POLY DUMP CART**
TCP12004W



**1500LB CAPACITY
POLY DUMP CART**
TCP1500



**1500LB CAPACITY
POLY DUMP CART**
TCP15004W



PART#	CAPACITY	TIRE SIZE	HEAPED LOAD SIZE	LEVEL LOAD SIZE	OVERALL DIMENSIONS	BODY DIMENSIONS
TCP600	600 LB	16"	10 FT ³	7 FT ³	65" X 36" X 26"	43.3" X 32.9" X 10.5"
TCP1000	1000 LB	16"	18 FT ³	14 FT ³	83" X 50" X 27"	58.9" X 38.0" X 15.0"
TCP1200	1200 LB	18"	19 FT ³	15 FT ³	85" X 47" X 31"	61.4" X 31.0" X 18.1"
TCP12004W	1200 LB	18"	19 FT ³	15 FT ³	85" X 50" X 31"	61.4" X 31.0" X 18.1"
TCP1500	1500 LB	18"	28 FT ³	22 FT ³	97" X 55" X 31"	69.1" X 39.8" X 17.9"
TCP15004W	1500 LB	18"	28 FT ³	22 FT ³	97" X 58" X 31"	69.1" X 39.8" X 17.9"

* NOT DESIGNED FOR ROAD USE

DRUM SPIKE AERATOR ROLLERS

PART# 81.200.020

FEATURES

- Heavy duty steel roller
- Black hammer tone rust resistant finish

FLAT BALLAST LAWN ROLLERS

PART#	ROLLER SIZE	LOAD CAPACITY
81.200.020	48 X 14"	379 LB
81.200.021	60 X 14"	467 LB



DRUM SPIKE AERATOR ROLLERS

PART# 81.200.040

FEATURES

- Heavy duty steel roller
- Black hammer tone rust resistant finish

DRUM SPIKE AERATOR ROLLERS

PART#	ROLLER SIZE	LOAD CAPACITY
81.200.040	48 X 14"	392 LB
81.200.041	60 X 14"	489 LB

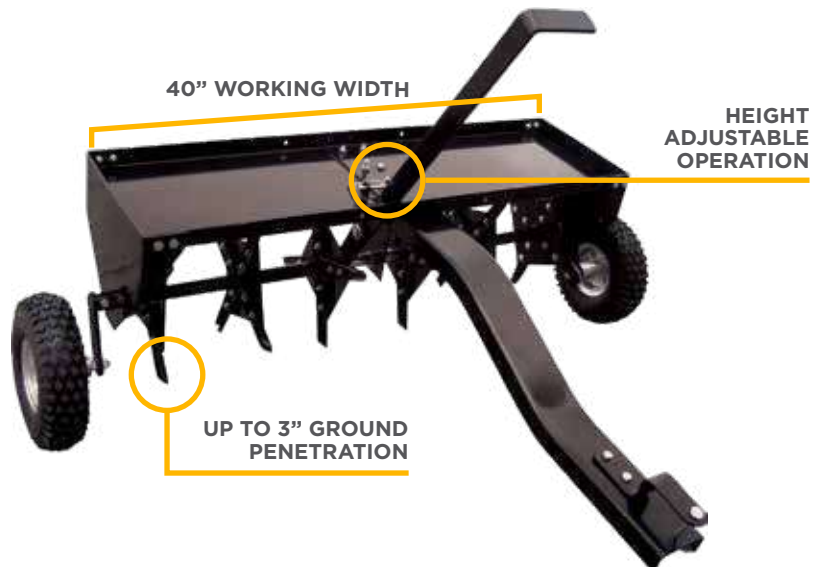


40" TRAIL AERATOR

PART# 81.200.004

FEATURE

- 24 Replaceable coring points
- 10" Pneumatic wheels
- Single hand lift lever
- Black hammer tone rust resistant finish
- 81 lb weigh



LAWN AND GARDEN EQUIPMENT

42 IN SWEEPER

PART# SW42T

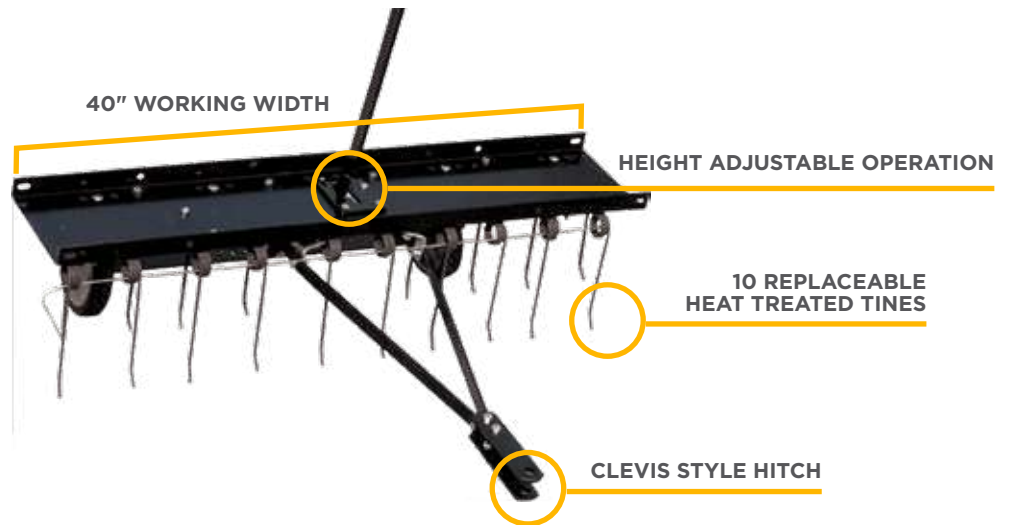


FEATURES

- Adjustable 10" brushes to accommodate different debris types
- 10-1/2" Rubber wheels
- Black hammer tone rust resistant finish
- 81 lb weight

40" TINE DETHATCHER

PART# 81.200.001



FEATURES

- 20 X 3/16" heat treated teeth
- 7" Rubber tired
- 1/2" Pin hitch type
- Black hammer tone rust resistant finish
- 35 lb weight

HAY BALE UTILITY DOLLY

PART# 81.000.001

🍁 AVAILABLE ONLY IN CANADA



**HEAVY
DUTY
LARGE
CAPACITY**

350 LB ATV PULL FERTILIZER SPREADER
PART# MFS350T

IDEAL FOR USE WHEN A PTO IS NOT AVAILABLE
SPREADS SEED, FERTILIZER, SAND & SALT



STEEL SQUARE HOPPER

ADJUSTABLE SPREADING COVERAGE

HEAVY DUTY CAST IRON, OIL BATH GEARBOX

ADJUSTABLE TOWBAR

14" LARGE PNEUMATIC TIRES



250 LB TOWABLESPREADER
PART# PFS105T

IDEAL FOR USE WHEN A PTO IS NOT AVAILABLE
SPREADS SEED, FERTILIZER, SAND & SALT



INCLUDES HOPPER COVER

14" LARGE PNEUMATIC TIRES

CLEVIS HITCH



125 LB WALK BEHIND SPREADER
PART# PFSS60P

IDEAL FOR WINTER SALT SPREADING

INCLUDES SCREEN & RAIN HOPPER COVER KIT

ERGONOMIC HANDLES

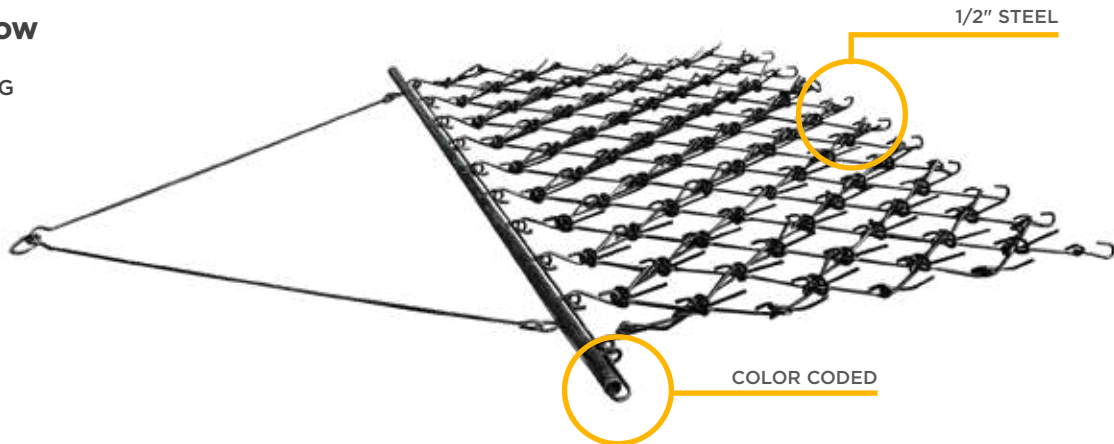
INTERNAL STAINLESS STEEL FITTINGS

14" LARGE PNEUMATIC TIRES





CHAIN HARROW WITH POLE
PART# BE-CH4G



CHAIN HARROW WITH POLES - 1/2" X 4-1/2" TINES

PART #	BE-CH4G	BE-CH6G	BE-CH8G	BE-CH10G	BE-CH12G
SECTION WIDTH	4 FT	6 FT	8 FT	10 FT	12 FT
POLE COLOR CODE	WHITE	BLACK	GREY	ORANGE	YELLOW
BED LENGTH	60"	60"	60"	60"	60"

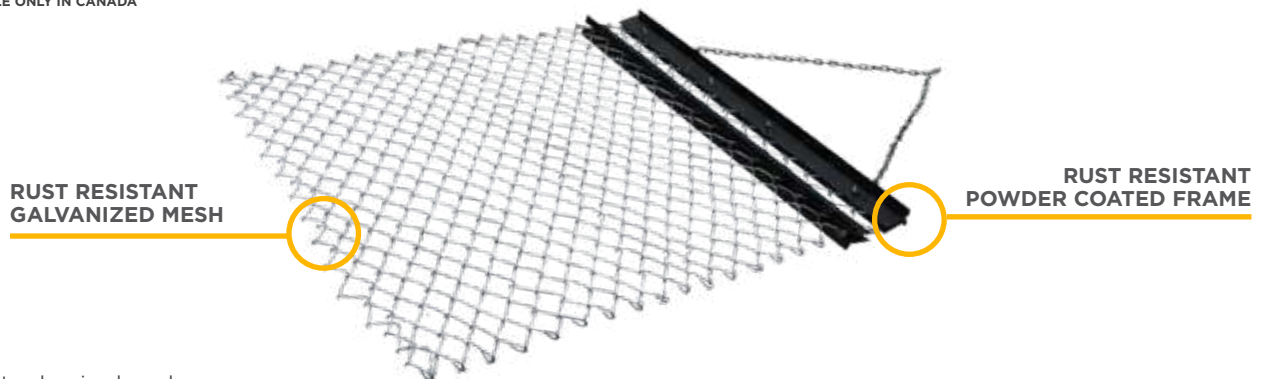
REPLACEMENT WEAR PARTS

PART #	BE-CH4G	BE-CH6G	BE-CH8G	BE-CH10G	BE-CH12G
HOOK BAR	CH122	CH122	CH122	CH122	CH122
POLE ASSEMBLY	CH4G-PA	CH6G-PA	CH8G-PA	CH10G-PA	CH12G-PA
BLANKET HOOK	CH127	CH127	CH127	CH127	CH127

57" X 36" DRAG HARROW

81.200.060

AVAILABLE ONLY IN CANADA

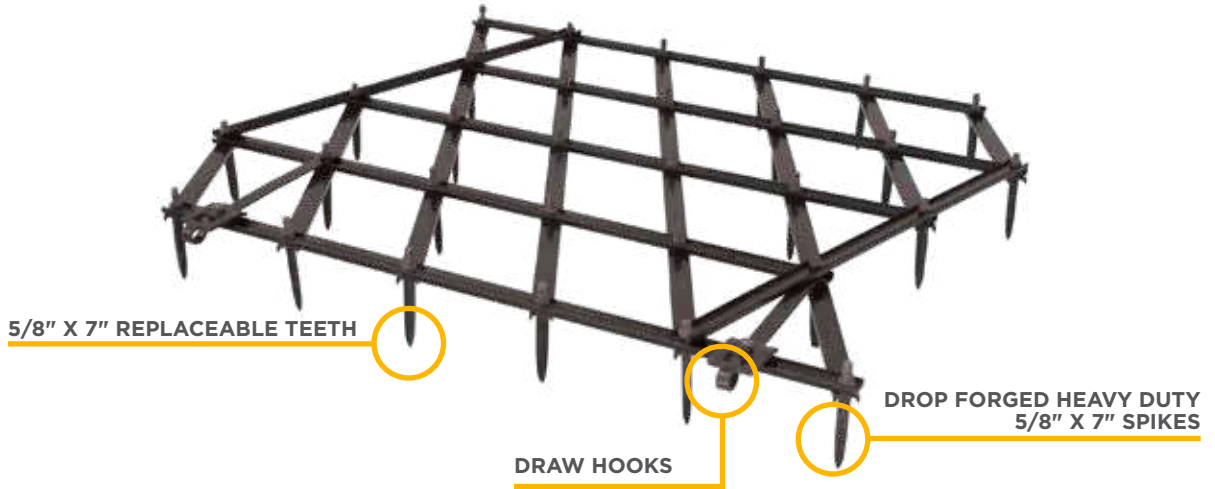


FEATURES

- Rust resistant galvanized mesh
- Rust resistant powder coated frame
- Ideal for leveling or smoothing dirt & gravel or seeding lawns
- Attaches easily to vehicles
- 44 lb weight

DIAMOND HARROW

PART# HAR40S - 40"



DIAMOND HARROW

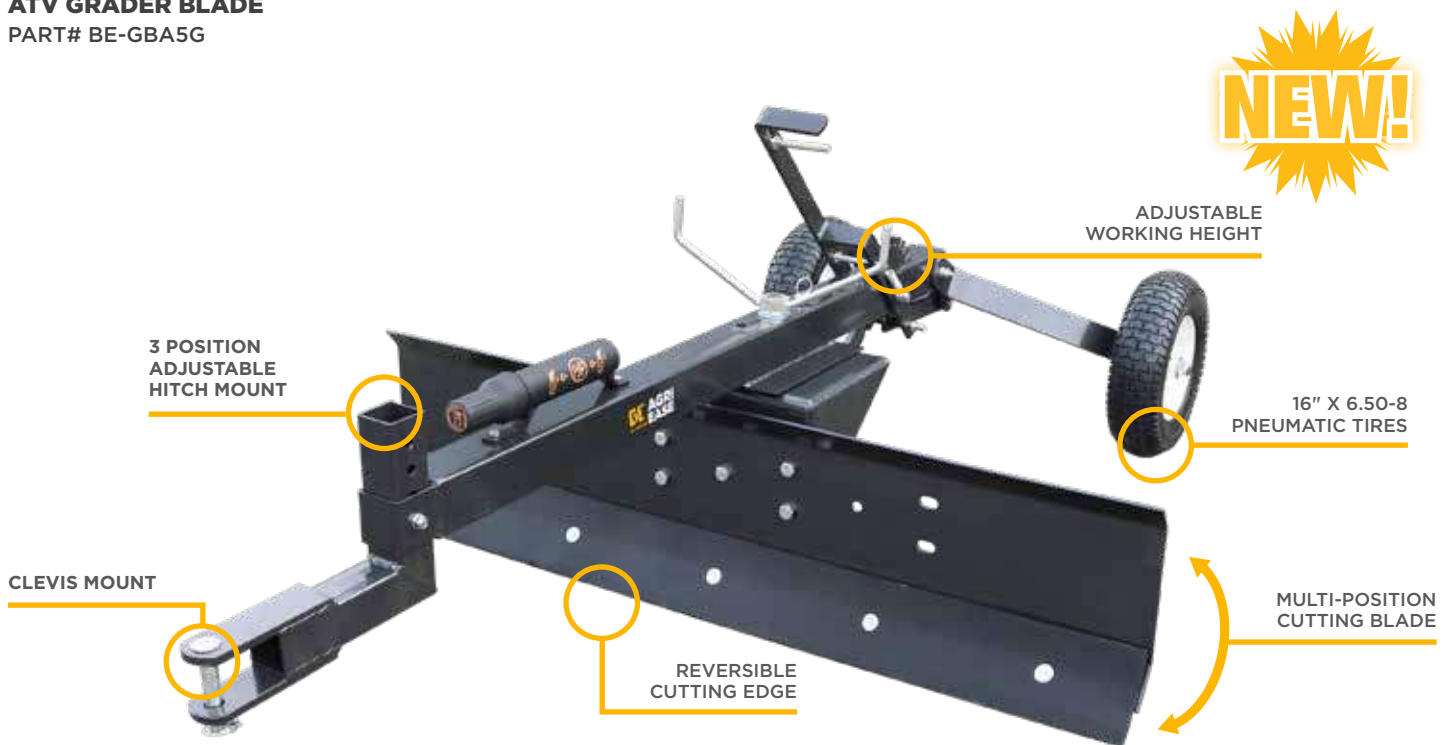
PART#	HAR40S	HAR60S
WEIGHT	62 LBS	98 LBS
WORKING WIDTH	40"	60"
LENGTH	52"	52"

REPLACEMENT WEAR PARTS

PART#	HAR40S	HAR60S
DRAW HOOK	61.200.010	61.200.010
TINES	61.200.007	61.200.007

ATV GRADER BLADE

PART# BE-GBA5G

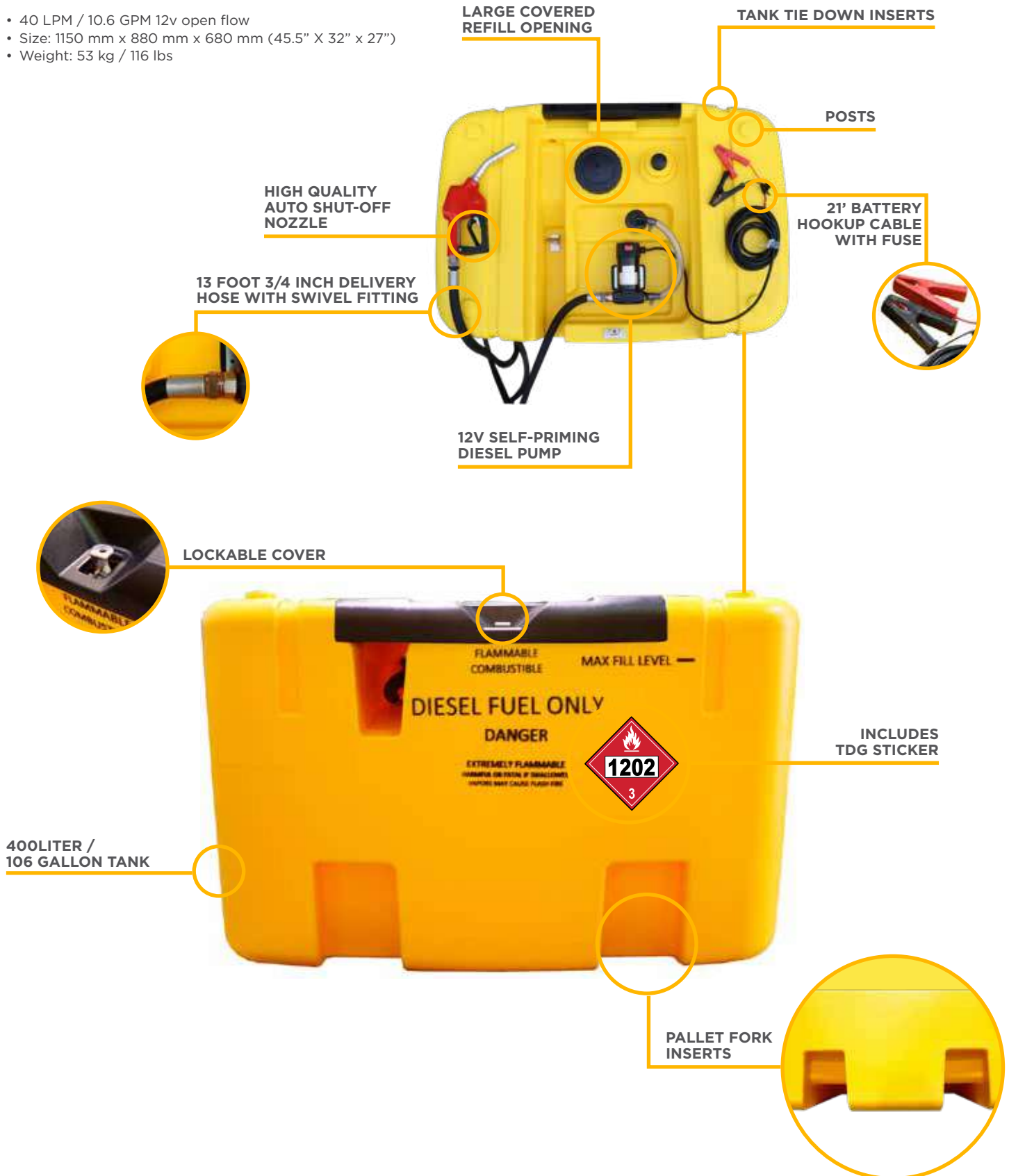


DIESEL TRANSFER TANK

DIESEL TRANSFER TANK

PART# DD400

- 40 LPM / 10.6 GPM 12v open flow
- Size: 1150 mm x 880 mm x 680 mm (45.5" X 32" x 27")
- Weight: 53 kg / 116 lbs



400LITER / 106 GALLON TANK

SKID STEER WELD-ON ADAPTOR PLATE
PART# ABSS



WELD-ON SKID STEER PLATE

PART#	ABSS
HEIGHT	18 7/8"
WIDTH	47 1/4"
DEPTH	3 1/8"

EURO WELD-ON MOUNT (PAIR)
PART# WOKAO600



JOHN DEERE WELD-ON MOUNT (PAIR)
PART# JDBFSET



WELD-ON MOUNT (PAIR)

PART#	DESCRIPTION	WEIGHT
WOKAO600	EURO ATTACHMENT	36 LB

WELD-ON MOUNT (PAIR)

PART#	DESCRIPTION	WEIGHT
JDBFSET	JD WELD-ON	33 LB

BUCKET PALLET FORK
1000 LB CAPACITY EACH
PART# BFT1000G



BUCKET PALLET FORK
2000 LB CAPACITY EACH
PART# BFT2000G



WELD-ON BUCKET HOOK
PART# 64.500.038



WELD-ON BUCKET HOOKS

PART#	DESCRIPTION
64.500.516	5/16" CHAIN
64.500.038	3/8" CHAIN
64.500.076	7/16" CHAIN
64.500.012	1/2" CHAIN

BUCKET FORK STABILIZER BAR
PART# BFT10GSTAB



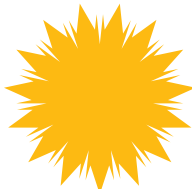
PART #	DESCRIPTION
BFT10GSTAB	VARIOUS SPACINGS BETWEEN 20.75" & 38.25"
BFT20GSTAB	

BUCKET BALL MOUNT
PART# 64.500.342



2 INCH SQUARE RECEIVER

FORK EXTENSION
2 METERS, 6.6', 110 LB
PART# EXT3T2M



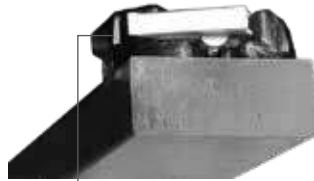
- Slides easily onto existing forks
- Fits forks up to 2" thick
- OSHA requires fork extension length to be no longer than 150% of the length of the support forks



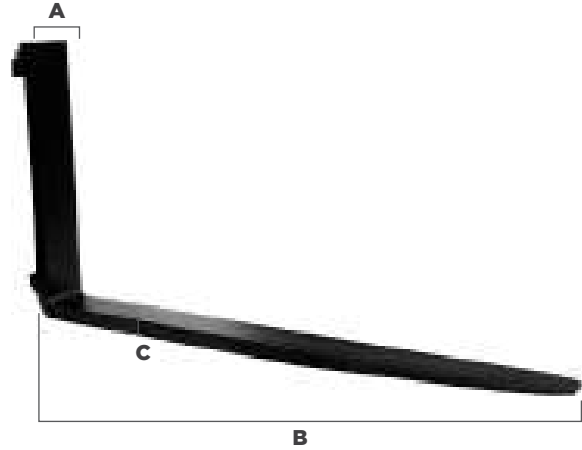
36" REPLACEMENT FORK PART# PFT36LDJ - 36"



CLASS II LOCKING FORKS



REPLACEABLE
STAINLESS LATCH



PALLET FORK TINES

PART#	PFT36LDJ	PFT42LDJ	PFT42HDJ	PFT48HDJ	PFT48HDJ5500
MOUNT	CLASS II A	CLASS II A	CLASS II A	CLASS II A	CLASS II A
WEIGHT	75 LBS	85 LBS	101 LBS	112 LBS	130 LBS
A	4"	4"	4"	4"	4.75"
B	36"	42"	42"	48"	48"
C	1.25"	1.25"	1.5625"	1.5625"	1.5625"

3 PT BIN & PALLET FORK PART# ABFG



PALLET & BIN FORK

PART#	ABFG	ABFHDG
CAPACITY	1200 LBS	2000 LBS
HITCH	CAT 1; 3PT	CAT 1; 3PT
SIZE	L41" X 25" CENTER	L41" X 25" CENTER
FORK SIZE	2"X4" TUBE	1 1/4"X4" SOLID
WEIGHT	90 LBS	174 LBS

WIDE PALLET JACK 27" X 48" PART# B27002

- Capacity: 5,500 lb
- Overall height: 64"
- Fork length: 48"
- Overall fork width: 27"
- Weight: 154 lb
- Lowered fork height: 2.95"
- Max lifting height: 7.28"
- Ground clearance: 0.87"
- Turning radius: 53"
- Service weight: 154.32 Lb

NARROW PALLET JACK 21.5" X 48" PART# B27001

- Capacity: 5,500 lb
- Overall height: 64"
- Fork length: 48"
- Overall fork width: 21.5"
- Weight: 143 lb
- Lowered fork height: 2.95"
- Max lifting height: 7.28"
- Ground clearance: 0.87"
- Turning radius: 53"
- Service weight: 143.3 Lb



3PT TRACTOR ATTACHMENTS

HILLER/MIDDLEBUSTER PART# MB15G



1/2" X 2-1/2" X 15"
REVERSIBLE
SHOVEL



HILLER/MIDDLEBUSTER

PART #	MB15G
HP RATING	UP TO 40 HP
WEIGHT	110 LBS
FURROWER	15"

REPLACEMENT WEAR PARTS

PART #	MB15G
POINT	MB01G

SUBSOILER PART# SS1RG

**BOXED
EACH**



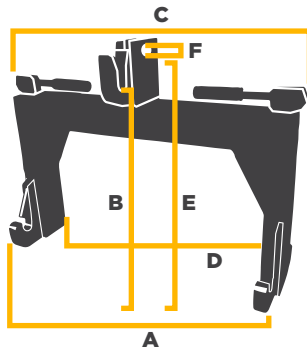
SUBSOILER

PART #	SS1RG
DEPTH	22"
HP RATING	UP TO 40 HP
WEIGHT	98 LBS

REPLACEMENT WEAR PARTS

PART #	SS1RG
POINT	SSPOINTG

CATEGORY 1 QUICK HITCH PART# QH1GI



CATEGORY 2 HD QUICK HITCH PART# QH2HDG



CATEGORY 2-3 QUICK HITCH PART# QH2-3G



3 POINT QUICK HITCHES

PART #	QH1GI*	QH2G*	QH2HDG*	QH2-3G*	QH3NG*	QH3G*
WEIGHT	72 LBS	139 LBS	163 LBS	197 LBS	176 LBS	184 LBS
WIDTH	29"	36"	36"	42"	37"	42"
HP RATING	UP TO 50 HP	UP TO 100 HP	UP TO 130 HP	UP TO 225 HP	UP TO 225 HP	UP TO 225 HP
HITCH	CAT 1	CAT 2	CAT 2	CAT 2-3	CAT 3 NARROW	CAT 3
A	27"	32.75"	33"	38"	33.5"	38.5"
B	17" / 20"	18"	17.5"	21.75"	21.25"	21.75"
C	30.25"	37.5"	38.5"	43.5"	38"	43.5"
D	26.5"	36.75"	37.5"	36.5" / 42.5"	37"	42.5"
E	20.25"	21"	23.25"	26.75"	27.25"	27"
F	1"	1"	1"	1.75"	1.75"	1.75"

CATEGORY 2-1 QUICK HITCH BUSHING KIT PART# QK1-B



3PT TRACTOR ATTACHMENTS

TRAILER RECEIVER WITH TRIPLE BALL
CAT 1, TOW HITCH
LOWER CONNECTION
 PART# 64.500.340B



TRAILER RECEIVER WITH TRIPLE BALL
CAT 1, TOW HITCH
UPPER & LOWER CONNECTION
 PART# 64.500.341B



TRAILER RECEIVER WITH TRIPLE BALL
CAT II, HD
UPPER & LOWER CONNECTION
 PART# 64.500.343B



3PT HITCH TRAILER RECEIVER
CATEGORY 1
LOWER CONNECTION
 PART# 64.500.340KITM

3 PT HITCH TRAILER RECEIVER
CATEGORY 1
UPPER & LOWER CONNECTION
 PART# 64.500.341KITM

3 PT HITCH TRAILER RECEIVER
CATEGORY 1
UPPER & LOWER CONNECTION
 PART# 64.500.341Q

3PT HITCH TRAILER RECEIVER
CATEGORY 2, HD
UPPER & LOWER CONNECTION
 PART# 64.500.343KITM

3PT TRAILER MOVER
CATEGORY 1
UPPER BALL MOUNT
LOWER RECEIVER
 PART# 64.500.344



QUICK HITCH COMPATIBLE



NEW!

POPULAR 2" MOUNTS (SOLD SEPARATELY)

*FIND OUR FULL SELECTION OF MOUNTS ON PAGE 108



64.500.330
CLEVIS STYLE MOUNT



64.500.320
2" DROP TRAILER BALL MOUNT



64.500.321
4" DROP TRAILER BALL MOUNT



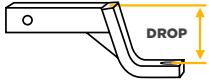
64.500.326
CHROME TRIPLE TOW BALL WITH TOW HOOK



64.500.026
CHROME TRIPLE TOW BALL WITH CLEVIS CHANNEL

BALL MOUNTS - 2" SHAFT

PART#	FINISH	CLASS	TW (LB)	GTW (LB)	HOLE SIZE	DROP
64.500.323	BLACK	3	500	5000	1"	STRAIGHT
64.500.320	BLACK	4	600	6000	1"	2"
64.500.321	BLACK	4	600	6000	1"	4"
64.500.332	BLACK	4	600	6000	1"	6"



BALL MOUNT KIT - 2" SHAFT

PART#	FINISH	CLASS	BALL SIZE	TW (LB)	GTW (LB)	HOLE SIZE	DROP
64.500.029	BLACK	4	2"	600	6000	1"	2"



DOUBLE BALL MOUNT - WELDED - 2" HOLLOW SHAFT

PART#	FINISH	CLASS	BALL SIZE	TW (LB)	GTW (LB)	DROP
64.500.022	BLACK	3-4	1-7/8" 2"	350 600	3500 6000	2" 3/4" RISE



TRIPLE BALL MOUNTS - WELDED - 2" SOLID SHAFT

PART#	FINISH	CLASS	BALL SIZE	TW (LB)	GTW (LB)	DROP
64.500.025	BLACK	3-4	1-7/8" 2" 2-5/16"	350 600 1000	3500 6000 10000	STRAIGHT



TRIPLE BALL MOUNT WITH TOW HOOK - WELDED - 2" SOLID SHAFT

PART#	FINISH	CLASS	BALL SIZE	TW (LB)	GTW (LB)	DROP
64.500.326	CHROME	3-4	1-7/8" 2" 2-5/16"	350 600 1000	3500 6000 10000	STRAIGHT



TRIPLE BALL MOUNT W/ U CHANNEL - WELDED - 2" SOLID SHAFT

PART#	FINISH	CLASS	BALL SIZE	TW (LB)	GTW (LB)	DROP
64.500.026	CHROME	3-4	1-7/8" 2" 2-5/16"	350 600 1000	3500 6000 10000	STRAIGHT



BALL MOUNTS & ACCESSORIES

CLEVIS BALL MOUNT - 2" SHAFT

PART#	FINISH	TW (LB)	GTW (LB)	TUBE	HOLE
64.500.330	BLACK	600	6000	STRAIGHT	1"



HITCH ADAPTER

PART#	FINISH	DESCRIPTION	GTW (LB)
64.500.108	BLACK	CONVERTS 1-1/4" TO 2" RECEIVER	3500



PINTLE MOUNT

PART#	FINISH	PLATE SIZE	TW (LB)	GTW (LB)	# OF HOLES
64.500.010	BLACK	5-1/2" X 5"	1000	10000	6



PINTLE HOOK

PART#	FINISH	CAPACITY	TW (LB)	GTW (LB)	# OF HOLES
64.500.801	BLACK	15 TON	6000	30000	4



4 HOLE MOUNTING LUNETTE RING

FORGED STEEL WITH BLACK POWDER COATED FINISH

PART#	DESCRIPTION	TOW RATING
64.500.804	2-1/2" DIAMETER RING WITH SQUARE 6" BASE PLATE, 5/8" DIAMETER MOUNTING HOLES, 4000 LB. VERTICAL LOAD	42000 LB



STEP BUMPER RECEIVER

PART#	FINISH	PLATE SIZE	TW (LB)	GTW (LB)	# OF HOLES	HOLE SPACING (C-C)
64.500.106	BLACK	13-3/4" X 4-3/4"	500	5000	4 (ADJUSTABLE)	OUTER 11-5/8" INNER 7-3/4"



HITCH MOUNT FOLDING CARGO CARRIER - 2" SHAFT

PART#	FINISH	BASKET DIMENSIONS	CAPACITY
64.500.231	BLACK	61" X 19" X 6"	500 LB (226KG)



CLAMP-ON BUCKET MOUNT RECEIVER

PART#	FINISH	RECEIVER SIZE	FIT
64.500.342	RED	2"	UNIVERSAL



TRAILER DOLLY

PART#	FINISH	TRAILER BALL	CAPACITY	WHEELS
81.200.600	BLACK	2" (REMOVABLE)	600 LB	10"



AVAILABLE ONLY IN CANADA

HITCH PINS & CLIPS

LOCKABLE HITCH PIN
5/8" X 3 1/2"
 PART# 64.500.258

- HD solid steel construction
- Chrome plated finish
- Weather resistant dust cap
- Easy 1/4 turn operation
- Includes 2 keys



BENT HITCH PINS - YELLOW ZINC DI-CHROMATE PLATED

PART#	DIAMETER	USABLE LENGTH	HAIR PIN
725HP	5/16"	3"	P-7923B12
723HP	3/8"	3"	P-7923B12
720HPS	1/2"	2-1/2"	P-7924B8
720HP	1/2"	3"	P-7924B8
720HPL	1/2"	4"	P-7924B8
720HPXL	1/2"	5"	P-7924B8
722HP	5/8"	3"	P-7924B8
722HPL	5/8"	3-1/2"	P-7924B8
722HPEL	5/8"	4"	P-7924B8
722HPXL	5/8"	5"	P-7924B8
721HP	3/4"	3-1/2"	P-7924B8
721HPXL	3/4"	4-1/2"	P-7924B8



2.5MM X 43MM HAIR PINS
12 PIECE BAG
 PART# P-7923B12



3MM X 64MM HAIR PINS
8 PIECE BAG
 PART# P-7924B8



TRAILER BALLS

EXTERNAL THREAD TRAILER BALLS

PART#	DIAMETER	THREAD DIAMETER	THREAD LENGTH	GROSS LOAD RATING
64.500.348	1-7/8"	3/4"	1-1/2"	2000 LB
64.500.345	1-7/8"	1"	2-5/8"	3500 LB
64.500.349	2"	3/4"	2"	3500 LB
64.500.350	2"	1"	2-5/8"	5000 LB
64.500.358	2"	1-1/4"	2-1/4"	8000 LB
64.500.351	2-5/16"	1"	2-5/8"	5000 LB
64.500.352	2-5/16"	1-1/4"	2"	7500 LB
64.500.353	2-5/16"	1-1/4"	2-1/4"	10000 LB
64.500.354	2-5/16"	1-1/4"	2"	12000 LB

LONG EXTERNAL THREAD TRAILER BALLS

PART#	DIAMETER	THREAD DIAMETER	THREAD LENGTH	GROSS LOAD RATING
64.500.355	1-7/8"	3/4"	3-1/4"	2000 LB
64.500.356	2"	3/4"	3-1/4"	3500 LB
64.500.357	2"	1"	3-1/4"	5000 LB

INTERNAL THREAD TRAILER BALLS

PART#	DIAMETER	THREAD DAMETER	THREAD LENGTH	GROSS LOAD RATING
64.500.346	1-7/8"	3/4"	2'	2000 LB
64.500.347	2"	3/4"	2'	3500 LB



CHANNEL TRAILER COUPLERS

PART#	FINISH	CLASS	BALL DIAMETER	CHANNEL SIZE	GROSS LOAD RATING
64.500.003	ZINC	2	1-7/8"	2"	2000 LB
64.500.007	ZINC	2	1-7/8"	2-1/2"	2000 LB
64.500.008	ZINC	2	1-7/8"	3"	2000 LB
64.500.004	ZINC	3	2"	2"	3500 LB
64.500.005	ZINC	3	2"	2-1/2"	3500 LB
64.500.006	ZINC	3	2"	3"	3500 LB



A-FRAME TRAILER COUPLERS

PART#	FINISH	CLASS	BALL DIAMETER	MAX TONGUE WEIGHT	GROSS LOAD RATING
64.800.726	ZINC	3	2"	700 LB	5000 LB
64.500.100	BLACK	3	2"	700 LB	5000 LB
64.819.117	ZINC	4	2-5/16"	1500 LB	10000 LB



UNIVERSAL TRAILER COUPLER LOCK

PART# 64.500.906



- Universal design fits most couplers
- Dual ratchet locking system
- Protected by durable hammer-tone epoxy finish
- Locking bar includes 6 locking positions

BRASS TRAILER COUPLER LOCK

1/4" PIN X 3/4" LATCH SPAN

PART# 64.500.908



- Easy 1/4 turn operation
- Hardened steel locking pin
- Solid brass construction
- Includes 2 keys

MEDIUM DUTY SAFETY CHAINS

PART#	FINISH	CHAIN GRADE	CHAIN SIZE	CHAIN LENGTH	SECURING END
64.325.024	ZINC PLATED ELECTRO-GALVANIZED	G43	1/4"	24"	S-HOOK W/LATCH



HEAVY DUTY SAFETY CHAINS

PART#	FINISH	CHAIN GRADE	CHAIN SIZE	CHAIN LENGTH	SECURING END
64.303.516	ZINC PLATED ELECTRO-GALVANIZED	G43	5/16"	36"	SLIP HOOK W/ SAFETY LATCH
64.304.516	ZINC PLATED ELECTRO-GALVANIZED	G70	5/16"	36"	SLIP HOOK W/ SAFETY LATCH
64.304.038	ZINC PLATED ELECTRO-GALVANIZED	G70	3/8"	36"	SLIP HOOK W/ SAFETY LATCH



64.303.516



64.304.516

12V LED TOWING LIGHTS

PART# LT1230

FEATURE

- 24 LEDs (12 on each side)
- 30FT wiring harness included
- Magnetic base
- 100,000 hours life time

**FEATURES**

- Mounts easily to any vehicle
- Stop / tail / turn functions
- Scratch resistant magnetic base
- 22lb magnetic pull
- Ideal for up to 80" wide applications
- 4-1/2" Acrylic lenses
- 12 Super bright LEDs per light
- 30ft wiring harness with 4-pin flatconnectors
- DOT certified

12V COMMERCIAL GRADE LED TOWING LIGHTS

PART# LTHD1230

- Carrying case included
- 30ft wiring harness included
- 7ft span between two lights
- 60lb round pull magnets

**FEATURES**

- Mounts easily to any vehicle
- Stop / tail / turn functions
- Scratch resistant magnetic base
- 70lb magnetic pull
- Ideal for up to 84" wide applications
- 4" Acrylic lenses with polycarbonate housings
- 12 Super bright LEDs per light
- 30ft heavy duty wiring harness with 4 pin round connectors
- DOT certified
- Storage / carry case included

12V SUBMERSIBLE LED TRAILER LIGHT KIT

PART# LST1222

FEATURE

- For trailers up to 80" wide
- 22ft wiring harness included
- Mounting hardware & license plate bracket
- DOT certified

**FEATURES**

- Easy installation with included license plated bracket and hardware
- Stop / tail / turn functions with built in license plate light
- Ideal for up to 80" wide applications
- Great for boat, camper, utility and snowmobile trailers
- 4" Acrylic lenses with abs housings
- Lens & housings are sonically sealed w/ epoxy sealed electronics
- 12 Super bright LEDs per light
- 22ft wiring harness with 4 pin flat connectors
- DOT certified

HAND WINCHES

PART#	DESCRIPTION	LOAD CAPACITY	GEAR RATIO
64.500.253	1 SPEED	1400 LB	4:01
64.500.254	2 SPEED	2000 LB	4:1 / 10:1



HAND WINCH WITH NYLON STRAP

PART#	DESCRIPTION	LOAD CAPACITY	GEAR RATIO	STRAP LENGTH
64.500.200	1 SPEED - NYLON STRAP	1600 LB	5.1:1	20'



HAND WINCH WITH BRAIDED CABLE

PART#	DESCRIPTION	LOAD CAPACITY	GEAR RATIO	CABLE LENGTH
64.500.800	1 SPEED - BRAIDED STEEL CABLE	1000 LB	4.1:1	10'
64.500.250	2 SPEED -BRAIDED STEEL CABLE	2500 LB	5.1:1 / 12.1:1	10'



RATCHETING CABLE POWER PULLER HAND WINCH

PART#	DESCRIPTION	SAFE WORKING CAPACITY	MAX RATED CAPACITY	CABLE DIAMETER	CABLE LENGTH
64.500.222	2 TON - HD AIRCRAFT CABLE	1 TON (2000LB)	2 TON (4000LB)	3/16"	12'

- Constructed from heavy gauge flat stock steel
- Heavy duty ratchet and pawl are constructed from three separate
- Plates of steel paired with hd drop forged safety latch hooks
- 12 Feet of heavy duty 3/16" aircraft cable



SOMETHING EXCITING IS COMING

BE'S NEW RANGE OF LIFTING EQUIPMENT HAS BEEN DESIGNED TO NOT ONLY MEET BUT EXCEED THE REQUIREMENTS AND DEMANDS OF WORKING PROFESSIONALS.

BUILT WITH THICKER GAUGE STEEL, HEAVIER DUTY NUTS & BOLTS AND HIGHER QUALITY SEALS AND WHEELS THAN THE COMPETITION, YOU'LL HAVE THE CONFIDENCE TO LIFT WITH BE WHETHER IN THE GARAGE OR ON THE FARM.

BACKED BY BE'S 2 YEAR WARRANTY AGAINST MANUFACTURING DEFECTS.

SPRING OF 2022



TRAILER JACK RETAIL MERCHANDISER DISPLAY KIT

POP-JACKRAIL CONSISTS OF:

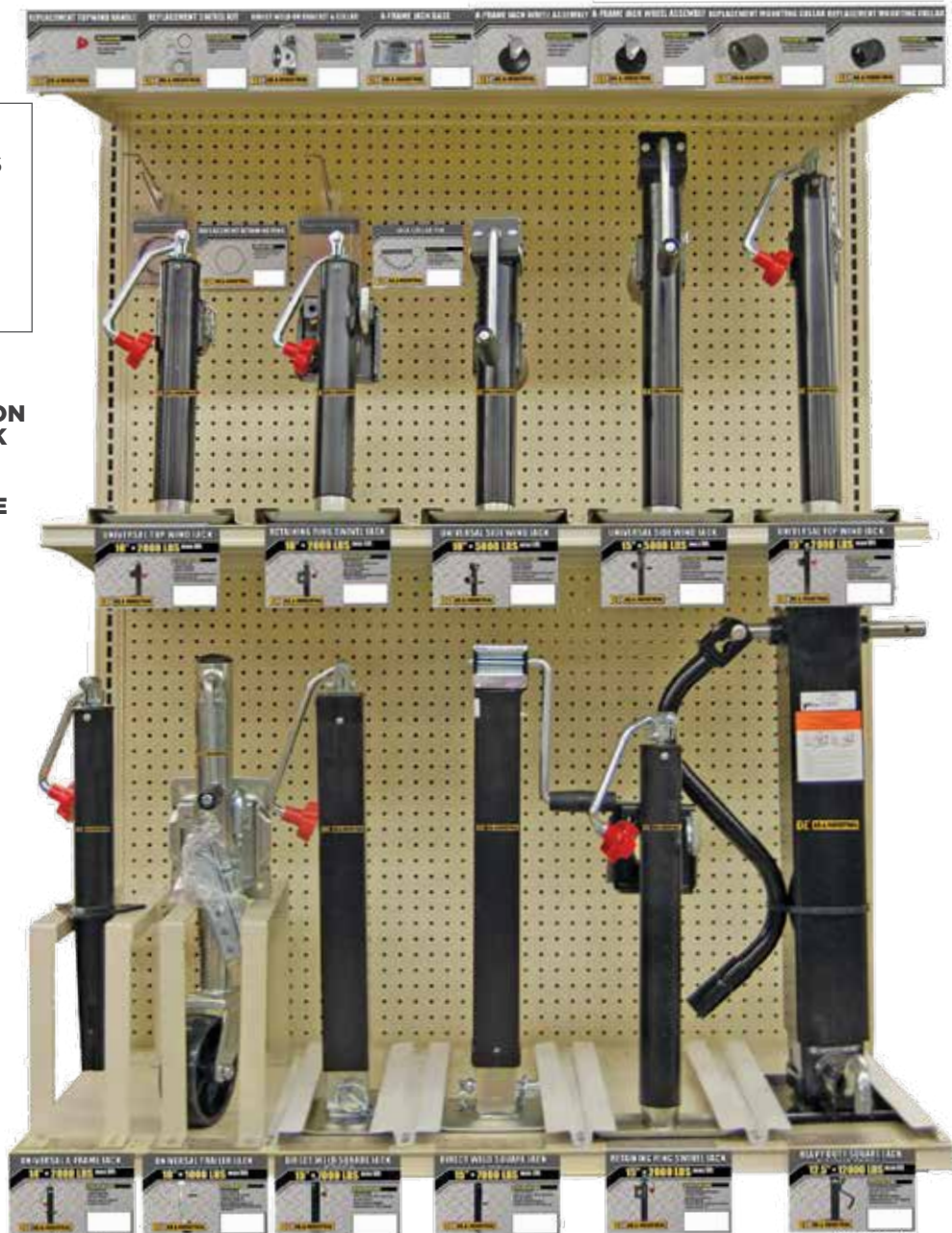
- 4 Vertical support bracket (bolts to shelf)
- 18 Support rail (bolts to shelf)
- 4 Support plate for jack tower
- 52 Bolt, hex 1/4 x 1/2" NC
- 52 Flat washer, 1/4"
- 52 Nut, hex 1/4"
- 19 Plastic sign

**DESIGNED TO WORK WITH
STANDARD LOZIER SHELVING UNITS**

**COLOR CODING AND
ALPHABETICAL SYSTEM SIMPLIFIES
AND MAKES PROGRAM CONSUMER
FRIENDLY**

**CONTACT US TODAY FOR INFORMATION
AND PRICING ON OUR TRAILER JACK
PROGRAM.**

**RECEIVE THE MERCHANDISERS FREE
WITH THE PURCHASE OF THE
COMPLETE PROGRAM.**



• **DESIGNED TO WORK WITH STANDARD LOZIER SHELVING UNITS**

3500LB ELECTRIC TRAILER JACK - 12V DC

PART# BE-800-EL



- This heavy duty steel trailer jack easily raises, lowers or levels up to 3500 lbs with the push of a button.
- Fits a-frame trailer couplers
- 8-1/2" To 31-1/2" height range
- 7-1/8" Diameter foot plate
- Includes handle for manual cranking
- Black powder coated finish for superior rust and corrosion resistance
- 12v DC electrical type

WELD COLLAR TRAILER JACKS

PART#	HANDLE TYPE	MAX LIFT CAPACITY	MAX SUPPORT CAPACITY	LIFT	HEIGHT
BE-020	TOPWIND	2000 LB	2600 LB	10"	11-1/4"
BE-020X	TOPWIND	2000 LB	2600 LB	10"	11-1/4"
BE-520	TOPWIND	2000 LB	2600 LB	15"	15-1/2"
BE-1050	TOPWIND	5000 LB	6000 LB	10"	10-1/2"



WELD COLLAR TRAILER JACKS

PART#	HANDLE TYPE	MAX LIFT CAPACITY	MAX SUPPORT CAPACITY	LIFT	HEIGHT
BE-1020S	SIDEWIND	2000 LB	2600 LB	10"	11-1/4"
BE-050	SIDEWIND	5000 LB	6000 LB	10"	11"
BE-550	SIDEWIND	5000 LB	6000 LB	15"	15-1/2"



A-FRAME TRAILER JACKS

PART#	HANDLE TYPE	MAX LIFT CAPACITY	MAX SUPPORT CAPACITY	LIFT	HEIGHT
BE-120	TOPWIND	2000 LB	2600 LB	13-1/2"	7"
BE-140	TOPWIND	5000 LB	6000 LB	13-1/2"	7"



A-FRAME TRAILER JACKS

PART#	HANDLE TYPE	MAX LIFT CAPACITY	MAX SUPPORT CAPACITY	LIFT	HEIGHT
BE-130	SIDEWIND	2000 LB	2600 LB	13-1/2"	7"



FLANGE STYLE TRAILER JACKS

PART#	HANDLE TYPE	MAX LIFT CAPACITY	MAX SUPPORT CAPACITY	LIFT	HEIGHT
FJ-020	TOPWIND	2000 LB	2600 LB	10"	11"
FJ-530	TOPWIND	2000 LB	2600 LB	15"	15"

FLANGE STYLE TRAILER JACKS

PART#	HANDLE TYPE	MAX LIFT CAPACITY	MAX SUPPORT CAPACITY	LIFT	HEIGHT
FJ-540	SIDEWIND	2000 LB	2600 LB	15"	15"

SPECIALTY TRAILER JACKS

PART#	FEATURE	HANDLE TYPE	MAX LIFT CAPACITY	MAX SUPPORT CAPACITY	LIFT
BE-1010S	TAILGATE / NO BASE	SIDEWIND (REMOVABLE)	2000 LB	2600 LB	10"

SPECIALTY TRAILER JACKS

PART#	FEATURE	HANDLE TYPE	MAX LIFT CAPACITY	MAX SUPPORT CAPACITY	LIFT
BE-1520S	NO MOUNT TUBE	SIDEWIND	2000 LB	2600 LB	15"

ZINC PLATED TRAILER JACKS

PART#	HANDLE TYPE	MOUNT TYPE	MAX LIFT CAPACITY	MAX SUPPORT CAPACITY	LIFT	HEIGHT
BE-5015	SIDEWIND	BOLT ON PLATE	5000 LB	6000 LB	15"	



ZINC PLATED TRAILER JACKS

PART#	HANDLE TYPE	MOUNT TYPE	MAX LIFT CAPACITY	MAX SUPPORT CAPACITY	LIFT	HEIGHT
ST-2104	TOPWIND	WELD COLLAR	2000 LB	2600 LB	10"	11"
ST-2154	TOPWIND	WELD COLLAR	2000 LB	2600 LB	15"	16"
BE-555	TOPWIND	WELD COLLAR	5000 LB	6000 LB	15"	15-1/2"

ZINC PLATED TRAILER JACKS

PART#	HANDLE TYPE	MOUNT TYPE	MAX LIFT CAPACITY	MAX SUPPORT CAPACITY	LIFT	HEIGHT
LT-5103	SIDEWIND	WELD COLLAR	7000 LB	8000 LB	10"	11"
LT-5153	SIDEWIND	WELD COLLAR	7000 LB	8000 LB	15"	16"

ZINC PLATED SWIVEL FLANGE WHEEL JACKS - SIDEWIND HANDLE

PART#	CASTER WHEEL	MAX LIFT CAPACITY	MAX SUPPORT CAPACITY	LIFT	HEIGHT
TJ-06-01K	POLY 6"	1200 LB	1600 LB	10"	14"
TJ-06-01KX	POLY 6"	1200 LB	1600 LB	10"	14"
TJ-07-51L	POLY 6"	1000 LB	1000 LB	15"	12-1/2"

ZINC PLATED SWIVEL FLANGE WHEEL JACKS - SIDEWIND HANDLE

PART#	CASTER WHEEL	MAX LIFT CAPACITY	MAX SUPPORT CAPACITY	LIFT	HEIGHT
TJ-06-02K	DUAL 6"	1500 LB	2000 LB	10"	14"

ZINC PLATED SWIVEL FLANGE WHEEL JACKS - SIDEWIND HANDLE

PART#	CASTER WHEEL	MAX LIFT CAPACITY	MAX SUPPORT CAPACITY	LIFT	HEIGHT
TJ-06-06K	POLY 8"	1500 LB	2000 LB	10"	14"



ZINC PLATED SWIVEL FLANGE WHEEL JACKS - SIDEWIND HANDLE

PART#	CASTER WHEEL	MAX LIFT CAPACITY	MAX SUPPORT CAPACITY	LIFT	HEIGHT
TJ-01-405	POLY 6"	1000 LB	1000 LB	14"	8-1/2" - 23"



INDUSTRIAL SQUARE BODY TRAILER JACKS

PART#	HANDLE TYPE	MAX LIFT CAPACITY	MAX SUPPORT CAPACITY	LIFT	HEIGHT
BE-500	SIDEWIND	3000 LB	5000 LB	15"	15"



INDUSTRIAL SQUARE BODY TRAILER JACKS

PART#	HANDLE TYPE	MAX LIFT CAPACITY	MAX SUPPORT CAPACITY	DROP LEG	LIFT
BE-720	TOPWIND	7000 LB	8000 LB	13"	15"
BE-715	TOPWIND	7000 LB	8000 LB	NONE	15"



INDUSTRIAL SQUARE BODY TRAILER JACKS

PART#	HANDLE TYPE	MAX LIFT CAPACITY	MAX SUPPORT CAPACITY	DROP LEG	LIFT
BE-700	SIDEWIND	7000 LB	8000 LB	13"	15"



INDUSTRIAL SQUARE BODY TRAILER JACKS

PART#	HANDLE TYPE	MAX LIFT CAPACITY	MAX SUPPORT CAPACITY	DROP LEG	LIFT	HEIGHT
BE-1200	SIDEWIND	10000 LB	12000 LB	13 1/2"	12 1/2"	28 1/2"



INDUSTRIAL SQUARE BODY TRAILER JACKS

PART#	HANDLE TYPE	MAX LIFT CAPACITY	MAX SUPPORT CAPACITY	DROP LEG	LIFT	HEIGHT
BE-2500	SIDEWIND	25000 LB	25000 LB	12-1/2"	13-1/2"	29 1/2"



REPLACEMENT TRAILER JACK WHEEL ASSEMBLIES

PART#	WHEEL MATERIAL	WHEEL DIAMETER	PIPE SIZE	FITS
TJ-07-02	POLY	6"	1.75"	TJ-07-51L
TJ-06-02	POLY	6"	2"	BE-120/130/140 & TJ-01-405



REPLACEMENT TRAILER JACK WHEEL ASSEMBLIES

PART#	WHEEL MATERIAL	WHEEL DIAMETER	PIPE SIZE	FITS
TJ-06-05	STEEL	6"	2"	BE-120/130/140 & TJ-01-405



REPLACEMENT TRAILER JACK WHEELS

PART#	WHEEL MATERIAL	WHEEL DIAMETER	FITS
TJ-06-04	POLY	6"	TJ-06-01K(X) / TJ-01-405 TJ-07-51L



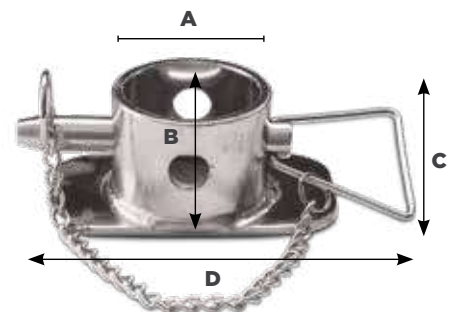
REPLACEMENT TRAILER JACK WHEELS

PART#	WHEEL MATERIAL	WHEEL DIAMETER	FITS
TJ-06-08	POLY	8"	TJ-06-06K



WELD ON COLLARS

PART#	A	B	C	D
BE-701	63.5 (2.5")	50.8 (2")	63.5 (2.5")	114.3 (4.5")



MOUNTING PIPES & WELD ON COLLARS

PART#	INSIDE DIAMETER	LENGTH	OUTSIDE DIAMETER	PIN SIZE	SIZE
64.002.000	1.5"	1.89"	2"	9/16"	SMALL
64.001.000	2"	2.55"	2.5"	9/16"	MEDIUM
64.001.058	2"	2.55"	2.5"	5/8"	MEDIUM
64.003.000	2.5"	2.55"	3"	9/16"	LARGE
64.003.058	2.5"	2.55"	3"	5/8"	LARGE



FLANGE KIT

PART#	FITS	DESCRIPTION
FJ-02-20B	FJ-020, FJ530/540	FLANGE KIT, INCLD. FLANGE, PIN, SPRINGS & CLIP



TRAILER JACK HANDLE ASSEMBLIES & PARTS

PART#	HANDLE TYPE	FITS
XA-003-999	TOPWIND	BE-020/520, BE-555, ST-2104/2154
BE-704	TOPWIND	BE-720



TRAILER JACK HANDLE ASSEMBLIES & PARTS

PART#	HANDLE TYPE	FITS
BE-703	SIDEWIND	BE-050/550/1050, BE-130, FJ-540, TJ-06-01K(X), TJ-07-51L, BE-1020S/1520S
BE-1011	SIDEWIND	BE-1010S



TRAILER JACK HANDLE ASSEMBLIES & PARTS

PART#	HANDLE TYPE	FITS
BE-702	GRIP ONLY	BE-703 HANDLE



TRAILER JACK HANDLE ASSEMBLIES & PARTS

PART#	HANDLE TYPE	FITS
BE-1201	SIDEWIND	BE-1200



TRAILER JACK HANDLE ASSEMBLIES & PARTS

PART#	HANDLE TYPE	FITS
BE-1202	RETAINING CLIP	BE-1200



TRAILER JACK PIN & CHAINS

PART#	PIN DIAMETER	PIN LENGTH
BE-025	9/16"	3"
BE-025-CA-1	9/16"	3-1/2"
BE-027	5/8"	3-1/2"



TRAILER JACK BASE

PART#	PIPE SIZE	FITS
TJ-06-03	2" I.D.	BE-120/130/140



REPLACEMENT DROP LEG

PART#	FITS
BE-705	BE-700/720



HEAVY DUTY & DELUXE RATCHET STRAPS

PART#	STRAP WIDTH	STRAP LENGTH	W.L.L.	BREAK STRENGTH	COLOR	HOOK TYPE	FEATURES	PACK QTY
64.703.400	1"	6'	600 LB	1800 LB	BLACK	VINYL COATED STEEL HOOKS	RUBBER GRIP, HOOK LOOPS	2 PACK
64.703.300	1"	16'	500 LB	1500 LB	BLACK	VINYL COATED STEEL HOOKS	RUBBER GRIP	1 PACK
64.703.500	1-1/4"	16'	830 LB	2500 LB	BLACK	VINYL COATED STEEL JJ HOOKS	RUBBER GRIP	1 PACK
64.703.600	1-1/2"	16'	1665 LB	5000 LB	BLACK	VINYL COATED STEEL JJ HOOKS	RUBBER GRIP	1 PACK
64.703.000	2"	27'	3300 LB	10000 LB	BLACK	STEEL JJ HOOKS	RUBBER GRIP, CONTROLLED RELEASE	1 PACK
64.703.100	2"	27'	3300 LB	10000 LB	BLACK	FLAT HOOKS	RUBBER GRIP, CONTROLLED RELEASE	1 PACK
64.703.200	2"	40'	3300 LB	10000 LB	BLACK	STEEL JJ HOOKS	CONTROLLED RELEASE	1 PACK



RUBBER GRIP STEEL HOOKS



RUBBER GRIP STEEL HOOKS



RUBBER GRIP STEEL JJ HOOKS



RUBBER GRIP STEEL JJ HOOKS



RUBBER GRIP FLAT HOOKS

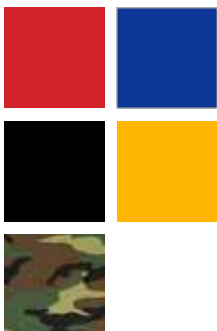


CONTROLLED RELEASE STEEL JJ HOOKS

STANDARD DUTY TIE DOWN STRAPS

PART#	STRAP WIDTH	STRAP LENGTH	W.L.L.	BREAK STRENGTH	COLOR	FASTENING TYPE	HOOK TYPE	PACK QTY
64.720.050	1"	6'	400 LB	1200 LB	RED	CAMBUCKLE	VINYL COATED STEEL HOOKS	4 PACK
64.720.001	1"	10'	400 LB	1200 LB	RED	CAMBUCKLE	VINYL COATED STEEL HOOKS	1 PACK
64.720.060	1" 1"	10' 15'	400 LB	1200 LB	BLACK	CAMBUCKLE RATCHET"	VINYL COATED STEEL HOOKS	2 PACK 2 PACK
64.700.001	1"	15'	400 LB	1200 LB	BLUE	RATCHET	VINYL COATED STEEL HOOKS	1 PACK
64.700.002	1"	15'	400 LB	1200 LB	RED	RATCHET	VINYL COATED STEEL HOOKS	1 PACK
64.700.050	1"	15'	400 LB	1200 LB	BLACK	RATCHET	VINYL COATED STEEL HOOKS	4 PACK
64.700.005	1"	15'	650 LB	2000 LB	BLACK	RATCHET	VINYL COATED STEEL HOOKS	1 PACK
64.700.006	1"	15'	650 LB	2000 LB	CAMO	RATCHET	VINYL COATED STEEL HOOKS	1 PACK
64.730.001	1"	15'	650 LB	2000 LB	RED	RATCHET	STEEL JJ HOOKS	1 PACK
64.710.002	1"	15"	1000 LB	3000 LB	YELLOW	RATCHET	STEEL JJ HOOKS	1 PACK
64.710.003	2"	15"	1250 LB	4000 LB	YELLOW	RATCHET	STEEL JJ HOOKS	1 PACK

COLOR OPTIONS



VINYL COATED STEEL HOOKS



CAMBUCKLE SYSTEM

STEEL JJ HOOKS



RATCHET SYSTEM

SINGLE AND MULTI PACK AVAILABLE



ALL TIE DOWNS COME RETAIL PACKAGED

STANDARD DUTY TIE DOWN STRAPS

PART#	ROPE DIAMETER	ROPE LENGTH	W.L.L.	BREAK STRENGTH	COLOR	HOOK TYPE	FEATURES	PACK QTY
64.795.001	1/4"	8'	50 LB	150 LB	BLACK	ZINC PLATED HOOKS	RATCHET CONTROL, THUMB RELEASE	1 PACK
64.795.002	3/8"	8'	85 LB	250 LB	BLACK	ZINC PLATED HOOKS	RATCHET CONTROL, THUMB RELEASE	1 PACK



64.795.001



64.795.002

HEAVY DUTY TRUCK TIE DOWNS

PART#	STRAP WIDTH	STRAP LENGTH	W.L.L.	BREAK STRENGTH	COLOR	FASTENING TYPE	HOOK TYPE	PACK QTY
64.705.344	2"	30'	3300 LB	10000 LB	YELLOW	WINCH (SOLD SEPARATELY)	FLAT HOOKS	1 PACK
64.705.354	2"	30'	3300 LB	10000 LB	YELLOW	WINCH (SOLD SEPARATELY)	JJ HOOKS	1 PACK
64.320.881	4"	25'	5400 LB	16200 LB	YELLOW	WINCH (SOLD SEPARATELY)	JJ HOOKS	1 PACK
64.704.603	4"	30'	5400 LB	16200 LB	YELLOW	WINCH (SOLD SEPARATELY)	D-RING	1 PACK
64.703.603	4"	30'	5400 LB	16200 LB	YELLOW	WINCH (SOLD SEPARATELY)	FLAT HOOKS	1 PACK



FLAT HOOK



DOUBLE JJ HOOK



D-RING

4" PORTABLE BOLT ON WINCH
PART# 64.705.324



4" STANDARD WELD ON WINCH
PART# 67.705.314



BUNGEE CORD

BUNGEE CORD
1100 DTEX POLYESTER
PART# 64.705.873

- 9mm thick
- 1100 DTEX polyester
- Sold individually or in 48 pack
- Fully adjustable
- Locking safety gate
- Marine grade latex
- UV resistant

SOLD IN MULTIPLES
OF 24 ONLY



BUNGEE CORD
1100 DTEX POLYESTER
PART# 64.705.872

FEATURE

***WHILE QUANTITIES LAST**



BUNGEE CORDS - 48 PACK
PART# 64.705.873B



EPDM RUBBER TARP STRAPS

PART#	STRAP LENGTH	CAPACITY	HOOK TYPE	ADJUSTABLE
64.700.900	9"	50 LB	S	NO
64.701.500	15"	50 LB	S	NO
64.702.100	21"	50 LB	S	NO
64.714.100	41"	50 LB	S	NO
64.702.400	24"	50 LB	S	YES
64.713.100	31"	50 LB	S	YES



REPLACEMENT S HOOKS 5MM

PART# 64.710.040



STEEL STAKE POCKET 1-1/2" X 3-1/4" OPENING, 2-1/2" HIGH BLACK POWDER COATED FINISH PART# 71.000.014



D-RING TIE DOWN WITH FORGED PIN PART# 64.000.888

- 1/2" Ring diameter
- 2-1/2" X 2-1/2" I.D
- Working load limit is 4,080 pounds
- Bracket is 1-3/4" wide & 3/16" thick w/square
- Mounting holes to accept 3/8" carriage bolts
- Black powder coating finish



LOAD BINDER SECURING BRACKET PART# 64.100.004



CABLE TYPE BINDER LOCK PART# 64.100.104



RACK HOOKS

PART#	DESCRIPTION
65.500.900	RACK HOOK, 3" LEFT, LIGHT (AL3)
65.500.901	RACK HOOK, 3" RIGHT, LIGHT (AR3)
65.500.904	RACK SOCK EYE (A-1)



65.500.901

65.500.904

65.500.900

HEAVY DUTY TOWING ACCESSORIES

RECOVERY STRAPS

PART#	STRAP WIDTH	STRAP LENGTH	W.L.L. MAX VEHICLE WEIGHT	BREAK STRENGTH	COLOR	STRAP TYPE	CONNECTION TYPE	PACK QTY
64.151.520	2"	20'	7500 LB	15000 LB	YELLOW	STANDARD	LOOPS	1 PACK
64.152.020	2"	20'	10000 LB	20000 LB	YELLOW	STANDARD	LOOPS	1 PACK
64.152.030	2"	30'	7500 LB	15000 LB	YELLOW	STANDARD	LOOPS	1 PACK
64.006.502	3"	20'	13500 LB	27000 LB	YELLOW	HEAVY DUTY	LOOPS	1 PACK
64.006.602	3"	30'	13500 LB	27000 LB	YELLOW	HEAVY DUTY	LOOPS	1 PACK
64.153.630	4"	30'	18000 LB	36000 LB	YELLOW	HEAVY DUTY	LOOPS	1 PACK
64.156.030	6"	30'	27000 LB	54000 LB	YELLOW	HEAVY DUTY	LOOPS	1 PACK
64.153.620	4"	20'	18000 LB	36000 LB	YELLOW	HEAVY DUTY	EYE TO EYE	1 PACK
64.156.020	6"	20'	27000 LB	54000 LB	YELLOW	HEAVY DUTY	EYE TO EYE	1 PACK
64.161.250	6"	50'	60000 LB	120000 LB	ORANGE	HEAVY DUTY	MASTERLINK	1 PACK
64.161.650	8"	50'	80000 LB	160000 LB	ORANGE	HEAVY DUTY	MASTERLINK	1 PACK
64.162.050	10"	50'	100000 LB	200000 LB	ORANGE	HEAVY DUTY	MASTERLINK	1 PACK
64.162.450	12"	50'	120000 LB	240000 LB	ORANGE	HEAVY DUTY	MASTERLINK	1 PACK



RECOVERY STRAP WITH LOOPS



HEAVY DUTY RECOVERY STRAP WITH LOOPS



HEAVY DUTY RECOVERY STRAP WITH EYE TO EYE



HEAVY DUTY RECOVERY STRAPS WITH MASTERLINK

LIFT SLINGS

PART#	STRAP WIDTH	STRAP LENGTH	CONNECTION TYPE	VERTICAL	CHOKER	BASKET	COLOR	PACK QTY
64.156.206	2"	6'	TWISTED LOOPS	6200 LB	4960 LBS	12400 LB	YELLOW	1 PACK
64.156.208	2"	8'	TWISTED LOOPS	6200 LB	4960 LBS	12400 LB	YELLOW	1 PACK
64.156.210	2"	10'	TWISTED LOOPS	6200 LB	4960 LBS	12400 LB	YELLOW	1 PACK

THREE TYPES OF USES



BASKET



CHOKER



VERTICAL

LIFT THOUSANDS OF POUNDS



LOAD BINDERS

LOAD BINDERS ARE CONSTRUCTED FROM DROP FORGED STEEL, HEAT TREATED AND STAMPED WITH WORKING LOAD LIMIT, AND SIZE

MINI LOAD BINDER
PART# 64.100.000



MINI LOAD BINDERS

PART #	CHAIN SIZE (G30)	W.L.L.
64.100.000	3/16"	250

INDIRECT LOAD BINDER
PART# 64.101.002



INDIRECT MINI LOAD BINDERS

PART #	CHAIN SIZE		W.L.L.
	(G70)	(G43)	
64.101.002	5/16"	3/8'	5400

LEVER LOAD BINDER
PART# 64.100.001



LEVER LOAD BINDERS

PART #	CHAIN SIZE		W.L.L.
	(G70)	(G43)	
64.100.001		1/4"	2600
64.100.002	5/16"	3/8"	5400
64.100.003	3/8"	1/2"	9200

RATCHET LOAD BINDER
PART# 64.199.002



RATCHET LOAD BINDERS

PART #	CHAIN SIZE		W.L.L.
	(G70)	(G43)	
64.199.001		1/4"	2600
64.199.002	5/16"	3/8"	5400
64.199.003	3/8"	1/2"	9200
64.199.004	1/2"	5/8"	13000

FOLDING HANDLE LOAD BINDER
PART# 64.198.002



FOLDING HANDLE LOAD

PART #	CHAIN SIZE		W.L.L.
	(G70)	(G43)	
64.198.002	5/16"	3/8"	5400

LOAD BINDER SECURING BRACKET
PART# 64.100.004

- Works with mini, indirect and lever binders
- 4.25" length & 1.85" width



LOAD BINDER CABLE LOCK
PART# 64.100.104

- Stainless steel cable
- Aluminum stop plate



STAKE POCKET D-RING TIE DOWN
PART# 64.000.888

- Fits most standard stake pockets
- 1/2" Ring diameter with 2-1/2" i.D.
- 4080 lb W.L.L.



GRADE 70 TRANSPORT CHAIN ASSEMBLIES

G70 CHAIN WITH HOOKS

PART# 64.020.516



GRADE 70 TIE DOWN CHAIN ASSEMBLIES

- Yellow chromate plated with G70 stamped into every 10th link
- Complete with G70 grab hooks and DOT Tag

PART #	DIAMETER IN.	GRADE	LENGTH FT	W.L.L. (LBS)
64.016.516	5/16"	70	16	4700
64.020.516	5/16"	70	20	4700
64.016.038	3/8"	70	16	6600
64.020.038	3/8"	70	20	6600
64.025.038	3/8"	70	25	6600
64.020.005	1/2"	70	20	11300

18" G70 CHAIN EXTENSION 2 X 18"

PART# 64.218.516



GRADE 70 D-RING CHAIN EXTENSIONS

- 18" Yellow chrome plated extensions
- Complete with G70 grab hook and d-ring

PART #	DIAMETER IN.	GRADE	D-RING WIDTH	W.L.L. (LBS)
64.218.516	5/16"	70	2"	3300
64.318.038	3/8"	70	3"	5400
64.418.038	3/8"	70	4"	6600

AGRICULTURAL SAFETY CHAIN

PART# 64.367.516



INCLUDES HOOK

GRADE 70 AGRICULTURAL SAFETY CHAIN FOR TOWED MACHINES

- Yellow chromate plated with G70 stamped into every 10th link
- Complete with G70 safety grab hook, master link and DOT Tag

PART #	DIAMETER IN.	GRADE	LENGTH FT	SYSTEM STRENGTH / TOW CAPACITY (LBS)
64.358.014	1/4"	70	58"	10000
64.367.516	5/16"	70	67"	16100
64.362.038	3/8"	70	62"	20200
64.362.012	1/2"	70	62"	40000



GRADE 30 PROOF COIL CHAIN - HOT DIPPED GALVANIZED

PART #	DIAMETER IN.	GRADE	W.L.L. LBS	LENGTH FT	UOM
35KG BUCKET OPTIONS					
64.900.316	3/16"	30	800	190	EA
64.914.110	1/4"	30	1300	110	EA
64.951.670	5/16"	30	1900	70	EA
64.938.050	3/8"	30	2650	50	EA
DRUM OPTIONS					
64.900.025	1/4"	30	1300	800	FT
64.900.516	5/16"	30	1900	550	FT
64.900.038	3/8"	30	2650	400	FT
64.900.050	1/2"	30	4500	200	FT

- Low-strength carbon steel
- General purpose economical chain used in a variety of industries such as light construction, agricultural and marine.

⚠ Not for use for overhead lifting



GRADE 30 PROOF COIL CHAIN - ELECTRO GALVANIZED

PART #	DIAMETER IN.	GRADE	W.L.L. LBS	LENGTH FT	UOM
35KG BUCKET OPTIONS					
64.218.400	1/8"	30	400	400	EA
64.236.190	3/16"	30	800	190	EA
64.214.110	1/4"	30	1300	110	EA
64.251.670	5/16"	30	1900	70	EA
64.238.050	3/8"	30	2650	50	EA
DRUM OPTIONS					
64.200.025	1/4"	30	1300	400	FT
64.200.516	5/16"	30	1900	275	FT
64.200.038	3/8"	30	2650	200	FT
64.200.050	1/2"	30	4500	200	FT

- Low-strength carbon steel
- General purpose economical chain used in a variety of industries such as light construction, agricultural and marine.

⚠ Not for use for overhead lifting



GRADE 43 HIGH TEST CHAIN - ELECTRO GALVANIZED

PART #	DIAMETER IN.	GRADE	W.L.L. LBS	LENGTH FT	UOM
DRUM OPTIONS					
64.300.025	1/4"	43	2600	400	FT
64.300.516	5/16"	43	3250	275	FT
64.300.038	3/8"	43	5400	200	FT
64.300.050	1/2"	43	9200	200	FT

- Carbon steel
- Almost twice as strong as G30 chain, this general purpose chain is commonly used in logging, farming, marine and towing applications.

⚠ Not for use for overhead lifting



GRADE 70 TRANSPORT CHAIN - YELLOW CHROMATE

PART #	DIAMETER IN.	GRADE	W.L.L. LBS	LENGTH FT	UOM
35KG BUCKET OPTIONS					
64.114.110	1/4"	70	3150	110	EA
64.151.670	5/16"	70	4700	70	EA
64.138.050	3/8"	70	6600	50	EA
DRUM OPTIONS					
64.100.025	1/4"	70	3150	400	FT
64.100.516	5/16"	70	4700	275	FT
64.100.038	3/8"	70	6600	200	FT
64.100.050	1/2"	70	11300	200	FT

- High strength, heat treated carbon steel
- Load rating of approx. 20% Higher than grade 43. Mainly used for load securement and towing by truckers, loggers and highway crews. Yellow chromate finish for fast identification.
- Transport chain meets department of transportation (dot) regulations and nacm specification

⚠ Not for use for overhead lifting



***CHAIN IN DRUMS MUST BE ORDERED IN FULL DRUM QUANTITIES**

GRADE 80 ALLOY CHAIN - BLACK OXIDE

PART #	DIAMETER IN.	GRADE	W.L.L. LBS	LENGTH FT	UOM
DRUM OPTIONS					
64.108.516	5/16"	80	4500	200	FT
64.108.038	3/8"	80	7100	100	FT
64.108.050	1/2"	80	12000	100	FT



- High strength, heat treated alloy steel
- Rugged, versatile, high strength and low weight. Alloy chain is quenched and tempered before proof testing.
- Meets or exceeds the overhead lifting industry requirements.

GRADE 100 ALLOY CHAIN - BLACK OXIDE

PART #	DIAMETER IN.	GRADE	W.L.L. LBS	LENGTH FT	UOM
DRUM OPTIONS					
64.109.516	5/16"	100	5700	100	FT
64.109.038	3/8"	100	8800	100	FT
64.109.050	1/2"	100	15000	100	FT

***CHAIN IN DRUMS MUST BE ORDERED IN FULL DRUM QUANTITIES**



CHAIN CONTAINER SIZES & OPTIONS

35KG REPLACEMENT BUCKET
PART# 64.000.001



P14 DRUM 125 KGS



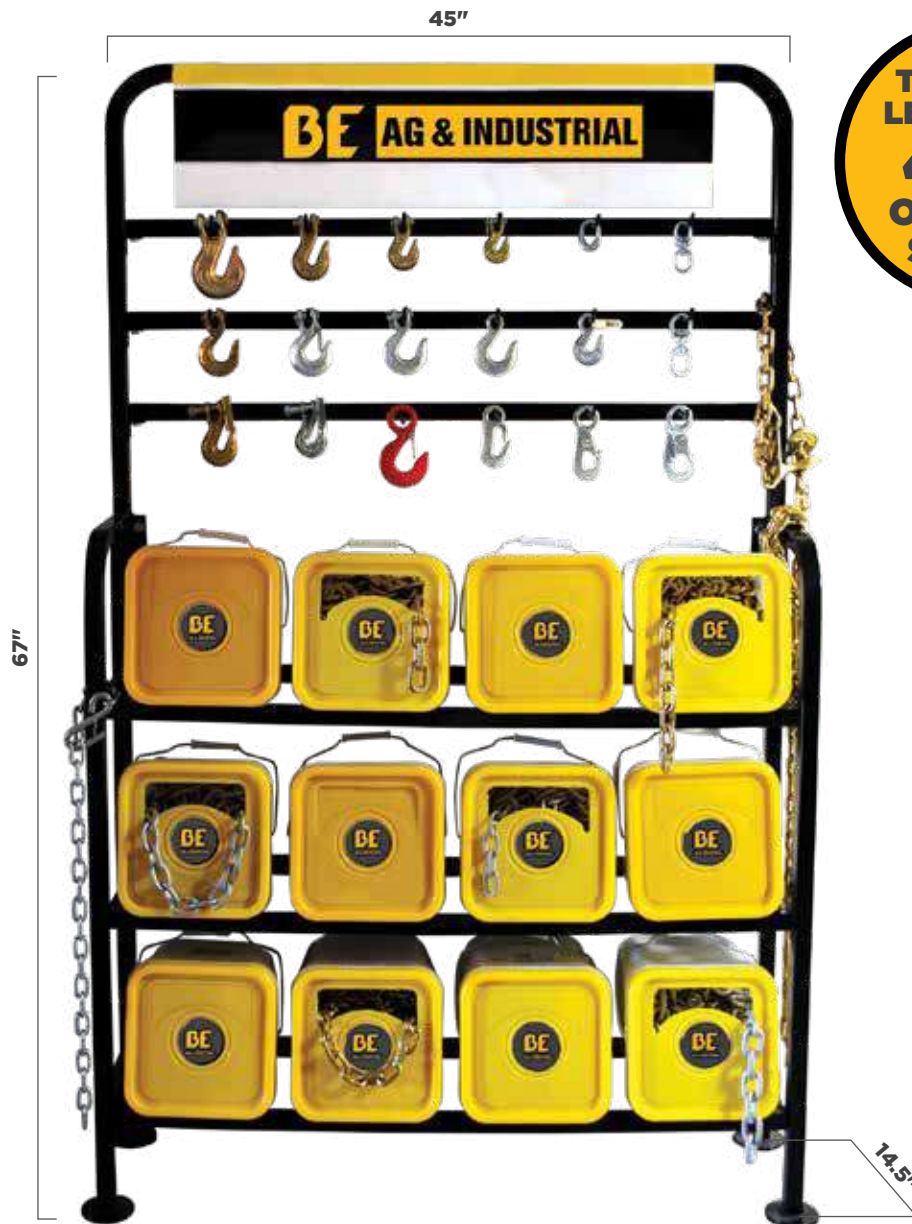
P15 DRUM 250 KGS



STAND ALONE CHAIN & HOOK DISPLAY

HD CHAIN DISPLAY
PART# 64.000.000

**18 SPOTS
FOR
HANGING
HOOKS OR
CHAIN
ACCESSORIES!**



CHAIN HOOKS - DISPLAY ITEMS

EYE GRAB HOOK G43

STARTING AT



PART#	SIZE	GRADE
64.611.006	1/4"	G43
64.611.007	5/16"	G43
64.611.008	3/8"	G43

EYE SLIP HOOK G43

STARTING AT



PART#	SIZE	GRADE
64.600.006	1/4"	G43
64.600.007	5/16"	G43
64.600.008	3/8"	G43

EYE HOIST HOOK W/ LATCH

STARTING AT



PART#	SIZE
64.600.010	3/4 TON
64.600.012	1.5 TON, 3/8"
64.600.014	3 TON, 1/2"

CLEVIS GRAB HOOK G43

STARTING AT



PART#	SIZE	GRADE
64.000.009	1/4"	G43
64.000.010	5/16"	G43
64.000.011	3/8"	G43

CLEVIS GRAB HOOK W/ LATCH G43

STARTING AT



PART#	SIZE	GRADE
64.311.009	1/4"	G43
64.311.010	5/16"	G43
64.311.011	3/8"	G43

CLEVIS SLIP HOOK G43

STARTING AT



PART#	SIZE	GRADE
64.307.006	1/4"	G43
64.307.007	5/16"	G43
64.307.008	3/8"	G43

CLEVIS SLIP HOOK W/ LATCH G43

STARTING AT



PART#	SIZE	GRADE
64.310.006	1/4"	G43
64.310.007	5/16"	G43
64.310.008	3/8"	G43

CLEVIS GRAB HOOK G70

STARTING AT



PART#	SIZE	GRADE
64.100.009	1/4"	G70
64.100.010	5/16"	G70
64.100.011	3/8"	G70
64.100.014	1/2"	G70

CLEVIS GRAB HOOK W/ LATCH G70

STARTING AT



PART#	SIZE	GRADE
64.111.009	1/4"	G70
64.111.010	5/16"	G70
64.111.011	3/8"	G70
64.111.012	1/2"	G70

CLEVIS SLIP HOOK G70

STARTING AT



PART#	SIZE	GRADE
64.100.006	1/4"	G70
64.100.007	5/16"	G70
64.100.008	3/8"	G70
64.100.013	1/2"	G70

CLEVIS SLIP HOOK W/ LATCH G70

STARTING AT



PART#	SIZE	GRADE
64.110.006	1/4"	G70
64.110.007	5/16"	G70
64.110.008	3/8"	G70
64.110.009	1/2"	G70

WELD-ON BUCKET HOOKS - G70

STARTING AT



PART#	SIZE	GRADE
64.500.516	5/16"	G70
64.500.038	3/8"	G70
64.500.076	7/16"	G70
64.500.012	1/2"	G70

SAFETY WINCH HOOKS
FORGED CARBON STEEL
 PART# 64.612.136



PART #	CHAIN SIZE	HOLE SIZE	W.L.L.
64.612.136	1/4"	3/4"	1500 LB

CHAIN SWIVELS
HOT DIPPED GALVANIZED STEEL
 PART# 64.400.444



PART #	CHAIN SIZE	W.L.L.	DESCRIPTION
64.400.444	1/4"	850 LB	EYE & EYE
64.400.445	5/16"	1250 LB	EYE & EYE
64.400.749	3/4"	7200 LB	JAW & EYE

JAW END SWIVEL
3/4" GALVANIZED
 PART# 64.400.749



COLD SHUT LINKS
ZINC PLATED FORMED STEEL
 PART# 64.602.001



PART #	CHAIN SIZE	W.L.L.
64.602.001	1/4"	750 LB
64.602.002	5/16"	1250 LB
64.602.003	3/8"	1900 LB

REPAIR LINK LAPS
ZINC PLATED MILD STEEL
 PART# 64.600.000



PART #	CHAIN SIZE	W.L.L.
64.600.000	1/8"	150 LB
64.600.001	3/16"	200 LB
64.600.002	1/4"	400 LB
64.600.003	5/16"	700 LB
64.600.004	3/8"	1500 LB

GRADE 70 MID-LINK CONNECTORS
YELLOW ZINC PLATED STEEL. G70 STAMP
 PART# 64.777.516



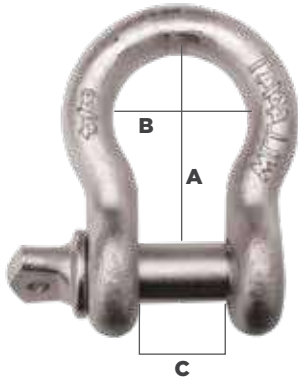
PART #	CHAIN SIZE	W.L.L.	GRADE
64.777.516	1/4" - 5/16"	4700LB	G70
64.777.038	3/8"	6600 LB	G70
64.777.050	7/16" - 1/2"	11300 LB	G70

1/8" QUICK LINK
 PART# 64.600.030



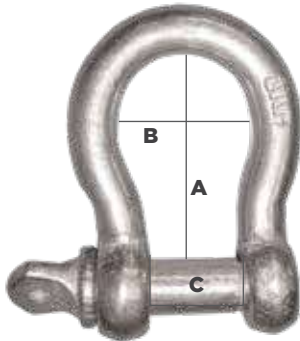
PART #	CHAIN SIZE	W.L.L.
64.600.030	1/8"	220 LB
64.600.031	3/16"	660 LB
64.600.032	1/4"	880 LB
64.600.033	5/16"	1760 LB
64.600.034	3/8"	2200 LB
64.600.035	7/16"	2640 LB
64.600.036	1/2"	3300 LB

RATED ANCHOR SHACKLES GALVANIZED STARTING AT



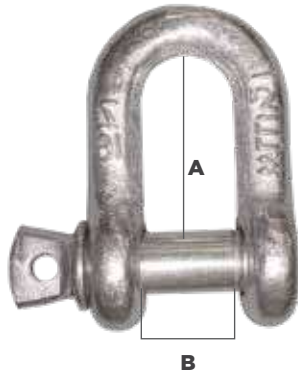
PART#	BODY DIAMETER	PIN DIAMETER	A	B	C	W.L.L. (TONS)
64.400.020	1/4"	5/16"	1-1/8"	3/4"	1/2"	1/2
64.400.021	5/16"	3/8"	1-1/4"	7/8"	1/2"	3/4
64.400.022	3/8"	7/16"	1-7/16"	1"	5/8"	1
64.400.023	7/16"	1/2"	1-11/16"	1-1/8"	3/4"	1-1/2
64.400.024	1/2"	5/8"	1-7/8"	1-5/16"	3/4"	2
64.400.025	5/8"	3/4"	2-3/8"	1-5/8"	1-1/16"	3-1/4
64.400.026	3/4"	7/8"	2-3/4"	2"	1-1/4"	4-3/4
64.400.027	7/8"	1"	3-5/16"	2-1/4"	1-7/16"	6-1/2
64.400.028	1"	1-1/8"	3-3/4"	2-11/16"	1-11/16"	8-1/2
64.400.029	1-1/8"	1-1/4"	4-1/4"	2-5/8"	1-3/4"	9-1/2
64.400.030	1-1/4"	1-3/8"	4-11/16"	3"	2"	12
64.400.031	1-3/8"	1-1/2"	5-1/4"	3-5/8"	2-1/4"	13-1/2
64.400.032	1-1/2"	1-5/8"	5-3/4"	3-7/8"	2-3/8"	17

NON-RATED COMMERCIAL ANCHOR SHACKLE STARTING AT



PART#	BODY DIAMETER	PIN DIAMETER	A	B	C	W.L.L.
64.398.020	1/4"	5/16"	1-1/8"	3/4"	1/2"	600LBS
64.398.021	5/16"	3/8"	1-7/32"	13/16"	17/32"	1/2 TONS
64.398.022	3/8"	7/16"	1-7/16"	15/16"	1-7/16"	3/4 TONS
64.398.023	7/16"	5/8"	1-7/8"	1-5/16"	13/16"	1-1/2 TONS
64.398.024	1/2"	3/4"	2-3/8"	1-11/16"	1-1/16"	2-1/4 TONS
64.398.025	5/8"	1/2"	1-11/16"	1-5/32"	11/16"	1-1/4 TONS

CHAIN SHACKLE GALVANIZED SCREW PART# 64.400.001



PART#	BODY DIAMETER	PIN DIAMETER	A	B	W.L.L. (TON)
64.400.001	1/4"	5/16"	7/8"	7/16"	1/2
64.400.002	5/16"	3/8"	1"	9/16"	3/4"
64.400.003	3/8"	7/16"	1-1/4"	5/8"	1
64.400.004	7/16"	1/2"	1-7/16"	11/16"	1-1/2
64.400.005	1/2"	5/8"	1-5/8"	3/4"	2

WIRE ROPE SLEEVES

PART# 64.424.080



ALUMINUM CABLE SLEEVE

PART#	PACK QTY	SIZE
64.424.080	10	1/16 X 3/8
64.424.081	10	3/32 X 1/2
64.424.082	10	1/8 X 5/8
64.424.083	10	5/32 X 9/16
64.424.084	6	3/16 X 1
64.424.085	5	1/4 X 1-1/8

WIRE ROPE CLIPS

PART# 64.424.001



CLIP, MALLEABLE WIRE ROPE

PART#	SIZE
64.424.001	1/8"
64.424.002	3/16"
64.424.003	1/4"
64.424.004	5/16"
64.424.005	3/8"
64.424.007	1/2"
64.424.008	5/8"
64.424.009	3/4"

CLIP, FORGED WIRE ROPE

PART#	SIZE
64.424.021	1/8"
64.424.022	3/16"
64.424.023	1/4"
64.424.024	5/16"
64.424.025	3/8"
64.424.027	1/2"

THIMBLE

PART# 64.424.041



THIMBLE, CABLE

PART#	SIZE
64.424.041	1/8"
64.424.042	3/16"
64.424.043	1/4"
64.424.044	5/16"
64.424.045	3/8"
64.424.047	1/2"

THIMBLE, CABLE HEAVY DUTY

PART#	SIZE
64.424.063	1/4"
64.424.064	5/16"
64.424.065	3/8"
64.424.067	1/2"
64.424.069	5/8"

GALVANIZED AIRCRAFT CABLE

3/32" X 500' ROLL

PART# 64.424.999



MINI CABLE CUTTER

PART# 64.424.000





TURNBUCKLES FORGED & HOT DIP GALVANIZED

PART#	DESCRIPTION	SIZE
64.395.520 *	HOOK & EYE	3/16" X 3-3/4"
64.395.522 *	HOOK & EYE	1/4" X 4-1/2"
64.395.523 *	HOOK & EYE	1/4" X 6"
64.395.524 *	HOOK & EYE	5/16" X 5-3/4"
64.395.525 *	HOOK & EYE	5/16" X 6-3/4"
64.395.120	HOOK & EYE	1/4"X4"
64.395.121	HOOK & EYE	5/16"X4-1/2"
64.395.122	HOOK & EYE	3/8"X6"
64.395.124	HOOK & EYE	1/2"X6"



TURNBUCKLES FORGED & HOT DIP GALVANIZED

PART#	DESCRIPTION	SIZE
64.395.100	HOOK & HOOK	1/4"X4"
64.395.101	HOOK & HOOK	5/16"X4-1/2"
64.395.102	HOOK & HOOK	3/8"X6"
64.395.104	HOOK & HOOK	1/2"X6"



TURNBUCKLES FORGED & HOT DIP GALVANIZED

PART#	DESCRIPTION	SIZE
64.395.140	EYE & EYE	1/4"X4"
64.395.141	EYE & EYE	5/16"X4-1/2"
64.395.142	EYE & EYE	3/8"X6"
64.395.144	EYE & EYE	1/2"X6"



TURNBUCKLES FORGED & HOT DIP GALVANIZED

PART#	DESCRIPTION	SIZE
64.395.160	JAW & JAW	1/4"X4"
64.395.161	JAW & JAW	5/16"X4-1/2"
64.395.162	JAW & JAW	3/8"X6"
64.395.164	JAW & JAW	1/2"X6"



SQUARE U BOLTS WITH NUTS

PART#	SIZE
66.200.021	3/8" X 2" X 3"
66.200.022	3/8" X 2" X 5"
66.200.023	3/8" X 4" X 3"
66.200.024	3/8" X 4" X 5"
66.200.025	3/8" X 6" X 5"
66.200.026	3/8" X 6" X 7"



ROUND U BOLTS WITH PLATE & NUTS

PART#	SIZE
66.200.001	1/4" X 1-1/8"
66.200.002	1/4" X 1-3/8"
66.200.003	1/4" X 2"
66.200.004	5/16" X 1-3/8"
66.200.005	5/16" X 1-3/8"
66.200.006	5/16" X 1-3/4"
66.200.007	5/16" X 1-3/4"
66.200.008	5/16" X 2"
66.200.009	5/16" X 2"
66.200.010	5/16" X 2-1/2"
66.200.011	5/16" X 2-1/2"
66.200.012	3/8" X 2-1/2"
66.200.013	3/8" X 3"
66.200.020	3/8" X 3-1/2"

1" SQUARE SWIVEL SNAP
16 KG WLL; MALLEABLE
PART# 68.500.011



3-1/2" OPEN EYE SNAP
30 KG WLL; MALLEABLE
PART# 68.500.020



5/8" SOLID SNAP
16 KG WLL; MALLEABLE
PART# 68.500.040



3-1/2" DOUBLE BOLT SNAP
19 KG WLL; MALLEABLE
PART# 68.500.030



1" SECURITY SNAP
27 KG WLL; MALLEABLE
PART# 68.500.071



3/8" ROUND SWIVEL SNAP
PART# 68.500.001



ROUND SWIVEL SNAPS

PART#	DESCRIPTION
68.500.001	3/8", 14 KG WLL; MALLEABLE; NICKEL PLATED
68.500.002	1/2", 16 KG WLL; MALLEABLE; NICKEL PLATED
68.500.003	5/8", 16 KG WLL; MALLEABLE; NICKEL PLATED
68.500.004	3/4", 24 KG WLL; MALLEABLE; NICKEL PLATED

1/2" ROUND SWIVEL SCISSOR SNAPS
PART# 68.500.050



ROUND SWIVEL SCISSOR SNAPS

PART#	DESCRIPTION
68.500.050	1/2" 18 KG WLL; MALLEABLE
68.500.051	5/8" 20 KG WLL; MALLEABLE

1/2" PANIC SNAP
PART# 68.500.061



PANIC SNAPS

PART#	DESCRIPTION
68.500.061	FIXED EYE 1/2" 24 KG WLL; MALLEABLE
68.500.062	SWIVEL EYE 3/4" 24 KG WLL; MALLEABLE

3/4" SWIVEL EYE LEVER SNAP
24 KG WLL; NICKLE PLATED
PART# 68.500.081



2-7/8" ROPE SNAP
STEEL
PART# 68.500.090



3/8" X 2-1/2" SPRING SNAP
ALLOY STEEL
PART# 68.500.100



3/8" BABY SPRING SNAP
3/8" X 2-1/2"
PART# 68.500.200



LANYARD SAFETY SNAP
PART# 64.612.137



PART#	DESCRIPTION
64.612.137	SINGLE 3/4"
64.612.138	DOUBLE 1"

2" SWIVEL PULLEY BLOCK

PART# 68.300.021



SWIVEL PULLEY BLOCKS

PART#	DESCRIPTION
68.300.021	2" SWIVEL EYE, 460 LB WLL; MAX CBL DIA: 3/16"
68.300.023	3" SWIVEL EYE, 650 LB WLL; MAX CBL DIA: 1/4"

3/4" SWIVEL EYE PULLEY

PART# 68.300.015



SWIVEL EYE PULLEYS

PART#	DESCRIPTION
68.300.015	3/4IN, 40 KG WLL
68.300.016	1IN, 40 KG WLL
68.300.017	1-1/4IN, 40 KG WLL
68.300.018	1-1/2IN, 40 KG WLL
68.300.019	2IN, 40 KG WLL

2" FIXED PULLEY BLOCK

PART# 68.300.061



FIXED PULLEY BLOCKS

PART#	DESCRIPTION
68.300.061	2" FIXED EYE, 480 LB WLL; MAX CBL DIA: 3/16"
68.300.062	2.5" FIXED EYE, 550 LB WLL; MAX CBL DIA: 1/4"
68.300.063	3" FIXED EYE, 650 LB WLL; MAX CBL DIA: 1/4"

3/4" SINGLE FIXED PULLEY

PART# 68.300.010



SINGLE FIXED PULLEYS

PART#	DESCRIPTION
68.300.010	3/4", 50 KG WLL
68.300.011	1", 50 KG WLL
68.300.012	1-1/4", 80 KG WLL
68.300.013	1-1/2", 80 KG WLL
68.300.014	2", 80 KG WLL

2" DOUBLE SCISSOR BLOCK

PART# 68.300.041



DOUBLE SCISSOR BLOCKS

PART#	DESCRIPTION
68.300.041	2" DBL SCISSOR PULLEY BLOCK, 480 LB WLL; MAX CBL DIA: 3/16"
68.300.042	2.5" DBL SCISSOR PULLEY BLOCK, 550 LB WLL; MAX CBL DIA: 1/4"
68.300.043	3" DBL SCISSOR PULLEY BLOCK, 650 LB WLL; MAX CBL DIA: 1/4"

2" SINGLE SCISSOR BLOCK

PART# 68.300.051



SINGLE SCISSOR BLOCKS

PART#	DESCRIPTION
68.300.051	2" SCISSOR PULLEY BLOCK, 480 LB WLL; MAX CBL DIA: 3/16"
68.300.052	2.5" SCISSOR PULLEY BLOCK, 550 LB WLL; MAX CBL DIA: 1/4"
68.300.053	3" SCISSOR PULLEY BLOCK, 650 LB WLL; MAX CBL DIA: 1/4"

1/8" S-HOOK

PART# 65.600.001



S-HOOKS

PART#	DESCRIPTION
65.600.001	S-HOOK, 1/8", WLL 10 KG
65.600.002	S-HOOK, 5/32", WLL 16 KG
65.600.003	S-HOOK, 3/16", WLL 25 KG
65.600.004	S-HOOK, 1/4", WLL 35 KG
65.600.005	S-HOOK, 5/16", WLL 58 KG

LAG SCREW EYEBOLT

PART# 68.300.005



LAG SCREW EYEBOLTS

PART#	SIZE	MATERIAL
68.300.001	1/4" X 3-3/4"	ZINC PLATED; W/LABEL
68.300.002	1/4" X 5"	ZINC PLATED; W/LABEL
68.300.003	5/16" X 4"	ZINC PLATED; W/LABEL
68.300.004	5/16" X 6"	ZINC PLATED; W/LABEL
68.300.005	3/8" X 4-1/2"	ZINC PLATED; W/LABEL
68.300.006	3/8" X 8"	ZINC PLATED; W/LABEL

WIRE FORMED EYEBOLT

PART# 68.400.001



WIRE FORMED EYEBOLTS

PART#	SIZE	MATERIAL
68.400.001	3/16" X 2"	ZINC PLATED
68.400.002	3/16" X 2-1/2"	ZINC PLATED
68.400.003	1/4" X 2"	ZINC PLATED
68.400.004	1/4" X 2-1/2"	ZINC PLATED
68.400.005	1/4" X 3"	ZINC PLATED
68.400.006	1/4" X 4"	ZINC PLATED
68.400.009	5/16" X 3-1/4"	ZINC PLATED
68.400.010	5/16" X 4"	ZINC PLATED
68.400.011	5/16" X 5"	ZINC PLATED
68.400.012	5/16" X 6"	ZINC PLATED
68.400.013	3/8" X 4"	ZINC PLATED
68.400.014	3/8" X 5"	ZINC PLATED
68.400.015	3/8" X 6"	ZINC PLATED
68.400.016	3/8" X 8"	ZINC PLATED
68.400.017	1/2" X 6"	ZINC PLATED
68.400.018	1/2" X 8"	ZINC PLATED

KEYSTOCK

PART# 68.100.201



KEYSTOCKS

PART#	SIZE	MATERIAL
68.100.201	3/16" X 3/16" X 12"	ZINC PLATED
68.100.202	1/4" X 1/4" X 12"	ZINC PLATED
68.100.203	5/16" X 5/16" X 12"	ZINC PLATED

SPRING CLIP

PART# 65.500.071



SPRING CLIPS

PART#	SIZE	MATERIAL
65.500.071	3/16" X 2"	ZINC PLATED
65.500.072	1/4" X 2-3/8"	ZINC PLATED
65.500.074	5/16" X 3-1/8"	ZINC PLATED
65.500.076	3/8" X 4"	ZINC PLATED

D RINGS

PART#	SIZE	MATERIAL	WIRE DIAM.
68.650.001	3/4"	NICKEL PLATED	1/8"
68.650.003	1"	NICKEL PLATED	1/8"
68.650.005	1-5/16"	NICKEL PLATED	5/32"
68.650.006	1-5/8"	NICKEL PLATED	5/32"
68.650.007	2"	NICKEL PLATED	11/64"

3/4" D RING

PART# 68.650.001


SPLIT RINGS

PART#	SIZE	DESCRIPTION
68.650.034	3/4"	LIGHT SPLIT RING, ROUND EDGE
68.650.035	1"	LIGHT SPLIT RING, ROUND EDGE
68.650.036	1-1/4"	SPLIT RING, ANGLE EDGE

3/4" SPLIT RING

PART# 68.650.034


HARNESS RINGS

PART#	SIZE	DESCRIPTION
68.650.002	1-1/4"	NICKEL PLATED; W/LABEL
68.650.004	1-1/2"	NICKEL PLATED; W/LABEL
68.154.580	1/4" X 1"	STEEL

1-1/4" HARNESS RING

PART# 68.650.002


RING AND BOLT

PART#	SIZE	MATERIAL
68.300.290	2" RING X 2.5" BOLT	ZINC PLATED
68.300.295	2" RING X 4.5" LAGSCREW	ZINC PLATED

2" RING AND BOLT

PART# 68.300.290


3/8" X 3-1/2" ROPE HOOK

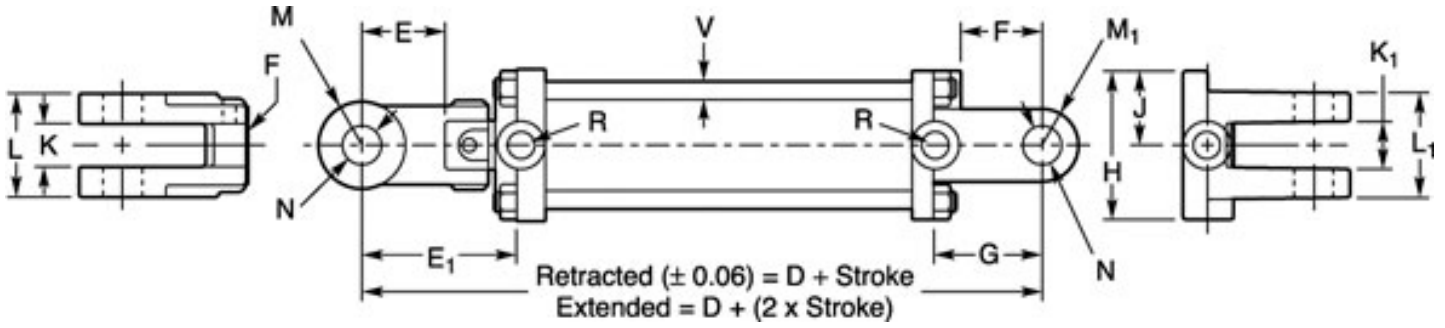
PART# 68.114.010


2" MOUNTING RING AND BRACKET

2" ID X 1-15/16"; 1/4" MNT HOLE

PART# 68.600.995





DIMENSION	2"	2.5"	3"	3.5"	4"
D	10-1/4	10-1/4	10-1/4	10-1/4	10-1/4
E	2-1/8	2-1/8	2-1/8	2-1/8	2-1/8
E 1	4-7/16	4-7/16	4-7/16	4-7/16	4-7/16
F	1-5/8	1-5/8	2	2	2
G	2-3/8	2-3/8	2-1/4	2-1/4	2-1/4
H	2-3/4	3-1/8	3-3/4	4-1/4	4-7/8
J	1-3/8	1-9/16	1-7/8	2-1/8	2-7/16
K	1-1/8	1-1/8	1-1/8	1-1/8	1-1/8
K 1	1-1/8	1-1/8	1-1/8	1-1/8	1-1/4
L	2-3/4	2-3/4	2-3/4	2-3/4	2-3/4
L 1	2-1/2	2-1/2	2-9/16	1-3/4	3
M	1-1/8	1-1/8	1-1/8	1-1/8	1-1/8
M 1	1	1	1	1-1/8	1-1/8
N PML	1-1/64	1-1/64	1-1/64	1-1/64	1-1/64
N PMH	1-1/64	1-1/64	1-1/64	1-1/64	1-1/64
P	1-1/8 - 12	1-1/8 - 12	1-1/4 - 12	1-1/4 - 12	1-1/4 - 12
R PML	3/8	3/8	1/2	1/2	1/2
R PMH	3/4 - 16	3/4 - 16	3/4 - 16	3/4 - 16	3/4 - 16
V	3/8	3/8	1/2	5/8	5/8

ASAE 2500 PSI HYDRAULIC CYLINDER
2500PSI
PART# 46.002.008



BORE SIZE	PART #	BORE X STROKE	RETRACT LENGTH	ROD DIA.	CLEVIS PIN DIA.	WT. (KG)
2"	46.002.004	2" X 4"	20.25"	1.125"	1"	
	46.002.008	2" X 8"	20.25"	1.125"	1"	8.50
	46.002.010	2" X 10"	20.25"	1.125"	1"	9.07
	46.002.012	2" X 12"	22.25"	1.125"	1"	9.53
	46.002.018	2" X 18"	28.25"	1.125"	1"	
2.5"	46.025.008	2.5" X 8"A	20.25"	1.125"	1"	9.98
	46.025.010	2.5" X 10"	20.25"	1.125"	1"	10.00
	46.025.012	2.5" X 12"	22.25"	1.125"	1"	
3"	46.003.008	3" X 8"A	20.25"	1.25"	1"	13.00
	46.003.010	3" X 10"	20.25"	1.25"	1"	13.70
	46.003.012	3" X 12"	22.25"	1.25"	1"	14.00
	46.003.016	3" X 16"	26.25"	1.25"	1"	
	46.003.016A	3" X 16"A	26.25"	1.25"	1"	
	46.003.024	3" X 24"	34.25"	1.25"	1"	
3.5"	46.035.008	3.5" X 8"A	20.25"	1.125"	1.25"	
	46.035.016	3.5" X 16"A	28.25"	1.125"	1.25"	
4"	46.004.008	4" X 8"A	20.25"	1.25"	1.25"	17.50
	46.004.024WL	4" X 24"WL	34.25"	1.25"	1.25"	

11 GPM HI/LO HYDRAULIC PUMP
2 STAGE GEAR PUMP, 1/2" SHAFT CW,
11GPM, NOMINAL FLOW, 3000 PSI
PART# 46.333.008



16 GPM HI/LO HYDRAULIC PUMP
2 STAGE GEAR PUMP, 1/2" SHAFT CW,
16GPM, NOMINAL FLOW, 3000 PSI
PART# 46.333.009



HYDRAULIC RESERVOIR

PART# 46.333.100



- Black powder coat finish
- Sturdy 12 gauge steel welded construction
- Clip on style breather cap
- Welded-on mounting brackets
- 1-1/2" NPT suction port
- 3/4" NPT return port

STROKE CONTROL KITS

PART# 46.888.101



STROKE CONTROL KITS

PART#	FITS
46.888.100	1-1/8" TO 1-1/4" RODS
46.888.101	1-3/8" TO 1-1/2" RODS
46.888.102	1-1/8" TO 1-1/2" RODS, WITH FINGER TABS
46.888.103	1-3/4" TO 2" RODS, WITH FINGER TABS

STROKE CONTROL SEGMENTS

PART# 46.888.011



STROKE CONTROL SEGMENTS

PART#	DESCRIPTION
46.888.006	FITS 1-3/8" TO 1-1/2" ROD, 1" WIDE
46.888.010	FITS 1-3/8" TO 1-1/2" RODS, 1-1/2" WIDE
46.888.011	1" WIDE FOR 2" DIA
46.888.013	2" WIDE FOR 2" DIA

MALE COUPLER TIP & FEMALE COUPLER KIT 1/2" FNPT

PART# 46.082.012



HYDRAULIC COUPLER TIPS

PART#	DESCRIPTION
46.080.038	MALE COUPLER TIP 3/8" FNPT
46.080.012	MALE COUPLER TIP 1/2" FNPT
46.081.038	FEMALE COUPLER 3/8" FNPT
46.081.012	FEMALE COUPLER 1/2" FNPT
46.082.012	MALE TIP & FEMALE COUPLER KIT 1/2" FNPT

CLEVIS PIN 1" X 2" USL

PART# P-7712



CYLINDER PINS

PART#	DESCRIPTION
P-7712	CYLINDER PIN 1 X 2" USABLE
P-7729	CYLINDER PIN 1 X 2-3/4" USABLE
P-7743	CYLINDER PIN 1 X 2-7/8" USABLE
P-7744	CYLINDER PIN 1 X 3" USABLE
P-7746	CYLINDER PIN 1 X 3-1/4" USABLE
P-7750	CYLINDER PIN 1-1/4 X 3-1/4" USABLE

MUFFLER CLAMPS

PART# 66.100.004



PART#	SIZE
66.100.001	1-1/2"
66.100.002	1-3/4"
66.100.003	1 7/8"
66.100.004	2"
66.100.005	2-1/4"
66.100.006	2-1/2"
66.100.007	2-3/4"
66.100.008	3"
66.100.009	3-1/2"
66.100.010	4"
66.100.011	5"

MUFFLER HANGER

PART# 66.100.015



DRAWING HOLDER

ECONOMY SMALL

PART# 67.000.999



MUFFLER CLAMPS

REPLACES FORD 9N5251;

FITS FORD 2N, 8N, 9N, MF 20, 30, 40 AND 50

PART# 100901MC



2" RAIN CAP

PART# 66.000.002



WEATHER/RAIN CAP

PART#	SIZE
66.000.150	1-1/2" - 1-11/16" ADJUSTABLE LENGTH
66.000.175	1-3/4" - 1-15/16" ADJUSTABLE LENGTH
66.000.002	2" - 2-3/16" ADJUSTABLE LENGTH
66.000.225	2-1/4" - 2-7/16" ADJUSTABLE LENGTH
66.000.250	2-1/2" - 2-11/16" ADJUSTABLE LENGTH
66.000.275	2-3/4" - 2-15/16" ADJUSTABLE LENGTH
66.000.003	3" - 3-3/16" ADJUSTABLE LENGTH
66.000.350	3-1/2" - 3-11/16" ADJUSTABLE LENGTH
66.000.004	4" - 4-3/16" ADJUSTABLE LENGTH

HD DRAWING HOLDER

DELUXE SMALL

PART# 67.221.000



HD DRAWING HOLDER

DELUXE LARGE

PART# 67.222.000



**WHEEL SPINNER
ALUMINUM**
PART# 67.097.060



**WHEEL SPINNER
STANDARD, BLACK**
PART# 67.096.060



**WHEEL SPINNER
STANDARD, RED**
PART# 67.094.060



**WHEEL SPINNER
DELUXE, BLACK**
PART# 67.099.060



**SPARK PLUG CABLES
4 CYLINDER**
PART# CPN12259



- Tractors: All 4 cylinder (1939-1964)
- Copper core
- Rubber boots keep out dirt & moisture for fast starts
- Engineered for reliability & long life

12V TRACTOR CAB FAN - 6"
PART# FCAB6



- Secure with Suction Cup
- Low Noise
- 9 Watt Energy Saving

GREASE GUNS

18V LITHIUM ION GREASE GUN

PART# 67.018.000

- Heavy duty die cast aluminum head
- Air vent (bleeder valve)
- 3-way loading, 397g (14 oz) cartridge, suction or fast refill bulk loader valve
- Ergonomic handle with rubber grip
- Built in anti-debris filter

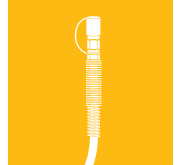


NEW!

INCLUDES



18V ELECTRIC GREASE GUN



30" EXTRA LONG GREASE HOSE WITH BEND RESTRICTORS



HEAVY DUTY 10,000PSI GREASE COUPLER



(2) 18V LITHIUM ION 1500MAH BATTERY PACKS



FAST 1 HOUR BATTERY CHARGER WITH LED INDICATOR LIGHTS



BLOW MOULD CASE FOR STORAGE AND TRANSPORT

30" EXTRA LONG GREASE HOSE WITH BEND RESTRICTORS

WITH STANDARD 14 OZ (397G) GREASE CARTRIDGE OR WITH BULK FILLING

DELIVERS APPROX. 3 OZ PER MINUTE HIGH FLOW RATE

MAX PSI 10,000 POWERS THROUGH CLOGGED GREASE FITTINGS

LEVER ACTION GREASE GUN STANDARD / 10,000 PSI RATING

PART# 67.211.000

- Working pressure 4500 PSI
- Air valve to release air locks & priming problems
- 2 Way loading - 14oz (397g) grease cartridge or suction fill
- Ergonomic rubber grip handle & knurled barrel provide secure grip
- 12" Grease hose & 9" rigid extension with heavy duty coupler included



LEVER ACTION GREASE GUN INDUSTRIAL / 10,000 PSI RATING

PART# 67.212.000

- Working pressure 6000 PSI
- Air valve to release air locks & priming problems
- 3 Way loading - 14oz (397g) grease cartridge, bulk loader fitting or suction fill
- Ergonomic rubber grip handle & knurled barrel provide secure grip
- 9" Rigid extension with heavy duty coupler included



PRODUCT MAY VARY FROM IMAGE

**PISTOL GRIP GREASE GUN
INDUSTRIAL / 7000 PSI RATING****PART# 67.208.000**

- Working pressure 4500 PSI
- Air valve to release air locks & priming problems
- 3 Way loading - 14oz (397g) grease cartridge, bulk loader fitting or suction fill
- Ergonomic rubber grip handle & knurled barrel provide secure grip
- 18" Grease hose with heavy duty coupler included

**PNEUMATIC GREASE GUN
PISTOL GRIP HANDLE / 6000 PSI****PART# 67.000.116**

- Delivers 1200-3600 PSI when supplied with 30-90 PSI from compressor
- 2 Way loading - 14oz (397g) grease cartridge or suction fill
- Ergonomic handle with pistol style trigger provides secure grip and ease of use
- 9" Grease hose with heavy duty coupler and 1/4" npt q/c air fitting included

**SUCTION GUN
INDUSTRIAL / 16OZ CAPACITY****PART# 67.000.100**

- Capacity of 16oz (473ml) of fluids
- Zinc plated head and powder coated barrel provide corrosion resistance
- 12" Flexible hose included
- Removable head and base allow for easy cleaning and repairs



UNIVERSAL GREASE GUN HOLDER

PART# 67.000.019

- Holds grease or suction guns up to 2-1/4" diameter barrels
- Easily mounts on most surfaces such as walls or equipment
- Zinc plated for corrosion & rust resistance



HEAVY DUTY GUN HOLDER

PART# 67.000.119

- Heavy duty spring holds 14oz or 16oz suction or grease guns
- 4 Bolt hole mounting for mounting on most surfaces
- Black powder coat finish for corrosion & rust resistance



GREASE GUN COUPLERS

WITH BALL CHECKS & HEX NUTS FOR EASY INSTALL/REMOVAL. FITS MOST GREASE GUNS.



PART #	TYPE	NPT (F)	WORKING PSI	BURST PSI	PACKING
67.000.022	90° RIGHT ANGLE	1/8"	1000		BLISTER
67.000.013	4-JAW	1/8"	3000	6000	BLISTER
67.000.026	HD 4-JAW	1/8"	4000	10000	BLISTER

GREASE GUN HOSES

FLEXIBLE HOSES ALLOW FOR USE IN HARD TO REACH AREAS. FITS MOST GREASE GUNS.



PART #	SIZE	TYPE	NPT (M)	WORKING PSI	BURST PSI	PACKING
67.000.027	12"	STANDARD	1/8"	3000	10000	POLY BAG
67.000.028	18"	STANDARD	1/8"	3000	10000	POLY BAG
67.000.010	12"	W/COUPLER & SPRING	1/8"	4500	10000	POLY BAG
67.000.011	18"	W/COUPLER & SPRING	1/8"	4500	10000	POLY BAG

NEEDLE NOSE ADAPTERS

FOR USE IN HARD TO REACH AREAS, SUCH AS CV JOINTS / U-JOINTS. FITS MOST GREASE GUNS.



PART #	SIZE	NPT (F)	PSI	PACKING
67.000.021	1-1/2"	1/8"	3000	BLISTER

GREASE INJECTOR NEEDLES

STAINLESS STEEL W/ PROTECTIVE COVERS. GREAT FOR SEALED BEARINGS & JOINTS. USE ONLY WITH HAND GREASE GUNS.



PART #	GAUGE	LENGTH	PACK QUANTITY	PACKING
67.000.024	18GA	1-1/2"	1	BLISTER
67.000.023	18GA	1-1/2"	3	BLISTER
67.000.025	18GA / 21GA	1-1/2"	2	BLISTER

SAE GREASE FITTINGS

LEAK PROOF, CORROSION RESISTANT FITTINGS HAVE BEEN TESTED UP TO 8000 PSI. DESCRIPTIVE RETAIL PACKAGING.



PART #	THREAD SIZE	TYPE	PACK QUANTITY	PACKING
67.700.030	1/8" NPT	STRAIGHT	10	CLAMSHELL
67.700.039	1/8" NPT	45°	5	CLAMSHELL
67.700.037	1/8" NPT	90°	6	CLAMSHELL
67.700.031	1/4" - 28	STRAIGHT	10	CLAMSHELL
67.700.040	1/4" - 28 LONG	STRAIGHT	10	CLAMSHELL
67.700.038	1/4" NPT	STRAIGHT	5	CLAMSHELL
67.700.032	1/4" - 28 TAPER	45°	5	CLAMSHELL
67.700.033	1/4" - 28 TAPER	90°	5	CLAMSHELL
67.700.041	5/16" - 24	STRAIGHT	5	CLAMSHELL
67.700.042	3/8" - 24	STRAIGHT	5	CLAMSHELL

METRIC GREASE FITTINGS

LEAK PROOF, CORROSION RESISTANT FITTINGS HAVE BEEN TESTED UP TO 8000 PSI. DESCRIPTIVE RETAIL PACKAGING.



PART #	THREAD SIZE	TYPE	PACK QUANTITY	PACKING
67.700.036	6MM	STRAIGHT	5	CLAMSHELL
67.700.034	6MM	45°	5	CLAMSHELL
67.700.035	6MM	90°	5	CLAMSHELL
67.700.043	8MM	STRAIGHT	5	CLAMSHELL
67.700.044	8MM	45°	5	CLAMSHELL
67.700.045	8MM	90°	6	CLAMSHELL
67.700.046	10MM	STRAIGHT	5	CLAMSHELL
67.700.047	10MM	45°	5	CLAMSHELL
67.700.048	10MM	90°	5	CLAMSHELL

DRIVE IN GREASE FITTINGS

LEAK PROOF, CORROSION RESISTANT FITTINGS HAVE BEEN TESTED UP TO 8000 PSI. DESCRIPTIVE RETAIL PACKAGING.



PART #	DRILL SIZE	TYPE	PACK QUANTITY	PACKING
67.700.050	3/16"	STRAIGHT	5	CLAMSHELL
67.700.052	1/4"	STRAIGHT	5	CLAMSHELL
67.700.051	5/16"	STRAIGHT	5	CLAMSHELL
67.700.053	3/8"	STRAIGHT	5	CLAMSHELL

GREASE FITTING ASSORTMENTS

SAE, METRIC & DRIVE IN ASSORTMENTS IN REUSABLE CASES. FIND KIT CONTENTS ON PAGES 189-190.



PART #	SIZING TYPE	RANGE	PACK QUANTITY	PACKING
67.700.304	SAE	1/8" - 1/4"	40	SMALL CASE W/TAB
67.100.100	SAE	1/8" - 1/4"	100	LARGE CASE W/TAB
67.100.110	SAE	1/8" - 1/4"	110	LARGE CASE W/TAB
67.700.314	METRIC	6MM - 10MM	50	SMALL CASE W/TAB
67.444.110	METRIC	6MM - 10MM	110	LARGE CASE W/TAB
67.700.315	DRIVE IN	3/16" - 3/8"	50	SMALL CASE W/TAB



OILERS GREASE FITTING ASSORTMENTS

STEEL BODY OILERS OFFERED IN RED OR BLUE.

PART #	TRIGGER TYPE	CAPACITY	SPOUT	COLOUR
67.700.320	THUMB	200 ML	RIGID & FLEX	RED
67.700.330	THUMB	300 ML	RIGID & FLEX	RED
67.700.350	THUMB	500 ML	RIGID & FLEX	RED
67.700.100	THUMB	300 ML	RIGID & FLEX	BLUE
67.700.107	THUMB	500 ML	RIGID & FLEX	BLUE
67.700.124	THUMB	700 ML	RIGID & FLEX	BLUE

LOCKABLE DRUM FUNNEL

FIT ALL 2" DRUM BUNG HOLES. INCLUDES LOCKABLE LID DESIGN FOR EXTRA SECURITY & SCREEN. CHEMICAL RESISTANT POLYETHYLENE MATERIAL



PART #	CAPACITY	TOP DIAMETER	OVERALL HEIGHT	SPOUT LENGTH	SPOUT DIAMETER
B1509	4 QUART	9-1/2"	8-1/2"	1-1/4"	1-1/2"

HEAVY DUTY FUNNELS

INCLUDES HANG TAB FOR CONVENIENT STORAGE, AND SCREEN FILTER. CHEMICAL RESISTANT POLYETHYLENE MATERIAL.



PART #	CAPACITY	TOP DIAMETER	OVERALL HEIGHT	SPOUT LENGTH	SPOUT DIAMETER
B1503	1 PINT	4-1/2"	6"	2-1/4"	1/2"
B1501	2 QUART	6-1/2"	8-1/2"	2-3/8"	1-1/16"
B1502	6 QUART	8-1/2"	10-1/2"	1-5/8"	1-5/16"

CAPPED, DIRT FREE FUNNELS

FEATURES FLEXIBLE SPOUTS, CARRY HANDLE AND SCREEN FILTERS. INCLUDES CAPS FOR TOP AND SPOUT. CHEMICAL RESISTANT POLYETHYLENE MATERIAL.



PART #	CAPACITY	TOP DIAMETER	OVERALL HEIGHT	SPOUT DIAMETER	COLOUR
B1504	1 PINT	3"	9-1/2"	1/2"	ORANGE
B1505	1-1/4 QUART	4"	10-1/2"	5/8"	BLUE
B1507	1-1/2 QUART	4"	13-1/4"	1-1/8"	GREEN
B1506	1-1/2 QUART	4"	17"	5/8"	RED



PLASTIC ROTARY BARREL PUMP

PART# 67.501.250

- Designed for use with acids, alkalis, gas, diesel, machine oil, water, alcohol, thinners and petroleum based products
- Fits 55 gallon drums; Ryton and Teflon seals
- Delivers 7 gallons per 100 revolutions

**ROTARY HEAD PUMP**

PART# 67.500.250

- Cast iron body
- Fits 5 to 55 gallon drums
- Designed for use with non-corrosive based fluids of light to medium viscosity

**NOT EXACTLY
AS SHOWN****5 GALLON DRUM PUMP**

PART# 67.500.500

- Pumps heavy gear oils.
- Extra long 58" outlet hose.
- Anti drip nozzle.

**BARREL PUMP**

PART# 67.502.250

- 1-1/2" and 2" bung for use on drums with either openings
- For use with oil-based fluids
- Dispenses 10 ounces per stroke
- Fits 15 gallon through 55 gallon drum sizes

**55 GALLON HAND OPERATED PUMP**

PART# 67.500.550

- Designed for use with acids, alkalis, gas, diesel, machine oil, water, alcohol, thinners and petroleum based products
- Fits 55 gallon drums; Ryton and Teflon seals
- Delivers 7 gallons per 100 revolutions



AIR GREASE LUBRICATORS

**AIR GREASE LUBRICATOR
5 GALLONS
PRESSURE RATIO 50 : 1
PART# 5705AGD**



**GREASE DISPENSER VALVE
PART# 57GUNAGD**



- Squeeze handle develops to 8700 PSI
- 1/4" swivel inlet
- Rigid spout

**AIR GREASE LUBRICATOR
15 GALLONS
PRESSURE RATIO 55 : 1
PART# 5715AGD**



- All include a 50ft hose, air regulator and grease valve
- Working pressure 70-115 PSI

**AIR GREASE LUBRICATOR
55 GALLONS
PRESSURE RATIO 55 : 1
PART# 5755AGD**



**MOBILE OIL DISPENSER
5 GALLONS
PRESSURE RATIO 3 : 1
PART# 5710MOD**



- Can be used with engine oil, ATF oil, hydraulic oil, automatic transmission oil, anti-freeze, and allie products
- Working pressure 70-115 PSI, max free flow rate 4g/min
- LCD control valve shows flows in gallons or litres
- All kits include 50ft hose & air regulator

**MOBILE OIL DISPENSER
15 GALLONS
PRESSURE RATIO 5 : 1
PART# 5715MOD**



**50' GREASE HOSE
PART# 57HOSEAGD**



**16' GREASE HOSE
PART# 58HOSEAGD**

- Replacement hose for mobile oil dispensers
- 1/2" fittings
- 3190 PSI rating

**MOBILE AIR OPERATED OIL DISPENSER
FOR 48-55 GALLON DRUMS
PRESSURE REGULATOR WITH GAUGE
PART# 21.500.202**



- Includes 50 ft oil dispensing hose on a heavy duty auto retracting hose reel

**MOBILE AIR OPERATED OIL DISPENSER
FOR 48-55 GALLON DRUMS
PRESSURE REGULATOR WITH GAUGE
PART# 21.500.200**



- Includes 16 ft oil dispensing hose

**PULSATION DAMPENERS
PART# 21.700.008**



**OIL PUMP
PART# 21.700.006**



**DIGITAL OIL VALVE
PART# 21.700.005**



**50FT REEL WITH HOSE
PART# 21.700.002**



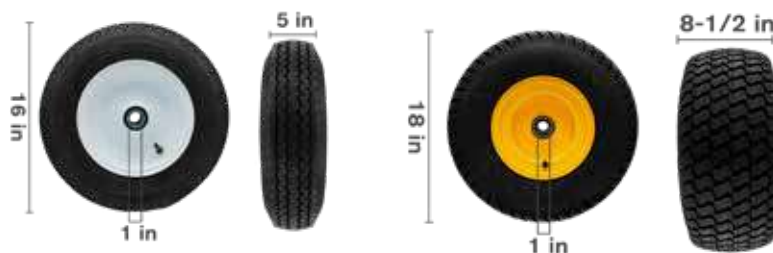
WHEEL ASSEMBLIES



PART#	51.435.006	51.435.007	51.435.008
DESCRIPTION	6" RUBBER, SEMI PNEUMATIC	7" RUBBER, SEMI PNEUMATIC	8" RUBBER, SEMI PNEUMATIC
RIM/HUB	PLASTIC	PLASTIC	PLASTIC
BUSHING (AXLE)	PLASTIC (1/2")	PLASTIC (1/2")	PLASTIC (1/2")
LOAD CAPACITY	65 LBS	65 LBS	110 LBS
CASE QTY	10	10	10
TREAD TYPE			



PART#	51.440.006	51.440.007	51.440.008
DESCRIPTION	6" RUBBER, SEMI PNEUMATIC	7" RUBBER, SEMI PNEUMATIC	8" RUBBER, SEMI PNEUMATIC
RIM/HUB	STEEL	STEEL	STEEL
BUSHING (AXLE)	PLATED STEEL (1/2"), BALL BEARING	PLATED STEEL (1/2"), BALL BEARING	PLATED STEEL (1/2"), BALL BEARING
LOAD CAPACITY	110 LBS	110 LBS	175 LBS
CASE QTY	10	10	10
TREAD TYPE			



PART#	LSTL57	51.180.800
DESCRIPTION	16" RUBBER	18" RUBBER
RIM/HUB	STEEL	STEEL
BUSHING (AXLE)	PLATED STEEL (3/4"), BALL BEARING	PLATED STEEL (1"), BALL BEARING
LOAD CAPACITY	330 LBS	500 LBS
CASE QTY	5	2
TREAD TYPE		



PART#	51.500.850	51.500.850F	51.501.000
DESCRIPTION	8-1/2" RUBBER, PNEUMATIC	8-1/2" RUBBER, PNEUMATIC	10" RUBBER, PNEUMATIC
RIM/HUB	STEEL	STEEL	STEEL
BUSHING (AXLE)	PLATED STEEL (5/8"), BALL BEARING	PLATED STEEL (5/8"), BALL BEARING	PLATED STEEL (5/8"), BALL BEARING
LOAD CAPACITY	220 LBS	220 LBS	285 LBS
CASE QTY	10	10	10
TREAD TYPE			



PART#	85.660.004	85.660.004BF	85.660.004YF
DESCRIPTION	10" RUBBER	10" RUBBER	10" RUBBER
RIM/HUB	STEEL	STEEL	STEEL
BUSHING (AXLE)	PLATED STEEL (5/8"), BALL BEARING	PLATED STEEL (5/8"), BALL BEARING	PLATED STEEL (5/8"), BALL BEARING
LOAD CAPACITY	285 LBS	285 LBS	285 LBS
CASE QTY	10	10	10
TREAD TYPE			

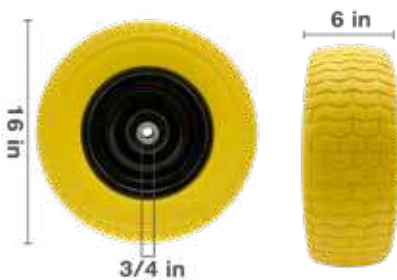


PART#	85.660.006BF	51.501.300	51.501.300F
DESCRIPTION	13" RUBBER	13" RUBBER	13" RUBBER
RIM/HUB	STEEL	STEEL	STEEL
BUSHING (AXLE)	PLATED STEEL (3/4"), BALL BEARING	PLATED STEEL (3/4"), BALL BEARING	PLATED STEEL (3/4"), BALL BEARING
LOAD CAPACITY	330 LBS	330 LBS	330 LBS
CASE QTY	10	10	10
TREAD TYPE			

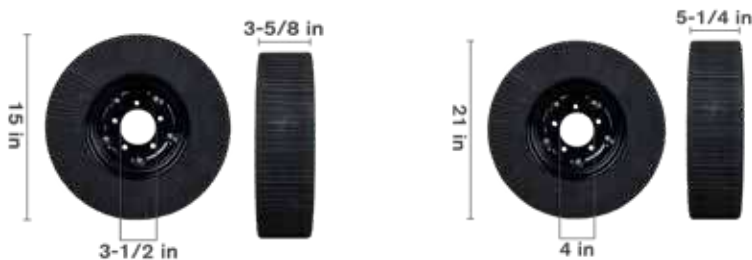
WHEEL ASSEMBLIES



PART#	51.484.008	51.450.016	51.450.016Y
DESCRIPTION	16" RUBBER	16" RUBBER	16" RUBBER
RIM/HUB	STEEL	STEEL	STEEL
BUSHING (AXLE)	PLATED STEEL (3/4"), BALL BEARING	PLATED STEEL (3/4"), BALL BEARING	PLATED STEEL (3/4"), BALL BEARING
LOAD CAPACITY	330 LBS	330 LBS	330 LBS
CASE QTY	5	5	5
TREAD TYPE			



PART#	51.160.600
DESCRIPTION	16" RUBBER
RIM/HUB	STEEL
BUSHING (AXLE)	PLATED STEEL (3/4"), BALL BEARING
LOAD CAPACITY	330 LBS
CASE QTY	5
TREAD TYPE	



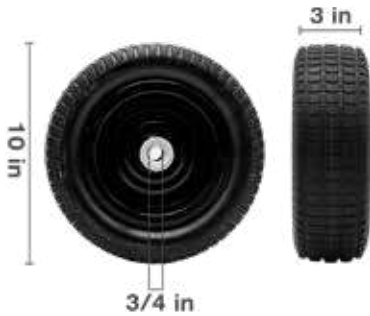
PART#	RC20G	294BE
DESCRIPTION	15" LAMINATED	21" LAMINATED
RIM/HUB	STEEL	STEEL
BUSHING (AXLE)	PLATED STEEL (3-1/2")	PLATED STEEL (4")
LOAD CAPACITY	330 LBS	500 LBS
CASE QTY	5	2
TREAD TYPE		

PRESSURE WASHER



PART#	85.660.032	85.660.020F	85.660.050BF
DESCRIPTION	10" RUBBER	13" RUBBER	12" RUBBER
RIM/HUB	STEEL	STEEL	STEEL
BUSHING (AXLE)	PLATED STEEL (3/4"), BALL BEARING	PLATED STEEL (3/4"), BALL BEARING	PLASTIC (3/4")
LOAD CAPACITY	150 LBS	150 LBS	150 LBS
CASE QTY	8	8	8
TREAD TYPE			

PRESSURE WASHER



PART#	51.000.018F
DESCRIPTION	10" RUBBER
RIM/HUB	STEEL
BUSHING (AXLE)	STEEL (3/4")
LOAD CAPACITY	400 LBS
CASE QTY	8
TREAD TYPE	

WHEEL ASSEMBLIES

RIGID TOP PLATE CASTER
PLASTIC WHEEL
METAL GALVANIZED FRAME
 PART# 51.310.150
 STARTING AT:



PART# 51.310.800



PART#	SIZE	LOAD CAPACITY	CASE QTY
51.310.150	1-1/2"	65 LBS	25
51.310.200	2"	110 LBS	25
51.310.250	2-1/2"	175 LBS	25
51.310.300	3"	220 LBS	25
51.310.400	4"	285 LBS	25
51.310.500	5"	485 LBS	2
51.310.600	6"	550 LBS	2
51.310.800	8"	660 LBS	2

SWIVEL CASTER
PLASTIC WHEEL
METAL GALVANIZED FRAME
 PART# 51.320.150
 STARTING AT:



PART# 51.320.800



PART#	SIZE	LOAD CAPACITY	CASE QTY
51.320.150	1-1/2"	65 LBS	25
51.320.200	2"	110 LBS	25
51.320.250	2-1/2"	175 LBS	25
51.320.300	3"	220 LBS	25
51.320.400	4"	285 LBS	25
51.320.500	5"	485 LBS	2
51.320.600	6"	550 LBS	2
51.320.800	8"	660 LBS	2

SWIVEL WITH SIDE LOCKING BRAKE CASTER
PLASTIC WHEEL
METAL GALVANIZED FRAME
 PART# 51.330.150
 STARTING AT:



PART# 51.330.800



PART#	SIZE	LOAD CAPACITY	CASE QTY
51.330.150	1-1/2"	65 LBS	25
51.330.200	2"	110 LBS	25
51.330.250	2-1/2"	175 LBS	25
51.330.300	3"	220 LBS	25
51.330.400	4"	285 LBS	25
51.330.500	5"	485 LBS	2
51.330.600	6"	550 LBS	2
51.330.800	8"	660 LBS	2

FLAT FREE FOAM CASTER
METAL GALVANIZED FRAME
 PART# 51.350.120
 STARTING AT:



PART# 51.350.130



PART#	SIZE	LOAD CAPACITY	CASE QTY
51.350.120	10"	400 LBS	1
51.350.130	10"	400 LBS	1

TOWELS
SHOP BUCKET REFILL
PART# B55207



ORDER MULTIPLES OF 6

TOWELS
SHOP BUCKET REFILL
PART# B55208



ORDER MULTIPLES OF 2

SHOP TOWELS, HD
(55 TOWEL BOX)
PART# B5440030



ORDER MULTIPLES OF 30

SHOP TOWELS, HD
(55 TOWEL BOX)
PART# B5440012



ORDER MULTIPLES OF 12

SHOP TOWELS, HD
PART# B5025001



ORDER MULTIPLES OF 8

SHOP TOWELS, HD
(200 TOWEL BOX)
PART# B5520201



ORDER MULTIPLES OF 6

PAD, SINGLE OIL ONLY
16" X 20" X 3/16"
PART# B1450



200 PADS / BOX

PAD, OIL ONLY, HD
16" X 20 X 3/8"
PART# B1475



100 PADS / BOX

DRUM TOPPER
UNIVERSAL 2" & 3/4"
OPENINGS
PART# B1488



10 PADS / BOX

PAD
15" X 18" UNIVERSAL
SORBENT
PART# B1400



100 PADS / BOX

SOCK, UNIVERSAL
CHEMSORB 3" X 48"
PART# B1405



40 SOCKS / CASE

SOCK
OIL ONLY 3" X 48"
PART# B1495



40 SOCKS / CASE

SHOP SUPPLIES - HAND CLEANERS

HAND CLEANER
1 GAL, CITRUS
PART# B27128



ORDER MULTIPLES OF 4

HAND CLEANER
1 GAL, PUMICE CITRUS
PART# B28128

HD HAND CLEANER
1 GAL, PUMICE
PART# B28128HD

HAND CLEANER
15 OZ, CITRUS
PART# B27015



ORDER MULTIPLES OF 12

HAND CLEANER
GEL 15 OZ, PUMICE CITRUS
PART# B28015



ORDER MULTIPLES OF 12

HAND CLEANER NUT SHELL
4L/GAL, 7.3 OZ PUMICE
PART# B29129NUT



ORDER MULTIPLES OF 4

HAND CLEANER NUT SHELL
4L/GAL, 7.3 OZ PUMICE
PART# B29130CP

HAND CLEANER NUT SHELL
4L/GAL, 7.3 OZ PUMICE
PART# B29131HD

HAND SCRUBBER WIPES
90 COUNT
PART# B27290



ORDER MULTIPLES OF 6

DISINFECTANT WIPES
80 COUNT
PART# B27291



HAND CLEANER WALL MOUNT DISPENSER
4L/GAL, 7.3 OZ PUMICE
PART# B28045B



HAND CLEANER WALL MOUNT DISPENSER
4L/GAL, 7.3 OZ PUMICE
PART# B28128SBR



HAND CLEANER GEL, 4.5 OZ, PUMICE
PART# B28014

HAND CLEANER GEL, 4.5 LB PUMICE
PART# B28045



ORDER MULTIPLES OF 12

ORDER MULTIPLES OF 6

STANDARD YELLOW TRAFFIC VEST

PART# B2700

 AVAILABLE ONLY IN US



PREMIUM YELLOW MESH TRAFFIC VEST

LARGE SIZE: PART# B2710L

X-LARGE SIZE: PART# B2710XL

 AVAILABLE ONLY IN US



SURVEYORS SAFETY VEST

LARGE SIZE: PART# B2820L

X-LARGE SIZE: PART# B2820XL

 AVAILABLE ONLY IN US



STANDARD YELLOW TRAFFIC VEST

PART# B2800

 AVAILABLE ONLY IN CANADA



PREMIUM YELLOW MESH TRAFFIC VEST

LARGE SIZE: PART# B2810L

X-LARGE SIZE: PART# B2810XL

 AVAILABLE ONLY IN CANADA



SURVEYORS SAFETY VEST

LARGE SIZE: PART# B2720L

X-LARGE SIZE: PART# B2720XL

 AVAILABLE ONLY IN CANADA



GLOVES

LARGE GLOVES, LEATHER PALM

PART# 67.999.100



SAFETY GLASSES

CLEAR LENS, CLEAR FRAME

PART# 1209C



- Economic eyewear, ideal for service centers, repair shops, farms & other such applications
- Meets ANSI safety ratings

ORDER IN MULTIPLES OF 20

SAFETY GLASSES

MIRROR LENS, BLACK FRAME

PART# 1209B



- Economic eyewear, tinted to reduce eyestrain in bright conditions, 99% UV protection
- Ideal for outdoor farm & industrial activities
- Meets ANSI safety ratings

ORDER IN MULTIPLES OF 20

SAFETY GLASSES

CLEAR LENS, BLACK FRAME

PART# 1204C



- Economic stylized eyewear with soft flex ear pieces
- Ideal for service centers, repair shops, farms & other such applications
- Meets ANSI safety ratings

ORDER IN MULTIPLES OF 20

SAFETY GLASSES

MIRROR LENS, BLACK FRAME

PART# 1204M



- Economic stylized eyewear with soft flex ear pieces
- Tinted to reduce eyestrain in bright conditions, 99% UV protection
- Ideal for outdoor farm & industrial applications
- Meets ANSI safety ratings

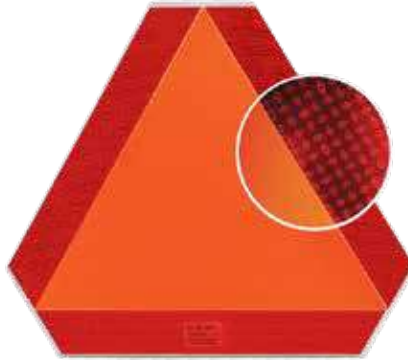
ORDER IN MULTIPLES OF 20

VEHICLE SAFETY SIGNS

SLOW MOVING VEHICLE SIGNS
PART# 67.003.020 (THICK PLASTIC)



SLOW MOVING VEHICLE SIGNS
PART# 67.003.010 (ALUMINUM)



SLOW MOVING VEHICLE SIGNS
PART# 67.003.030 (DECAL)



- SMV emblems required for slow moving vehicles on public roads
- Ideal for tractors, combines, plows, tow motors, mowing crews, & other vehicles
- ASAE (S276.6) approved & State of Illinois compliant
- Made with high-intensity, micro-prismatic reflective and fluorescent materials
- Convenient hardware kit available for mounting rigid signs on your equipment.

**ASAE S26.8
COMPLIANT
MATERIAL**

**HARDWARE KIT
FOR ALUMINUM &
PLASTIC**
PART# 67.003.040



**SINGLE DISPLAY RACK
INCLUDES POP CARD**
PART# 67.900.107



TRAFFIC PYLON, 18"
SINGLE REFLECTIVE TAPE
PART# 67.003.101



TRAFFIC PLYON, 28"
DUAL REFLECTIVE
PART# 67.003.107

TRAFFIC PLYON, 36"
DUAL REFLECTIVE
PART# 67.003.108



COLLAPSIBLE TRAFFIC PYLON WITH LIGHT
PART# 67.003.102



DELINEATOR POST AND BASE, 42"
DUAL REFLECTIVE
PART# 67.003.100



TRAFFIC POST, 48" REBOUNDABLE
TRIPLE REFLECTIVE
PART# 67.003.105



ROADSIDE SAFETY TRIANGLE KIT
PART# 67.003.106



ROADSIDE SAFETY TRIANGLE KIT
3 PACK
PART# 67.003.306



WHEEL CHOCK, 4KG
SOLID RUBBER
PART# 67.003.103



TELESCOPING TRAFFIC PYLON BAR /
YELLOW BACK & 2 METER EXTENDED
2 METER BAR
PART# 67.003.104



CABLE TIES

BLACK CABLE TIES

- Indoor/Outdoor RATED
- Material: UV Black Nylon
- Max Operating Temperature: 85°C / 185°F
- Min Operating Temperature: -40°C / -40°F
- Min Installation Temperature: 0°C / 32°F



TENSILE STRENGTH



PART#	LENGTH	CABLE TIE WIDTH	CABLE TIE THICKNESS	TENSILE STRENGTH	PACK QTY (PCS)	CASE QUANTITY
67.100.418B	4"	.10"	.04"	18 LBS	100	500 PACKS
67.106.018B	6"				100	400 PACKS
67.506.018B	6"				500	80 PACKS
67.108.050B	8"	.19"	.05"	50 LBS	100	100 PACKS
67.508.050B	8"				500	20 PACKS
67.110.050B	10"				100	100 PACKS
67.510.050B	10"				500	20 PACKS
67.112.050B	12"				100	100 PACKS
67.512.050B	12"				500	20 PACKS
67.016.050B	16"	.35"	.07"	175 LBS	25	200 PACKS
67.116.050B	16"				100	50 PACKS
67.018.050B	18"				25	200 PACKS
67.118.050B	18"				100	50 PACKS
67.024.175B	24"				25	60 PACKS
67.036.175B	36"				25	40 PACKS

WHITE CABLE TIES

- indoor RATED
- Material: NATURAL WHITE Nylon
- Max Operating Temperature: 85°C / 185°F
- Min Operating Temperature: -40°C / -40°F
- Min Installation Temperature: 0°C / 32°F



TENSILE STRENGTH



PART#	LENGTH	CABLE TIE WIDTH	CABLE TIE THICKNESS	TENSILE STRENGTH	PACK QTY (PCS)	CASE QUANTITY
67.100.418W	4"	.10"	.04"	18 LBS	100	500 PACKS
67.106.018W	6"				100	400 PACKS
67.108.050W	8"				100	100 PACKS
67.110.050W	10"	.19"	.05"	50 LBS	100	100 PACKS
67.112.050W	12"				100	100 PACKS
67.016.050W	16"				25	200 PACKS
67.018.050W	18"				25	200 PACKS
67.024.175W	24"				25	60 PACKS
67.036.175W	36"				25	40 PACKS

DIGITAL CALIPER 6"

PART# 76.150.000

- 150mm / 6 Inch Measurement Scale
- Stainless Steel,
- Includes Protective Case

**AIR BLOW GUN**

PART# 67.000.582

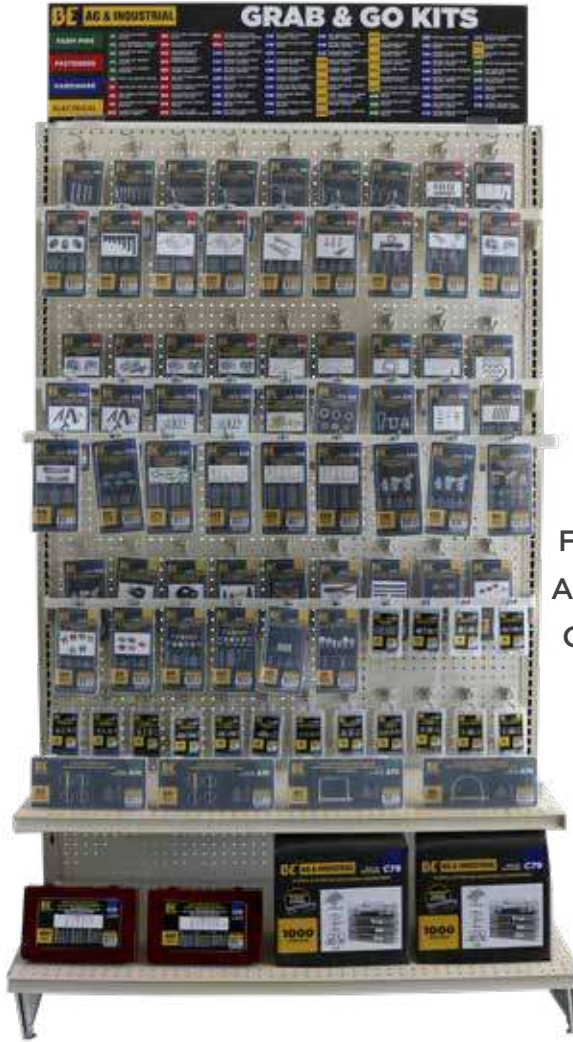
**AIR STORAGE TANK****7 GALLON**

PART# 67.000.700



**COMPLETE WITH HOSE, AIR CHUCK, BLOW GUN,
PRESSURE GAUGE, & RELIEF VALVE.**

KIT DISPLAY
PART# POP-KIT4



BE'S NEW RANGE OF GRAB N' GO HARDWARE KITS

WILL HAVE YOU COVERED FROM A TO Z FOR ANY TASK. WITH ALMOST **30 NEW KITS** ADDED TO THE RANGE, WE NOW OFFER ONE OF THE MOST COMPREHENSIVE RANGES OF ASSORTMENT KITS ON THE MARKET, COVERING CATEGORIES FROM **FARM HARDWARE TO ELECTRICAL, AND FASTENERS TO GENERAL HARDWARE.**

ENSURE YOU'RE READY FOR THE JOB AT HAND WITH BE'S GRAB N' GO KITS

O-RING, COTTER AND ROLL PIN ASSORTMENT

- Metal storage rack is mountable
- Includes 3 parts trays filled with 1000 popular components
- Extra storage case with handle included for on-the-go jobs
- Large popular variety of springs, cotter pins and roll pins

PART# 67.111.000



1000 PCS

1/16" X 1" 60PC 3/32" X 1" 40PC	3/32" X 1 1/2" 35PC 1/8" X 1 1/4" 35PC	1/8" X 2" 16PC 5/32" X 2 1/2" 14PC	3/16" X 3" 5PC 1/4" X 2" 5PC	1/4" X 3" 5PC 5/16" X 2 1/2" 5PC
--	---	---	---	---

7/32" X 1 1/2" 20PC 3/8" X 3/4" 20PC	5/16" X 1 1/8" 20PC 3/16" X 1 3/4" 20PC	23/64" X 1 3/8" 20PC 11/32" X 1 7/16" 20PC	7/32" X 1" 30PC 1/4" X 7/8" 30PC	9/32" X 1 1/2" 30PC 7/32" X 1 1/16" 30PC	9/32" X 2" 20PC 5/16" X 1 3/4" 20PC	5/32" X 3 1/8" 20PC
---	--	---	---	---	--	----------------------------

3/32" X 15/64" 10PC	7/32" X 1 1/32" 15PC	5/8" X 3/4" 10PC	9/16" X 3/4" 10PC	3/4" X 1" 10PC	3MM X 1.5MM 10PC	10MM X 1.5MM 15PC	13MM X 2.5MM 10PC	19MM X 2.5MM 10PC	20MM X 3.5MM 10PC
1/8" X 1/4" 20PC	1/4" X 3/8" 15PC	3/8" X 9/16" 10PC	5/8" X 13/16" 10PC	15/16" X 1 1/16" 10PC	4.4MM X 2MM 20PC	12MM X 1.5MM 15PC	14MM X 2.5MM 10PC	21MM X 2.5MM 10PC	22MM X 3.5MM 10PC
5/32" X 9/32" 20PC	5/16" X 7/16" 15PC	7/16" X 5/8" 10PC	1 1/16" X 7/8" 10PC	7/8" X 1 1/8" 10PC	5MM X 2MM 20PC	10MM X 2.5MM 15PC	16MM X 2.5MM 10PC	22MM X 2.5MM 10PC	23.5MM X 3.5MM 5PC
3/16" X 5/16" 20PC	3/8" 1/2" 10PC	1/2" X 1 1/16" 10PC	3/4" X 15/16" 10PC	15/16" X 1 3/16" 10PC	7MM X 1.5MM 20PC	11MM X 2.5MM 10PC	18MM X 2.5MM 10PC	18MM X 3.5MM 10PC	25MM X 3.5MM 5PC

HARDWARE

FARM PINS

CLEVIS PINS - SAE

- Constructed of clear zinc plated steel
- Rust and corrosion resistant

PART# 67.000.060

60
PCS



5/32" HOLE 1/2" X 1-1/2" 1/2" X 2"	5/32" HOLE 3/8" X 1" 3/8" X 1-1/2" 3/8" X 2"	1/8" HOLE 5/16" X 2" 5/16" X 2-1/4" 5/16" X 2-1/2" 5/16" X 2-3/4"	1/8" HOLE 5/16" X 1" 5/16" X 1-1/4" 5/16" X 1-1/2" 5/16" X 1-3/4"	3/32" HOLE 1/4" X 1-3/4" 1/4" X 2" 1/4" X 2-1/2"	3/32" HOLE 3/16" X 1" 1/4" X 1-1/4" 1/4" X 1-1/2"
4PC	9PC	7PC	13PC	12PC	15PC

FARM PINS

UNIVERSAL CLEVIS PINS - SAE

- Clear zinc plated steel / corrosion resistant
- Includes hair pin clips

PART# 67.999.071

71
PCS



5/64" X 1-5/16"	7/16" X 1-5/8"	3/8" X 2"	7/16" X 2-1/2"	5/16" X 2"
7PC	20PC			5PC
5/64" X 1-9/16"	9/64" X 1-3/4"	1/2" X 2"	1/4" X 2-1/2"	1/2" X 2"
7PC	6PC	18PC	5PC	3PC

FARM PINS

COTTER PINS - METRIC

- Constructed of clear zinc plated steel
- Rust and corrosion resistant

PART# 67.100.555

555
PCS



1.6 X 25MM	2.4 X 38MM	3.2 X 51MM	2.4 X 25MM	3.2 X 32MM	4.0 X 64MM
150PC	100PC	50PC	150PC	75PC	30PC

FARM PINS

COTTER PINS - SAE

- Constructed of clear zinc plated steel
- Rust and corrosion resistant

PART# 67.101.000

1000
PCS



1/16" X 1"	3/32" X 1"	3/32" X 1-1/2"	1/8" X 1-1/4"	1/8" X 2"	5/32" X 2-1/2"
380PC	240PC	140PC	115PC	75PC	50PC

FARM PINS

LARGE COTTER PINS - METRIC

- Constructed of clear zinc plated steel
- Rust and corrosion resistant

PART# 67.100.144

144
PCS



3.1 X 50MM	4.0 X 63MM	4.8 X 75MM	6.4 X 50MM	6.4 X 75MM	8.0 X 63MM
50PC	30PC	20PC	20PC	16PC	8PC

ASSORTED KITS

FARM PINS

HAIR PINS - SAE

- Constructed of clear zinc plated steel
- Rust and corrosion resistant

PART# 67.100.150

150
PCS



3/32" X 1-3/16"	5/64" X 1-5/16"	5/64" X 1-9/16"	7/64" X 1-5/8"	9/64" X 1-3/4"	5/32" X 2-5/8"
42PC	30PC	25PC	25PC	20PC	8PC

FARM PINS

LYNCH PINS - SAE

- Yellow zinc plated steel/corrosion resistant
- Four popular sizes for many applications

PART# 67.700.200

50
PCS



1/4" X 1-3/4"	3/16" X 1-7/16"	5/16" X 1-3/4"	7/16" X 1-3/4"
18PC	16PC	6PC	10PC

FARM PINS

LYNCH PINS & HAIR PINS - SAE

- Zinc plated steel for corrosion resistance
- Most popular sizes of lynch pin and hair pins

PART# 67.700.700

70
PCS



5/32" X 2-15/16" 15 PC	7/16" X 1-1/4" 25 PC
1/8" X 1-15/16" 15 PC	
3/32" X 1-5/8" 15 PC	

FARM PINS

SQUARE PTO LOCK PINS - SAE

- Zinc plated steel for corrosion resistance
- Four popular sizes for many applications

PART# 67.700.220

20
PCS



1/4" X 2 1/2" 1/4" X 2-1/2"	3/8" X 2 1/4" 3/8" X 2-1/4"	5/16" X 2 1/4" 5/16" X 2-1/4"
5PC	5PC	10PC

FARM PINS

ROUND PTO LOCK PINS - SAE

- Yellow zinc plated steel / corrosion resistant
- Four popular sizes for many applications

PART# 67.701.220

20
PCS



1/4" X 1-3/4"	3/8" X 2-1/4"	5/16" X 2-1/4"
5PC	5PC	10PC

ASSORTED KITS

FASTENERS

HEX HEAD SET SCREWS - SAE

- High quality grade 12.9 Screws in fine & course thread
- Black oxide finish steel for corrosion resistance

PART# 67.984.450

200
PCS



5/32" - 32 X 3/16" 10PC	3/8" - 24 X 3/8" FINE THREAD 10PC	5/16" - 24 X 3/8" FINE THREAD 20PC	5/16" - 18 X 3/8" 30PC	3/8" - 16 X 3/8" 10PC	5/16" - 18 X 1/2" 20PC
1/8" - 40 X 3/16" 10PC	3/16" - 24 X 1/4" 10PC	1/4" - 28 X 1/4" FINE THREAD 20PC	1/4" - 20 X 1/4" 30PC	3/8" - 16 X 1/2" 10PC	1/4" - 20 X 3/8" 20PC

FASTENERS

HEX HEAD SET SCREWS - METRIC

- High quality grade 12.9 Screws in fine & course thread
- Black oxide finish steel for corrosion resistance

PART# 67.984.460

200
PCS



M4 X 5 10PC	M10 X 10 FINE THREAD 10PC	M8 X 10 FINE THREAD 20PC	M8 X 10 30PC	M10 X 10 10PC	M8 X 12 20PC
M3 X 5 10PC	M5 X 6 10PC	M6 X 6 FINE THREAD 20PC	M6 X 6 30PC	M10 X 12 10PC	M6 X 10 20PC

FASTENERS

HEX HEAD CAP SCREWS - SAE

- High quality carbon steel screws in most popular sizes
- Black oxide finish steel for corrosion resistance

PART# 67.100.106

106
PCS



#8 - 32 X 1/2" 25PC	#10 - 24 X 1/2" 25PC	#10 - 24 X 1" 20PC	3/8" - 16 X 1-1/2" 3PC	1/4" - 20 X 1" 10PC	5/16" - 18 X 1-1/2" 5PC
			3/8" - 16 X 1" 3PC	1/4" - 20 X 1/2" 10PC	5/16" - 18 X 1" 5PC

FASTENERS

HEX HEAD CAP SCREWS - METRIC

- High quality carbon steel screws in most popular sizes
- Black oxide finish steel for corrosion resistance

PART# 67.444.106

106
PCS



4 X 12MM 25PC	5 X 12MM 25PC	5 X 25MM 20PC	10 X 35MM 3PC	6 X 25MM 10PC	8 X 35MM 5PC
			10 X 25MM 3PC	6 X 12MM 10PC	8 X 25MM 5PC

FASTENERS

NUTS, BOLTS & WASHERS - SAE

- Popular variety of bolts, nuts and washers
- Zinc plated steel for corrosion resistance

PART# 67.100.240

146
PCS



#10 X 1 10PC	#10 X 5/8" #10 10PC 20PC	1/4" X 3/4" 10PC	3/8" X 5/8" 5PC	1/4" X 1-1/4" 5/16" 10PC 20PC	3/8" X 1-1/2" 5PC
#10 20PC	#5/16 10PC	3/8" 10PC	5/16" X 1" 5/16" 5PC 10PC	5/16" X 1-1/2" 5PC	3/8" 10PC
1/4" 20PC	#8 X 3/4" #8 10PC 20PC	#8 X 1/2" #8 10PC 20PC			

ASSORTED KITS

FASTENERS

NUTS, BOLTS & WASHERS - METRIC

- Popular variety of bolts, nuts and washers
- Zinc plated steel for corrosion resistance

PART# 67.444.240

240
PCS



M5 X 25 10PC	M5 X 16 M5 10PC 20PC	M6 X 20 10PC	M10 X 16 5PC	M6 X 30 M6 10PC 20PC	M10 X 40 5PC
M5 20PC	M8 10PC	M10 10PC	M4 X 12 M4 5PC 10PC	M8 X 40 5PC	M10 10PC
M6 20PC	M4 X 20 M4 10PC 20PC	M4 X 12 M4 10PC 20PC			

FASTENERS

NYLON LOCK NUTS - METRIC

- Nylon insert acts as lock washer to secure fastener
- Zinc plated steel for corrosion resistance

PART# 67.444.146

146
PCS



M4 35PC	M5 35PC	M6 25PC	M8 25PC	M10 16PC	M12 10PC
------------	------------	------------	------------	-------------	-------------

FASTENERS

NYLON LOCK NUTS - SAE

- Nylon insert acts as lock washer to secure fastener
- Zinc plated steel for corrosion resistance

PART# 67.000.150

150
PCS



#10-24 25PC	1/4" - 20 35PC	1/4" - 28 25PC	5/16" - 18 30PC	3/8" - 16 25PC	1/2" - 13 10PC
----------------	-------------------	-------------------	--------------------	-------------------	-------------------

FASTENERS

WING NUTS - SAE

- Stamped and machined steel construction
- Zinc plated steel for corrosion resistance

PART# 67.110.150

150
PCS



3/16" - 24 30PC	3/16" - 32 30PC	1/4" - 20 25PC	1/4" - 28 25PC	5/16" - 18 20PC	5/16" - 24 20PC
--------------------	--------------------	-------------------	-------------------	--------------------	--------------------

FASTENERS

FLAT & LOCK WASHERS - SAE

- High quality carbon steel construction
- Zinc plated steel for corrosion resistance

PART# 67.100.350

350
PCS



#6 FLAT WASHER 50PC	#8 FLAT WASHER 40PC	#10 FLAT WASHER 30PC	1/4" FLAT WASHER 25PC	5/16" FLAT WASHER 15PC	3/8" FLAT WASHER 15PC
#6 LOCK WASHER 50PC	#8 LOCK WASHER 40PC	#10 LOCK WASHER 30PC	1/4" LOCK WASHER 25PC	5/16" LOCK WASHER 15PC	3/8" LOCK WASHER 15PC

ASSORTED KITS

FASTENERS

FLAT & LOCK WASHERS - METRIC

- Popular variety of lock, internal & external star washers
- Zinc plated steel for corrosion resistance

PART# 67.444.350



350
PCS

3MM FLAT WASHER	4MM FLAT WASHER	5MM FLAT WASHER	6MM FLAT WASHER	8MM FLAT WASHER	10MM FLAT WASHER
50PC	40PC	30PC	25PC	15PC	15PC
3MM LOCK WASHER	4MM LOCK WASHER	5MM LOCK WASHER	6MM LOCK WASHER	8MM LOCK WASHER	10MM LOCK WASHER
50PC	40PC	30PC	25PC	15PC	15PC

FASTENERS

LOCK WASHER KIT

- High quality alloy steel construction
- Zinc plated steel for corrosion resistance

PART# 67.100.720



720
PCS

#6 SPRING CUSHIONS COUSSINS À RESSORT	#8 SPRING CUSHIONS COUSSINS À RESSORT	#10 SPRING CUSHIONS COUSSINS À RESSORT	1/4" SPRING CUSHIONS COUSSINS À RESSORT	5/16" SPRING CUSHIONS COUSSINS À RESSORT	3/8" SPRING CUSHIONS COUSSINS À RESSORT
50PC	50PC	50PC	40PC	30PC	20PC
#6 EXTERNAL WASHERS RONDELLES EXTERNES	#8 EXTERNAL WASHERS RONDELLES EXTERNES	#10 EXTERNAL WASHERS RONDELLES EXTERNES	1/4" EXTERNAL WASHERS RONDELLES EXTERNES	5/16" EXTERNAL WASHERS RONDELLES EXTERNES	3/8" EXTERNAL WASHERS RONDELLES EXTERNES
50PC	50PC	50PC	40PC	30PC	20PC
#6 INTERNAL WASHERS RONDELLES INTERNES	#8 INTERNAL WASHERS RONDELLES INTERNES	#10 INTERNAL WASHERS RONDELLES INTERNES	1/4" INTERNAL WASHERS RONDELLES INTERNES	5/16" INTERNAL WASHERS RONDELLES INTERNES	3/8" INTERNAL WASHERS RONDELLES INTERNES
50PC	50PC	50PC	40PC	30PC	20PC

FASTENERS


MAGNETIC BIT HOLDER & ASSORTED BITS

- 6 X magnetic 1/4" bit holders included
- Assortment of Pozidriv®, Philips®, Slotted, Hex and Torx® bits

PART# 67.999.114



114
PCS

PZ1	PZ2	PZ3	PH0	PH1	PH2
6PC	6PC	6PC	6PC	6PC	6PC
SL4	SL5	SL6	H2	H3	H4
6PC	6PC	6PC	6PC	6PC	6PC
H5	H6	T10	T20	T25	T30
6PC	6PC	6PC	6PC	6PC	6PC
 MAGNETIC BIT HOLDER 6PC					

FASTENERS

ALUMINUM RIVETS - SAE

- Rustproof aluminum heads & steel shanks
- Four popular sizes of 1/8" diameter rivets

PART# 67.100.500



500
PCS

1/8" X 1/4"	1/8" X 4/16"	1/8" X 3/8"	1/8" X 5/8"
125PC	125PC	125PC	125PC

HARDWARE

INTERNAL & EXTERNAL SNAP RINGS - SAE

- Constructed of heat treated durable spring steel
- Black oxide finish steel for corrosion resistance

PART# 67.100.285



285
PCS

7/16"	5/8"	5/8"	9/16"	5/8"	3/4"
15PC	15PC	20PC	20PC	20PC	20PC
1/2"	3/4"	1-1/4"	1"	7/8"	13/16"
15PC	15PC	5PC	10PC	10PC	10PC
9/16"	13/16"	7/16"	3/8"	5/16"	1/4"
15PC	15PC	15PC	20PC	20PC	20PC

ASSORTED KITS

HARDWARE

EXTERNAL SNAP RINGS - METRIC

- Constructed of heat treated durable spring steel
- Black oxide finish steel for corrosion resistance

PART# 67.100.300

300
PCS



3MM 20PC	6MM 25PC	11MM 15PC	13MM 25PC	16MM 20PC	22MM 20PC
4MM 10PC	8MM 15PC	32MM 5PC	28MM 10PC	19MM 25PC	25MM 15PC
5MM 15PC	10MM 20PC	12MM 15PC	14MM 15PC	20MM 15PC	26MM 15PC

HARDWARE

INTERNAL SNAP RINGS - METRIC

- Constructed of heat treated durable spring steel
- Black oxide finish steel for corrosion resistance

PART# 67.200.300

300
PCS



3MM 20PC	4MM 10PC	5MM 15PC	6MM 25PC	8MM 15PC	9MM 20PC
20MM 15PC	22MM 20PC	25MM 15PC	26MM 15PC	28MM 10PC	32MM 5PC
11MM 15PC	12MM 15PC	13MM 25PC	14MM 15PC	15MM 20PC	16MM 25PC

HARDWARE

EXTERNAL E-CLIPS - METRIC

- Constructed of heat treated durable spring steel
- Black oxide finish steel for corrosion resistance

PART# 67.300.300

300
PCS



1.5MM 30PC	3MM 30PC	5MM 40PC	15MM 20PC	19MM 20PC	22MM 20PC
6MM 50PC	10MM 50PC	12MM 40PC			

HARDWARE

ROLL PINS - SAE

- Constructed of heat treated durable spring steel
- Black oxide finish steel for corrosion resistance

PART# 67.100.120

120
PCS



5/32" X 5/8" 5/32" X 1" 5/32" X 1 1/2" 4 PC	1/4" X 5/8" 1/4" X 1 1/4" 1/4" X 1 3/4" 4 PC			3/32" X 5/8" 3/32" X 1" 3/32" X 1 1/4" 4 PC	1/8" X 5/8" 1/8" X 1" 1/8" X 1 1/4" 5 PC
5/64" X 1/4" 5/64" X 1/2" 5/64" X 1" 4 PC	1/16" X 3/16" 1/16" X 3/4" 1/16" X 5/16" 4 PC	5/16" X 3/4" 5/16" X 1 1/2" 5/16" X 2" 4 PC	3/8" X 3/4" 3/8" X 1 1/2" 3/8" X 2" 2 PC	7/32" X 1 1/4" 7/32" X 1 3/4" 7/32" X 5/8" 4 PC	3/16" X 5/8" 3/16" X 1" 3/16" X 1 1/4" 5 PC

HARDWARE

ROLL PINS - METRIC

- Constructed of heat treated durable spring steel
- Black oxide finish steel for corrosion resistance

PART# 67.444.120

120
PCS



5/32" X 5/8" 5/32" X 1" 5/32" X 1 1/2" 4 PC	1/4" X 5/8" 1/4" X 1 1/4" 1/4" X 1 3/4" 4 PC			3/32" X 5/8" 3/32" X 1" 3/32" X 1 1/4" 4 PC	1/8" X 5/8" 1/8" X 1" 1/8" X 1 1/4" 5 PC
5/64" X 1/4" 5/64" X 1/2" 5/64" X 1" 4 PC	1/16" X 3/16" 1/16" X 3/4" 1/16" X 5/16" 4 PC	5/16" X 3/4" 5/16" X 1 1/2" 5/16" X 2" 4 PC	3/8" X 3/4" 3/8" X 1 1/2" 3/8" X 2" 2 PC	7/32" X 1 1/4" 7/32" X 1 3/4" 7/32" X 5/8" 4 PC	3/16" X 5/8" 3/16" X 1" 3/16" X 1 1/4" 5 PC

ASSORTED KITS

HARDWARE

STAINLESS STEEL HOSE CLAMPS

- Heavy duty 304SS band & zinc plated gear
- Popular sizes from 5/8" to 1-1/2"

PART# 67.999.026



5/8" (10-16MM)	1" (16-25MM)	1-1/16" (14-27MM)	1-1/4" (18-32MM)	7/8" (1-22MM)
8PC	4PC	2PC	2PC	6PC
		1-1/2" (21-38MM)		
		4PC		

26
PCS

HARDWARE

STAINLESS STEEL HOSE CLAMPS - KEY TYPE

- Heavy duty 304SS band & zinc plated gear
- Popular sizes included & no tools required

PART# 67.991.026



7/8" (22MM)	1" (25MM)	1/2" (13MM)	5/8" (16MM)	3/4" (19MM)
2PC	2PC	10PC	6PC	6PC

26
PCS

HARDWARE

COPPER WASHERS - SAE

- Corrosion resistant and high conductivity
- Ideal for sump plugs, fuel, water or electrical connections

PART# 67.000.110



1/4"	5/16"	3/8"	7/16"	1/2"	5/8"
30PC	25PC	20PC	15PC	10PC	10PC

110
PCS

HARDWARE

WIRE ROPE CLIPS AND SHACKLES

- Zinc plated steel/corrosion resistant
- Popular sizes of wire rope & carabiner clips and shackles

PART# 67.999.030



5 X 50MM 4PC	8 X 80MM	10 X 100MM	3MM	8MM
6 X 60MM 3PC	2PC	1PC	5MM 5PC	3PC
		6MM 4PC		
		8MM 3PC		

30
PCS

HARDWARE

COMPRESSION AND EXTENSION SPRINGS

- Constructed of #75 zinc plated steel for durability
- Great for DIY projects, home repairs or hand tool repairs

PART# 67.000.200



COMP. EXT. 7 x 1.25MM 5 x 20.5MM	COMP. EXT. 9.5 x 16MM 8 x 28.5MM	FIRST FRACTION - OUTSIDE DIAMETER SECOND FRACTION - LENGTH	COMP. 9 x 35MM	COMP. 5.5 x 38MM
10PC	6PC 8PC		8PC	10PC
COMP. EXT. 6.5 x 10MM 5 x 25.5MM	COMP. 9.5 x 19MM	EXT. 8.5 x 47MM	EXT. 4.5 x 44.5MM	EXT. 7 x 19MM
10PC	12PC			
COMP. EXT. 5.5 x 17.5MM 6.5 x 22MM	EXT. 8 x 31.5MM	EXT. 8 x 44.5MM		EXT. 8.5 x 36.5MM
10PC	10PC	12PC	10PC	10PC

200
PCS

ASSORTED KITS

HARDWARE

EXTENSION SPRING ASSORTMENT

- Black oxide plated steel for durability & corrosion resistance
- Great for DIY projects, home repairs or hand tool repairs

PART# 67.100.054

54
PCS



<p>0.0175" X 1.25" X 1/8"</p> <p>0.0275" X 2.125" X 1/8"</p> <p>0.035" X 2.5" X 1/8"</p> <p>0.027" X 3.125" X 1/8"</p> <p>0.028" X 3.4375" X 1/8"</p> <p>0.029" X 4.375" X 1/8"</p>	<p>0.0175" X 1.25" X 1/8"</p> <p>0.0275" X 2.125" X 1/8"</p> <p>0.035" X 2.5" X 1/8"</p> <p>0.027" X 3.125" X 1/8"</p> <p>0.028" X 3.4375" X 1/8"</p> <p>0.029" X 4.375" X 1/8"</p>	<p>0.027" X 1.875" X 1/8"</p> <p>0.035" X 2.5" X 1/8"</p> <p>0.025" X 2.8125" X 1/8"</p> <p>0.025" X 3.4375" X 1/8"</p> <p>0.028" X 4.375" X 1/8"</p> <p>0.047" X 4.375" X 1/8"</p>	<p>0.035" X 4.375" X 1/8"</p> <p>0.047" X 4.375" X 1/8"</p>	<p>0.047" X 4.375" X 1/8"</p> <p>0.047" X 4.375" X 1/8"</p>	<p>0.035" X 3.125" X 1/8"</p> <p>0.047" X 3.125" X 1/8"</p>
2PC EACH	4PC EACH				
2PC EACH	4PC EACH	2PC EACH	4PC EACH	2PC EACH	2PC EACH

HARDWARE

COMPRESSION SPRING

- Black oxide plated steel for durability & corrosion resistance
- Great for DIY projects, home repairs or hand tool repairs

PART# 67.100.114

114
PCS



<p>0.1875" X 1.0" X 1/8"</p> <p>0.1875" X 1.5" X 1/8"</p> <p>0.1875" X 2.0" X 1/8"</p>	<p>0.1875" X 1.0" X 1/8"</p> <p>0.1875" X 1.5" X 1/8"</p> <p>0.1875" X 2.0" X 1/8"</p>	<p>0.1875" X 2.5" X 1/8"</p> <p>0.1875" X 3.0" X 1/8"</p> <p>0.1875" X 3.5" X 1/8"</p> <p>0.1875" X 4.0" X 1/8"</p> <p>0.1875" X 4.5" X 1/8"</p> <p>0.1875" X 5.0" X 1/8"</p>	<p>0.1875" X 2.5" X 1/8"</p> <p>0.1875" X 3.0" X 1/8"</p> <p>0.1875" X 3.5" X 1/8"</p> <p>0.1875" X 4.0" X 1/8"</p> <p>0.1875" X 4.5" X 1/8"</p> <p>0.1875" X 5.0" X 1/8"</p>	<p>0.1875" X 2.5" X 1/8"</p> <p>0.1875" X 3.0" X 1/8"</p> <p>0.1875" X 3.5" X 1/8"</p> <p>0.1875" X 4.0" X 1/8"</p> <p>0.1875" X 4.5" X 1/8"</p> <p>0.1875" X 5.0" X 1/8"</p>	<p>0.1875" X 2.5" X 1/8"</p> <p>0.1875" X 3.0" X 1/8"</p> <p>0.1875" X 3.5" X 1/8"</p> <p>0.1875" X 4.0" X 1/8"</p> <p>0.1875" X 4.5" X 1/8"</p> <p>0.1875" X 5.0" X 1/8"</p>
6PC EACH	6PC EACH	4PC EACH	4PC EACH	4PC EACH	4PC EACH
2PC EACH	4PC EACH	2PC EACH	2PC EACH	2PC EACH	2PC EACH

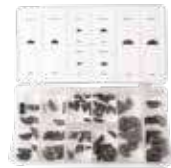
HARDWARE

WOODRUFF KEYS - METRIC

- Constructed of heat treated carbon steel
- Black oxide finish steel for corrosion resistance

PART# 67.200.080

80
PCS



4 x 7.5 x 19	5 x 7.5 x 19	3 x 5 x 13	3 x 6.5 x 16	5 x 9 x 22	6 x 9 x 22
10PC	10PC	10PC	10PC	10PC	10PC
		4 x 5 x 13	4 x 6.5 x 16		
		10PC	10PC		

HARDWARE

HNBR O-RINGS - SAE / METRIC

- HNBR - hydrogenated nitrile butadiene rubber
- For use with air conditioning applications

PART# 67.700.270

270
PCS



7/32" X 1/16"	1/4" X 1/16"	9/32" X 5/64"	5/16" X 1/16"	5/16" X 5/64"	11/32" X 5/64"
20PC	20PC	20PC	20PC	20PC	20PC
7/16" X 1/16"	7/16" X 3/32"	9/16" X 1/16"	9/16" X 3/32"	11/16" X 1/16"	11/16" X 1/8"
15PC	15PC	10PC	10PC	10PC	10PC
8MM X 2MM	10MM X 2MM	10MM X 2MM	12MM X 2MM	15MM X 2MM	17MM X 2MM
20PC	10PC	15PC	15PC	10PC	10PC

HARDWARE

NITRILE O-RINGS - SAE

- NBR - nitrile butadiene rubber (BUNA-N 70)
- Rubber resists oil, gas, water, and alcohol solvents

PART# 67.100.225

225
PCS



3/32" x 15/64"	1/8" x 1/4"	5/32" x 9/32"	3/16" x 5/16"	7/32" x 11/32"	1/4" x 3/8"
10PC	20PC	20PC	20PC	15PC	15PC
9/16" x 3/4"	5/8" x 13/16"	11/16" x 7/8"	3/4" x 15/16"	3/4" x 1"	13/16" x 1-1/16"
10PC	10PC	10PC	10PC	10PC	10PC
5/16" x 7/16"	3/8" x 1/2"	5/8" x 3/4"	3/8" x 9/16"	7/16" x 5/8"	1/2" x 11/16"
10PC	10PC	10PC	10PC	10PC	10PC

ASSORTED KITS

HARDWARE

NITRILE O-RINGS - METRIC

- NBR - nitrile butadiene rubber (BUNA-N 70)
- Rubber resists oil, gas, water, and alcohol solvents

PART# 67.444.225

225
PCS



3 x 1 20PC	4 x 1 20PC	4.5 x 2 20PC	5 x 2 20PC	6 x 2 20PC	6 x 2.5 20PC
13 x 3 5PC	14 x 2.5 5PC	17 x 2.5 5PC	18 x 4 5PC	20 x 2 5PC	22 x 2 5PC
6 x 3 20PC	7 x 2 20PC	8 x 2 20PC	9 x 2 5PC	10 x 2 5PC	12 x 3 5PC

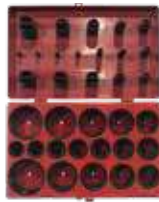
HARDWARE

NITRILE O-RINGS - SAE

- NBR - nitrile butadiene rubber (BUNA-N 70)
- Rubber resists oil, gas, water, and alcohol solvents

PART# 67.100.407

407
PCS



NUMBERS	I/D	O/D	SECTION	QTY	NUMBERS	I/D	O/D	SECTION	QTY	NUMBERS	I/D	O/D	SECTION	QTY			
R-01	006	1/8	1/4	1/16	20	R-12	115	11/16	7/8	3/32	13	R-23	217	13/16	17/16	1/8	10
R-02	008	3/16	5/16	1/16	20	R-13	116	3/4	15/16	3/32	13	R-24	218	11/4	11/2	1/8	10
R-03	010	1/4	3/8	1/16	20	R-14	117	13/16	1	3/32	13	R-25	219	15/16	19/16	1/8	10
R-04	011	5/16	7/16	1/16	20	R-15	118	7/8	11/16	3/32	13	R-26	220	13/8	15/8	1/8	10
R-05	012	3/8	1/2	1/16	20	R-16	210	3/4	1	1/8	10	R-27	221	17/16	11/16	1/8	10
R-06	014	1/2	5/8	1/16	20	R-17	211	13/16	11/16	1/8	10	R-28	222	11/2	13/4	1/8	10
R-07	110	3/8	9/16	3/32	13	R-18	212	7/8	11/8	1/8	10	R-29	223	15/8	17/8	1/8	10
R-08	111	7/16	5/8	3/32	13	R-19	213	15/16	13/16	1/8	10	R-30	224	13/4	2	1/8	10
R-09	112	1/2	11/16	3/32	13	R-20	214	1	11/4	1/8	10	R-31	225	17/8	21/8	1/8	10
R-10	113	9/16	3/4	3/32	13	R-21	215	11/16	15/16	1/8	10	R-32	226	2	21/4	1/8	10
R-11	114	5/8	13/16	3/32	13	R-22	216	11/8	13/8	1/8	10						

HARDWARE

NITRILE O-RINGS - METRIC

- NBR - nitrile butadiene rubber (BUNA-N 70)
- Rubber resists oil, gas, water, and alcohol solvents

PART# 67.444.407

407
PCS



NUMBERS	I/D	SECTION	QTY	NUMBERS	I/D	SECTION	QTY	NUMBERS	I/D	SECTION	QTY
568-006	2.90	1.78	20	568-115	17.13	2.62	13	568-217	29.75	3.53	10
568-008	4.48	1.78	20	568-116	18.72	2.62	13	568-218	31.34	3.53	10
568-010	6.07	1.78	20	568-117	20.29	2.62	13	568-219	32.92	3.53	10
568-011	7.66	1.78	20	568-118	21.89	2.62	13	568-220	34.52	3.53	10
568-012	9.25	1.78	20	568-210	18.64	2.62	13	568-221	36.10	3.53	10
568-014	12.42	1.78	20	568-211	20.22	3.53	10	568-222	37.69	3.53	10
568-110	9.19	2.62	13	568-212	21.82	3.53	10	568-223	40.87	3.53	10
568-111	10.77	2.62	13	568-213	23.40	3.53	10	568-224	44.04	3.53	10
568-112	12.37	2.62	13	568-214	24.99	3.53	10	568-225	47.22	3.53	10
568-113	13.95	2.62	13	568-215	26.58	3.53	10	568-226	50.40	3.53	10
568-114	15.54	2.62	13	568-216	28.17	3.53	10				

HARDWARE

GREASE FITTINGS - SAE

- Clear zinc plated steel / corrosion resistant
- Includes straight, 45° and 90° angled zerks

PART# 67.100.110

110
PCS



1/4" - 28 30PC	1/4" - 28 45° 15PC	1/4" - 28 90° 15PC	1/8" - 27 90° 15PC	1/8" - 27 45° 15PC	1/8" - 27 20PC
-------------------	--------------------------	--------------------------	--------------------------	--------------------------	-------------------

HARDWARE

GREASE FITTINGS - METRIC

- Clear zinc plated steel / corrosion resistant
- Includes straight, 45° and 90° angled zerks

PART# 67.444.110

110
PCS



M6 x 1 30PC	M6 x 1 45° 15PC	M6 x 1 90° 15PC	M10 x 1.25 90° 15PC	M10 x 1.25 45° 15PC	M10 x 1.25 20PC
----------------	-----------------------	-----------------------	---------------------------	---------------------------	--------------------

ASSORTED KITS

HARDWARE










GREASE FITTINGS - METRIC

- Clear zinc plated steel / corrosion resistant
- Includes straight, 45° and 90° angled zerks

PART# 67.444.060

110 PCS



M6 x 1 STRAIGHT  10PC	M6 x 1 45°  5PC	M8 x 1 STRAIGHT  10PC	M8 x 1 90°  5PC	M10 x 1 90°  5PC	M10 x 1 STRAIGHT  10PC
	M6 x 1 90°  5PC	M8 x 1 45°  5PC	M10 x 1 45°  5PC		

HARDWARE

GREASE FITTINGS - SAE

- Clear zinc plated steel / corrosion resistant
- Includes straight, 45° and 90° angled zerks

PART# 67.100.100

100 PCS



1/4" - 28 STRAIGHT 25PC	1/4" - 28 STRAIGHT LONG 5PC	1/4" - 28 90° 10PC	1/8" - 27 90° 10PC	1/8" - 27 45° 10PC	1/8" - 28 STRAIGHT 30PC
	1/4" - 28 45° 10PC				

ELECTRICAL






INSULATED RUBBER CLAMPS

- Perfect to organize wire, cable, conduit, pipe & tubing
- Rubber insulation absorbs vibrations & jolts

PART# 67.999.042

42 PCS



5/16"	3/8"	1/4"	1/2"	5/8"
 8PC	 6PC	 20PC	 4PC	 4PC

ELECTRICAL

RUBBER GROMMETS

- Popular variety of EWG & RBG style grommets
- Popular for automotive, electrical and home use

PART# 67.999.125

125 PCS



1/8" X 1/4" 15PC	1/2" X 19/32" 3PC	5/16" X 9/16" 3PC	5/8" X 31/32" 3PC	3/8" 20PC	3/4" 4PC
7/32" X 5/16" 10PC	3/8" X 15/32" 6PC	3/8" X 13/16" 3PC	3/4" X 15/16" 2PC	1/2" 10PC	7/8" 3PC
9/32" X 1/2" 7PC	3/8" X 1/2" 5PC	7/16" X 3/4" 4PC	9/32" 20PC	5/8" 5PC	1" 2PC

ELECTRICAL

ELECTRICAL WIRE CONNECTORS - TWIST ON

- Color coded terminals to distinguish gauge size
- Provides secure connection between wires, no tools needed

PART# 67.999.158

158 PCS



GREY MIN 2 X #22 MAX 2 X #16 40PC	BLUE MIN 2 X #22 MAX 2 X #16 40PC	ORANGE MIN 1 X #18 / 1 X #20 MAX 4 X #16 / 1 X #20 50PC	YELLOW MIN 2 X #18 MAX 4 X #14 / 1 X #18 18PC	RED MIN 2 X #14 MAX 2 X #10 / 1 X #12 10PC
--	--	--	--	---

ASSORTED KITS

ELECTRICAL

WIRE TERMINALS AND CONNECTORS

- Large variety of terminal ends and connectors
- Crimp and connect wires from 22 to 10 gauge

PART# 67.000.360

360
PCS



16-14GA BULLET MALE CONNECTOR MPD2-156 25PC	16-14GA RING TERMINAL RV5.5-5 30PC	12-10GA RING TERMINAL RV5.5-5 20PC	22-18GA BUTT CONNECTOR PVT1.25 30PC	16-14GA SPADE TERMINAL SV5.5-5 30PC	12-10GA SPADE TERMINAL SV5.5-5 20PC
22-18GA BUTT CONNECTOR BV1.25 10PC	16-14GA RING TERMINAL 1/4RV2-6 20PC	12-10GA RING TERMINAL 1/4RV5.5-6 15PC	16-14GA BUTT CONNECTOR PVT2 30PC	16-14GA MALE DISCONNECTOR MDD2-250 25PC	22-18GA MALE DISCONNECTOR MDFNY1.25-250 10PC
16-14GA BULLET FEMALE CONNECTOR FRD2-156 10PC	16-14GA RING TERMINAL 3/8RV2-10 20PC	12-10GA RING TERMINAL 3/8RV5.5-10 15PC	12-10GA BUTT CONNECTOR PVT5.5 15PC	12-10GA FEMALE DISCONNECTOR FDD2-250 25PC	22-18GA FEMALE DISCONNECTOR FDFNY1.25-250 10PC

ELECTRICAL

WIRE TERMINALS AND CRIMPER

- Large variety of connectors from 22 to 10 gauge
- 3-In-1 crimper tool crimps, cuts and strips wires

PART# 67.999.175

175
PCS



22-16GA FEMALE CONNECTOR FDD1.5-250 12PC	22-16GA RING TERMINAL RV5.5-5 12PC	16-14GA RING TERMINAL RV2-4 12PC	16-14GA SPADE TERMINAL SV2-4 12PC	16-14GA SPADE TERMINAL SV5.5-5 12PC	22-16GA BUTT CONNECTOR BV2 12PC
16-14GA FEMALE CONNECTOR FDD2-250 12PC	22-16GA RING TERMINAL RV1.25-5 12PC	16-14GA RING TERMINAL RV2-5 12PC	16-14GA SPADE TERMINAL SV2-5 12PC	22-16GA SPADE TERMINAL SV1.25-3.5 12PC	16-14GA BUTT CONNECTOR BV2 12PC
12-10GA FEMALE CONNECTOR FDD5.5-250 5PC	12-10GA RING TERMINAL RV5.5-5 5PC	12-10GA RING TERMINAL RV5.5-6 5PC	12-10GA RING TERMINAL RV5.5-8 5PC	12-10GA SPADE TERMINAL SV5.5-5 5PC	12-10GA BUTT CONNECTOR BV5.5 5PC
 CRIMPING TOOL					

ELECTRICAL

BLACK HEAT SHRINK TUBES

- Tubes shrink up to half their original size when heated
- Repairs, seals, insulates and adds strength to wire

PART# 67.999.127

127
PCS



2.0 x 40MM 30PC	3.5 x 40MM 20PC	5.0 x 40MM 20PC	7.0 x 80MM 16PC	10.0 x 80MM 8PC	13.0 x 85MM 8PC
2.5 x 40MM 25PC					

ELECTRICAL

ALLIGATOR AND CHARGING CLIPS

- Red or black pvc grips for insulation and easy identification
- Clear zinc plated finish for corrosion resistance

PART# 67.999.060

60
PCS



MINI ALLIGATOR CLIPS PINCES CROCODILES 20PC	1-3/4" ALLIGATOR CLIPS PINCES CROCODILES 16PC	30AMP CHARGING CLIPS PINCES DE CHARGEMENT 2PC	15AMP CHARGING CLIPS PINCES DE CHARGEMENT 2PC	2" ALLIGATOR CLIPS PINCES CROCODILES 12PC	5AMP CHARGING CLIPS PINCES DE CHARGEMENT 8PC
--	--	--	--	--	---

ELECTRICAL

AUTOMOTIVE FUSES - ATM

- Large variety of most popular ATM "mini" auto fuses
- Colour coded to industry standard for easy identification

PART# 67.998.120

120
PCS



5 AMP ORANGE 20PC	10 AMP RED 20PC	15 AMP BLUE 20PC	20 AMP YELLOW 20PC	25 AMP CLEAR 20PC	30 AMP GREEN 20PC
-----------------------------	---------------------------	----------------------------	------------------------------	-----------------------------	-----------------------------

ASSORTED KITS

ELECTRICAL







AUTOMOTIVE FUSES - ATO

- Large variety of most popular ATO standard auto fuses
- Colour coded to industry standard for easy identification

PART# 67.999.120

120
PCS



5 AMP  ORANGE 20PC	10 AMP  RED 20PC	15 AMP  BLUE 20PC	20 AMP  YELLOW 20PC	25 AMP  CLEAR 20PC	30 AMP  GREEN 20PC
---	---	--	--	---	---

ELECTRICAL







AUTOMOTIVE FUSES - ATX

- Large variety of most popular ATX "maxi" auto fuses
- Colour coded to industry standard for easy identification

PART# 67.999.024

24
PCS



20 AMP  YELLOW 4PC	30 AMP  GREEN 4PC	40 AMP  ORANGE 4PC	50 AMP  RED 4PC	60 AMP  BLUE 4PC	70 AMP  BROWN 4PC
---	--	---	--	---	--

ELECTRICAL













AUTOMOTIVE FUSES - ATO/MINI

- Variety of most popular ATO and ATM auto fuses
- Variety of most popular ATO and ATM auto fuses
- Colour coded to industry standard for easy identification

PART# 67.999.080

80
PCS



5 AMP ATO ORANGE  5PC	10 AMP ATO RED  10PC	15 AMP ATO BLUE  5PC	20 AMP ATO YELLOW  10PC	25 AMP ATO WHITE  5PC	30 AMP ATO GREEN  10PC
5 AMP ATM ORANGE  5PC	10 AMP ATM RED  5PC	15 AMP ATM BLUE  5PC	20 AMP ATM YELLOW  10PC	25 AMP ATM WHITE  5PC	30 AMP ATM GREEN  5PC

ELECTRICAL
















AUTOMOTIVE FUSES - ATO/MINI/MAXI/BOSCH

- Large variety of ATO, ATM, ATX and Bosch fuses
- Colour coded to industry standard for easy identification

PART# 67.999.147

147
PCS



5 AMP ATM ORANGE  10PC	15 AMP ATM BLUE  10PC	5 AMP ATO ORANGE  5PC	15 AMP ATO BLUE  10PC	 2 AMP 5PC 5 AMP 2PC  8 AMP BLACK 2PC 16 AMP RED 5PC 25 AMP BLUE 5PC 40 AMP WHITE 5PC	 30 AMP ATX GREEN 2PC 40 AMP ATX ORANGE 2PC 60 AMP ATX BLUE 2PC 70 AMP ATX BROWN 2PC
7.5 AMP ATM BROWN  10PC	20 AMP ATM YELLOW  10PC	7.5 AMP ATO BROWN  10PC	20 AMP ATO YELLOW  10PC		
10 AMP ATM RED  10PC	30 AMP ATM GREEN  10PC	10 AMP ATO RED  10PC	25 AMP ATO CLEAR 30 AMP ATO GREEN  2 X 5PC		

ELECTRICAL








AUTOMOTIVE FUSES - GLASS TUBE

- Large variety of popular and hard to find fuses
- Comes with tool to safely remove/install fuse

PART # 67.999.121

121
PCS



5A  20PC	10A  20PC	15A  20PC	20A  20PC	25A  20PC	30A  20PC
 1PC - FUSE PULLER					

ASSORTED KITS

ELECTRICAL

AUTOMOTIVE BULBS - 12V

- Variety of stop, tail, turn, cluster and interior bulbs
- Easy identification by industry standard codes

PART# 67.999.017



#53 3PC	#67 1PC	#1003 1PC	#1141 1PC	#1157 1PC	#2057 1PC
#57 2PC					
#194 2PC	#67 1PC	#1073 1PC	#1034 1PC	#1157 1PC	#2057 1PC

17
PCS

FARM PINS

CLEVIS PINS - SAE 14 SIZES

PART# 67.700.312



23
PCS

FARM PINS

COTTER PINS - METRIC SMALL/8 SIZES

PART# 67.700.302



215
PCS

FARM PINS

COTTER PINS - METRIC LARGE/10 SIZES

PART# 67.700.303



40
PCS

FARM PINS

HAIR PINS - SAE 6 SIZES

PART# 67.700.305



28
PCS

HARDWARE

EXTERNAL E-CLIPS - METRIC 7 SIZES

PART# 67.700.309



70
PCS

HARDWARE

INTERNAL SNAP RINGS - METRIC 6 SIZES

PART# 67.700.310



55
PCS

HARDWARE

EXTERNAL SNAP RINGS - METRIC 13 SIZES

PART# 67.700.311



70
PCS

HARDWARE

ROLL PINS - METRIC 13 SIZES

PART# 67.700.307



62
PCS

HARDWARE

HEX HEAD SET SCREWS - SAE 8 SIZES

PART# 67.700.306



65
PCS

HARDWARE

WOODRUFF KEYS - METRIC 8 SIZES

PART# 67.700.308



40
PCS

HARDWARE

KEYSTOCK - SAE 5 SIZES

PART# 67.700.313



30
PCS

HARDWARE

MACHINE BUSHINGS - SAE 4 SIZES

PART# 67.983.906



ASSORTED KITS

HARDWARE

GREASE FITTINGS - SAE
6 SIZES
PART# 67.700.304



40
PCS

HARDWARE

GREASE FITTINGS - METRIC
7 SIZES
PART# 67.700.314



50
PCS

HARDWARE

GREASE FITTINGS - DRIVE IN
4 SIZES
PART# 67.700.315



50
PCS

ELECTRICAL

AUTOMOTIVE FUSES - ATO
5 SIZES
PART# 67.700.300



50
PCS

ELECTRICAL

AUTOMOTIVE FUSES - ATM
5 SIZES
PART# 67.700.301



50
PCS

COTTER PIN KIT
PART# 68.000.050



50
PCS

COTTER PIN KIT
PART# 68.000.100



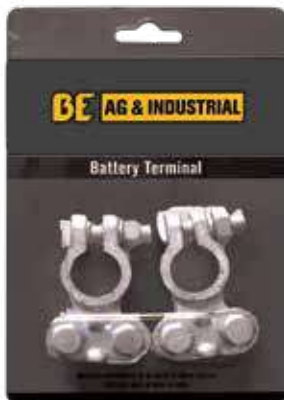
100
PCS

NYLON LOCK NUTS
PART# 67.700.070

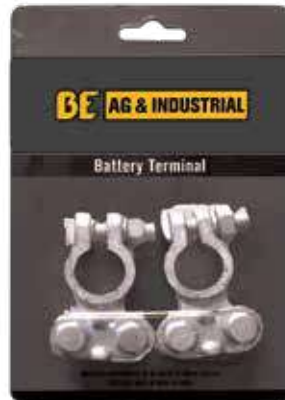


70
PCS

UNIVERSAL BATTERY TERMINAL
ZINC, 2 PACK
PART# 67.999.005



UNIVERSAL BATTERY TERMINAL
LEAD, 2 PACK
PART# 67.999.006



HD POLYMER HARDWARE CASE
PART# 85.600.103



ALL BE LED LIGHTS SHARE THE SAME GREAT QUALITY, BUILD AND COMPONENTS.



**DIECAST ALUMINUM HOUSING
INCREASED DURABILITY & HEAT REDUCTION**

**CAN BE USED ANYWHERE, ANYTIME
WORKING TEMP: -45°F TO 130°F**

**LIFESPAN: 50,000 HOURS
LONG LASTING INVESTMENT**

**POLYCARBONATE LENS
HIGH IMPACT RESISTANT**

**LOW AMP DRAW
CREATING LOW VEHICLE
DEMAND**

**IP 67 WEATHER RATING
SEALED AGAINST DUST & WATER**

**LIGHT COLOR: 6000°K WHITE
PROVIDES A NATRUAL LIGHT**

**MOUNTING BRACKETS
MAKES INSTALLATION EASY**



HANG TAB



**INNOVATIVE RETAIL PACKAGING WITH
BUILT-IN WINDOW TO VIEW
PRODUCT AND HANG TABS
FOR EASY DISPLAY**



BUILT IN WINDOW



LED WORK LIGHTS



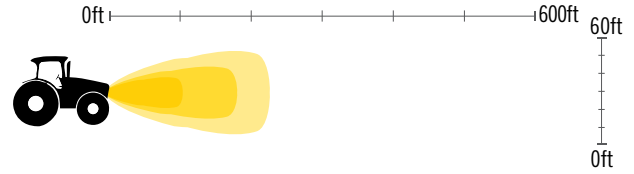
HOUSING W/O HARDWARE

FLOOD LIGHT - 6 EPISTAR LEDS

PART# LF1801

18W

1200 LUMENS



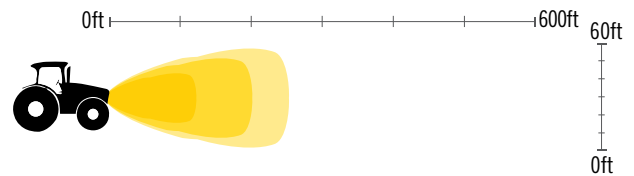
HOUSING W/O HARDWARE

FLOOD LIGHT - 6 CREE LEDS

PART# LF1803

18W

2160 LUMENS



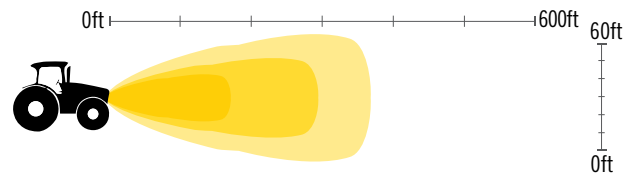
HOUSING W/O HARDWARE

FLOOD LIGHT - 14 EPISTAR LEDS

PART# LF4201

42W

3000 LUMENS



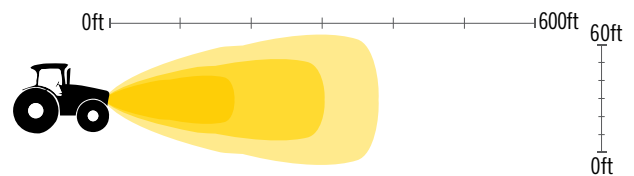
HOUSING W/O HARDWARE

FLOOD LIGHT - 16 EPISTAR LEDS

PART# LF4801

48W

3300 LUMENS



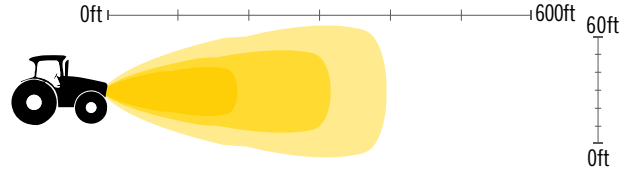


HOUSING W/O HARDWARE

FLOOD LIGHT - 17 EPISTAR LEDS
PART# LF5101

51W

3825 LUMENS

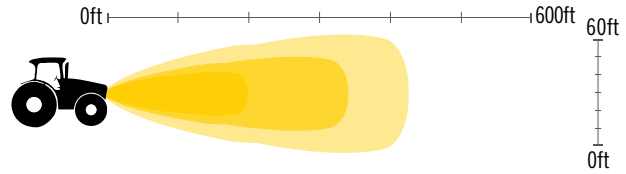


HOUSING W/O HARDWARE

FLOOD LIGHT - 6 CREE LEDS
PART# LF6001

60W

7800 LUMENS

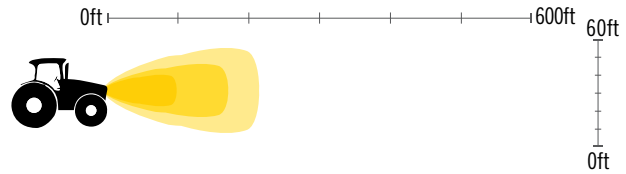


HOUSING W/O HARDWARE

PORTABLE FLOOD LIGHT - 5 EPISTAR LEDS
PART# LF1501

15W

1125 LUMENS

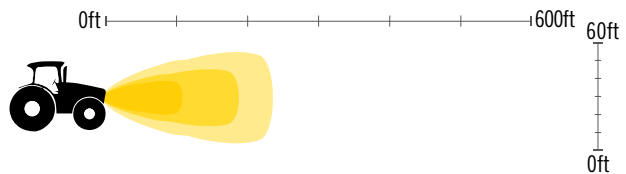


HOUSING W/O HARDWARE

FLOOD LIGHT - 6 EPISTAR LEDS
PART# LF1802

18W

1350 LUMENS



LED WORK LIGHTS & LIGHT BARS

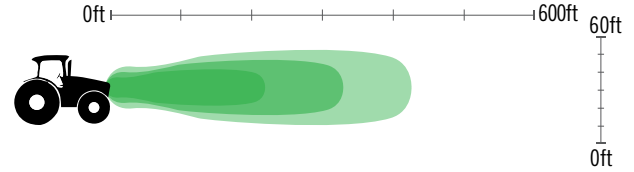


HOUSING W/O HARDWARE

SPOT LIGHT - 9 EPISTAR LEDS

PART# LS2701

27W **1755 LUMENS**

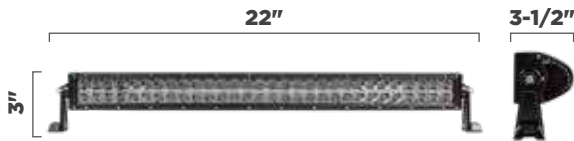
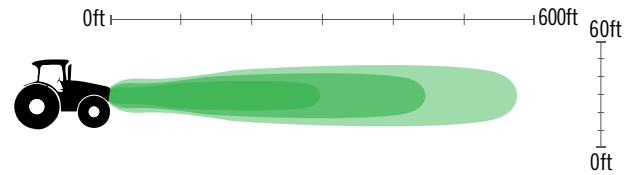


HOUSING W/O HARDWARE

SPOT LIGHT - 6 CREE LEDS

PART# LS6001

60W **7800 LUMENS**

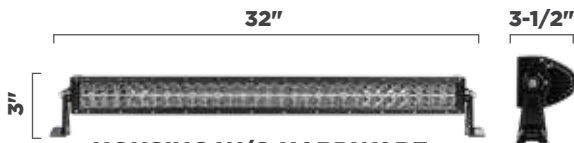
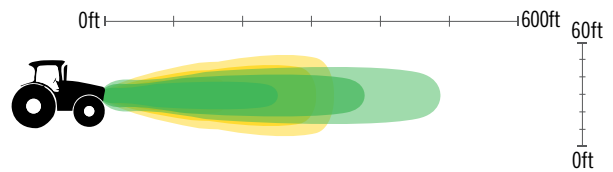


HOUSING W/O HARDWARE

COMBO FLOOD/SPOT LIGHT BAR - 22"

PART# LB22120

120W **9600 LUMENS**

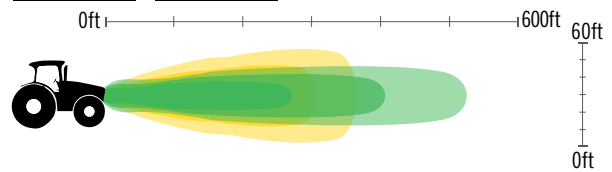


HOUSING W/O HARDWARE

COMBO FLOOD/SPOT LIGHT BAR - 32"

PART# LB32180

180W **14400 LUMENS**

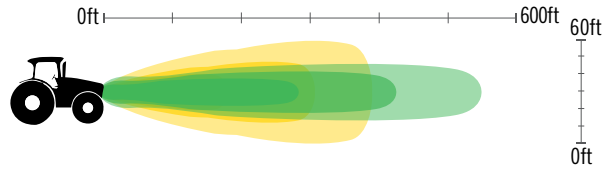




COMBO FLOOD/SPOT LIGHT BAR - 42"

PART# LB42240

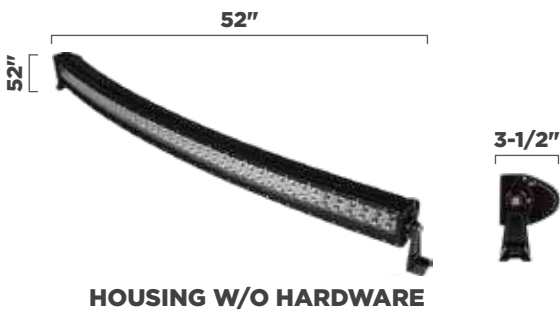
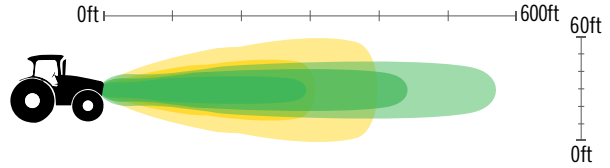
240W **19200 LUMENS**



COMBO FLOOD/SPOT LIGHT BAR - 50"

PART# LB50288

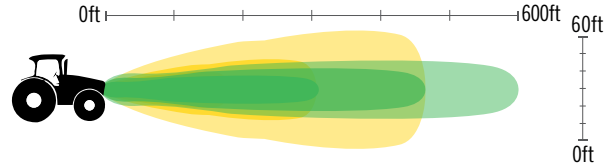
288W **23040 LUMENS**



COMBO FLOOD/SPOT LIGHT BAR - 52" CURVED

PART# LB52300

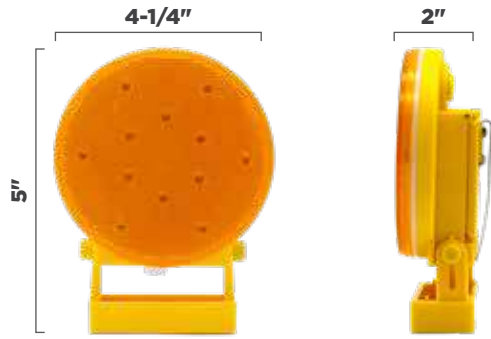
300W **28800 LUMENS**



LED LIGHT WIRING HARNESS

PART# LEDWH01

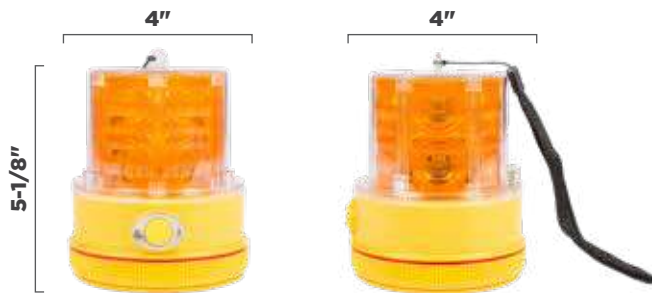
- 16.4 ft wiring harness
- 2 sets of DT connections
- 30A relay/up to 360W
- Plug and play - easy installation of any BE LED lights



HOUSING W/O HARDWARE

**PORTABLE SAFETY LIGHT
BATTERY OPERATED
PART# LS001**

- Push button operation
- 3 user-selectable flash patterns
- Magnetic base and 180° adjustable
- 72 hours of operation on 2x AA batteries (not included)



HOUSING W/O HARDWARE

**360° SAFETY LIGHT
BATTERY OPERATED
PART# LS002**

- 24 ultra-bright LEDs
- Magnetic base
- 60 triple flashes per minute
- 300-400 hours of operation on 2x D batteries (not included)



HOUSING W/O HARDWARE

**LED SAFETY LIGHT
12V
PART# LS003**

- 36W, 1800 Lumens
- Connects to a 12V car outlet
- Magnetic base
- 50,000 hours life time



HOUSING W/O HARDWARE

**360° BEACON LIGHT
HIGH PIPE MOUNT
PART# BL01**

- DC 12-24V
- Meets IP56 protection standards
- -30°C to + 50°C temperature range
- 80 SMD5050 360° revolving flash / intermittent flash



HOUSING W/O HARDWARE

**360° BEACON LIGHT
LOW PIPE MOUNT
PART# BL02**

- DC 12-24V
- Meets IP56 protection standards
- -30°C to + 50°C temperature range
- 80 SMD5050 360° revolving flash / intermittent flash

**SIDE MOUNT
BLB901**



**TOP FLUSH
BLB903**



**BRACKETS FOR BEACON LIGHTS
PART# BLB901/BLB902/BLB903/BLB904**

- Copper and rubber
- Fits any BE Beacon Lights

**TOP MOUNT
BLB902**



**SIDE L-SHAPED
BLB904**



HOUSING W/O HARDWARE

**LED TOWING LIGHT KIT
12V
PART# LT1230**

- 24 LEDs (12 on each side)
- 30 ft wiring harness included
- Magnetic base
- 100,000 hours life time



**COMMERCIAL GRADE
LED TOWING LIGHT KIT
12V
PART# LTHD1230**

- Carrying case included
- 30 ft wiring harness included
- 7 ft span between two lights
- 60 lb round pull magnets



**SUBMERSIBLE
LED TRAILER LIGHT KIT
12V
PART# LST1222**

- 22 ft wiring harness included
- For trailers under 80" wide
- Mounting hardware & license plate bracket
- DOT certified



FJ-48



FJ-60

FEATURES

- Farm, lift, hoist, pull or push
- Top winch-connector clamp
- Safe use information is fixed to jack handle tube for easy reference

APPLICATIONS

- Multi-purpose jack for off road, winching, pulling/clamping & agricultural applications

FARM JACKS

PART#	RATED CAPACITY	TESTED CAPACITY	HEIGHT	LIFT RANGE	CLAMPING CAPACITY	WINCHING CAPACITY
FJ-48	4660 LBS	7000 LBS	48"	4-1/2" - 37"	750 LBS	5,000 LBS
FJ-60	4660 LBS	7000 LBS	60"	4-1/2" - 48-1/4"	750 LBS	5,000 LBS

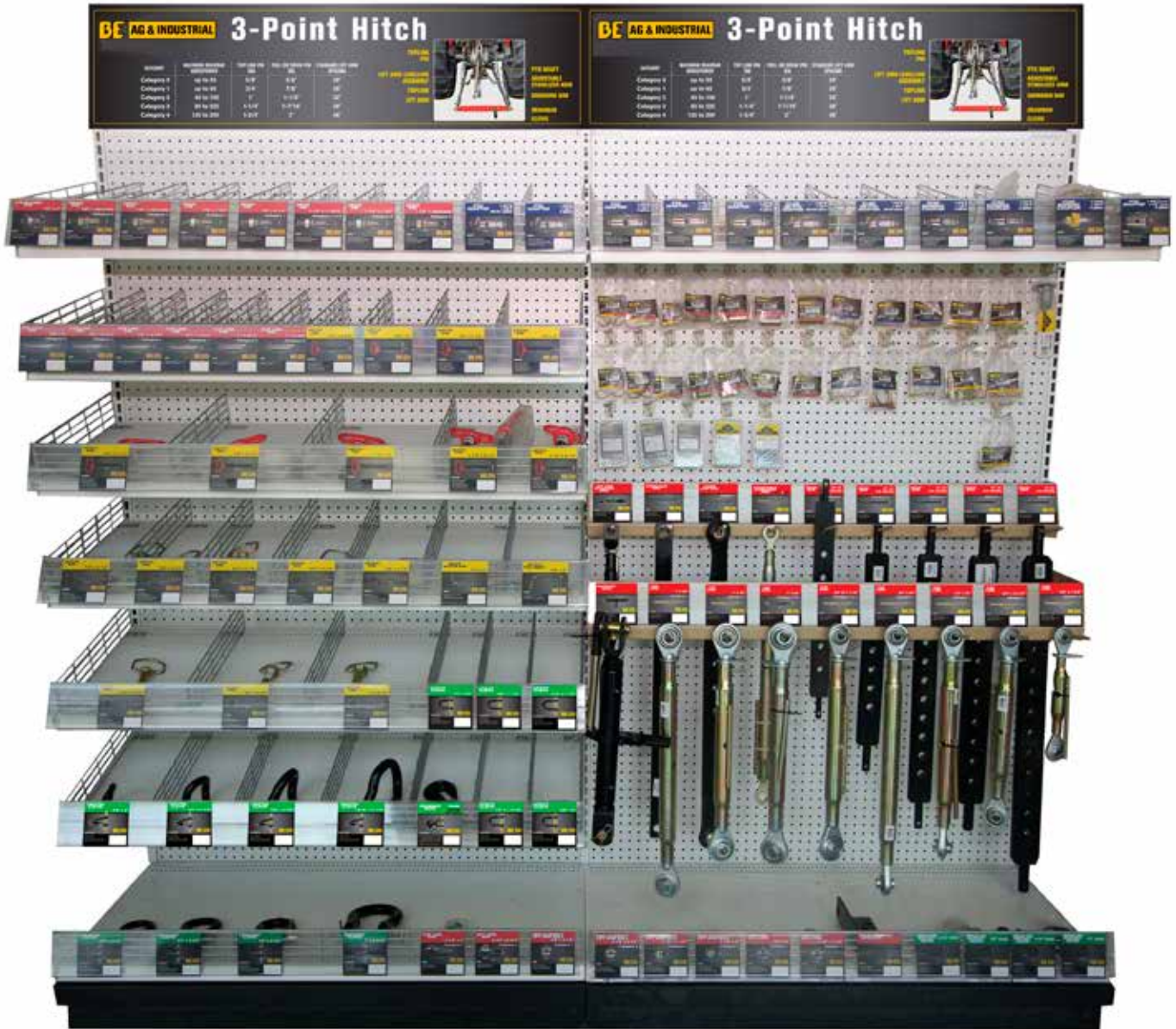
ACCESSORIES AVAILABLE

PART#	DESCRIPTION
FJ-FP	FARM JACK FOOT PLATE



FEATURES

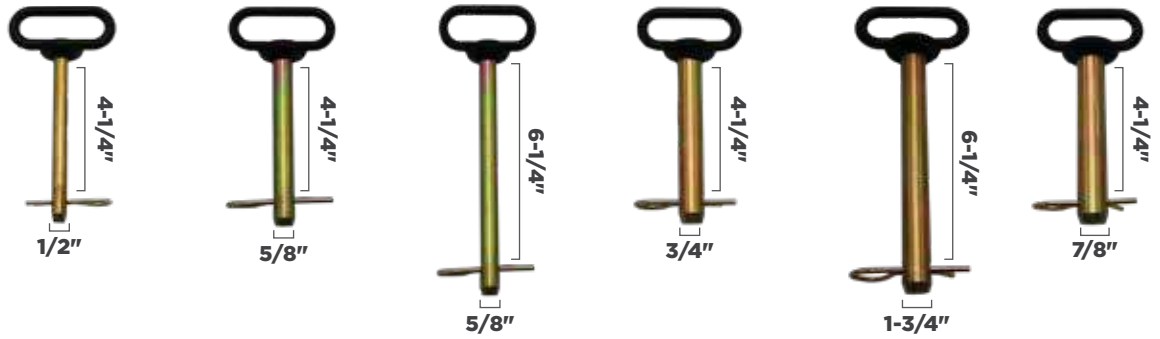
- Reduces jack sinkage on soft ground
- Convenient to use, easy to store
- Can be used with FJ-48 & FJ-60
- Durable foot plate increases support surface area and gives the jack more versatility



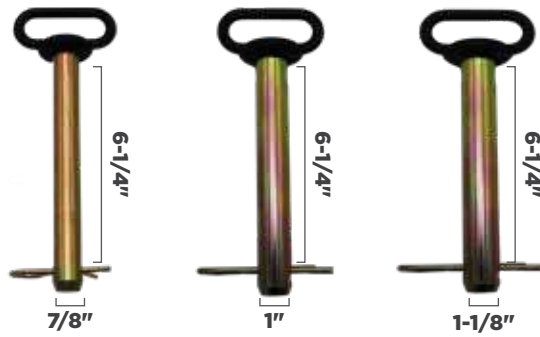
DESIGNED TO WORK WITH STANDARD LOZIER SHELVING UNITS
COLOR CODING AND ALPHABETICAL SYSTEM SIMPLIFIES
AND MAKES PROGRAM CONSUMER FRIENDLY

CONTACT US TODAY FOR INFORMATION AND PRICING ON OUR 8FT HITCH & LINKAGE PROGRAM.
RECEIVE THE MERCHANDISERS FREE WITH THE PURCHASE OF THE COMPLETE PROGRAM.

FORGED HEAD & ZINC PLATED FIXED HANDLE HITCH PINS



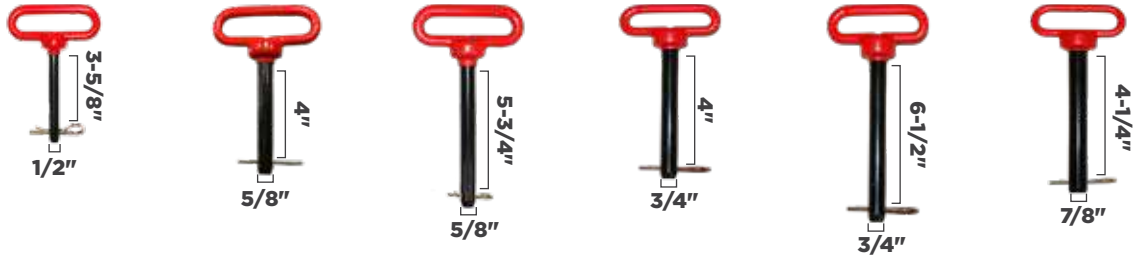
PART#	705HPF	702HPF	704HPF	703HPF	700HPF	709HPF
PIN DIAMETER	1/2"	5/8"	5/8"	3/4"	3/4"	7/8"
USABLE LENGTH	4-1/4"	4-1/4"	6-1/4"	4-1/4"	6-1/4"	4-1/4"
OVERALL LENGTH	5-1/4"	5-1/4"	7-1/4"	5-1/2"	7-1/4"	5-1/4"
UNIT WEIGHT (LBS)	0.40	0.55	0.8	0.75	1.00	1.00
ORDER MULTIPLES	5	5	5	5	5	5



PART#	701HPF	706HPF	707HPF
PIN DIAMETER	7/8"	1"	1-1/8"
USABLE LENGTH	6-1/4"	6-1/4"	6-1/4"
OVERALL LENGTH	7-1/4"	7-1/4"	7-1/4"
UNIT WEIGHT (LBS)	1.4	1.80	2.2
ORDER MULTIPLES	5	5	1

*ITEMS ARE SOLD ONLY IN THE ORDER MULTIPLES LISTED

GRADE 5 / EN8 HIGH STRENGTH STEEL RED HEAD HITCH PINS



PART#	705HPR	702HPR	704HPR	703HPR	700HPR	709HPR
PIN DIAMETER	1/2"	5/8"	5/8"	3/4"	3/4"	7/8"
USABLE LENGTH	3-5/8"	4"	5-3/4"	4"	6-1/2"	4-1/4"
OVERALL LENGTH	6-5/8"	7"	9"	7"	9-1/2"	7-1/4"
UNIT WEIGHT (LBS)	0.50	0.75	0.95	1.35	1.35	1.40
ORDER MULTIPLES	5	5	5	5	5	5



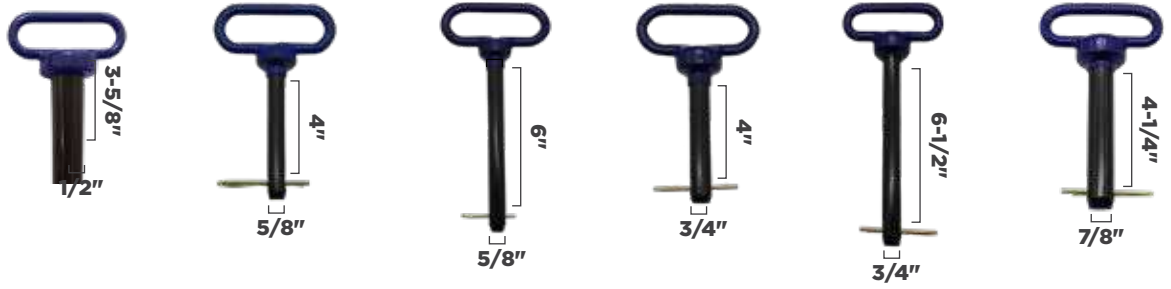
PART#	701HPR	714HPR	706HPR	712HPR	707HPR	708HPR
PIN DIAMETER	7/8"	1"	1"	1"	1-1/8"	1-1/4"
USABLE LENGTH	6-1/2"	4-3/4"	7-1/2"	12"	8-1/2"	8-1/2"
OVERALL LENGTH	9-1/2"	7-3/4"	10"	15"	11-1/2"	11-1/2"
UNIT WEIGHT (LBS)	1.75	1.80	2.45	3.35	3.30	3.95
ORDER MULTIPLES	5	5	5	5	1	1



PART#	713HPR	719HPR	717HPR	731HPR	732HPR
PIN DIAMETER	1-1/4"	1-1/2"	1-1/2"	1-3/4"	2"
USABLE LENGTH	12"	8-1/2"	13"	8-1/2"	8-1/2"
OVERALL LENGTH	15"	11-1/2"	16"	12"	12"
UNIT WEIGHT (LBS)	5.25	5.50	7.75	7.50	9.65
ORDER MULTIPLES	1	1	1	1	1

*ITEMS ARE SOLD ONLY IN THE ORDER MULTIPLES LISTED

**GRADE 8 / EN15 HEAT TREATED ALLOY STEEL
BLUE HEAD HITCH PINS**



PART#	705HPBLU	702HPBLU	704HPBLU	703HPBLU	700HPBLU	709HPBLU
PIN DIAMETER	1/2"	5/8"	5/8"	3/4"	3/4"	7/8"
USABLE LENGTH	3-5/8"	4"	6"	4"	6-1/2"	4-1/4"
OVERALL LENGTH	6-5/8"	7"	9"	7"	9-1/2"	7-1/4"
UNIT WEIGHT (LBS)	0.55	0.75	0.90	0.95	1.35	1.35
ORDER MULTIPLES	5	5	5	5	5	5

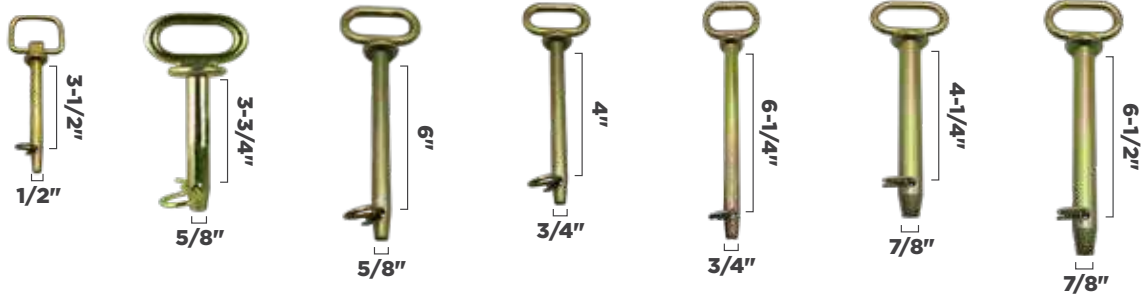


PART#	701HPBLU	714HPBLU	706HPBLU	707HPBLU	708HPBLU	719HPBLU
PIN DIAMETER	7/8"	1"	1"	1-1/8"	1-1/4"	1-1/2"
USABLE LENGTH	6-1/2"	4-3/4"	7"	7"	7"	8-1/2"
OVERALL LENGTH	9-1/2"	7-3/4"	10"	10"	10"	11-1/2"
UNIT WEIGHT (LBS)	1.75	1.85	2.35	3.40	3.85	5.55
ORDER MULTIPLES	5	5	5	1	1	1

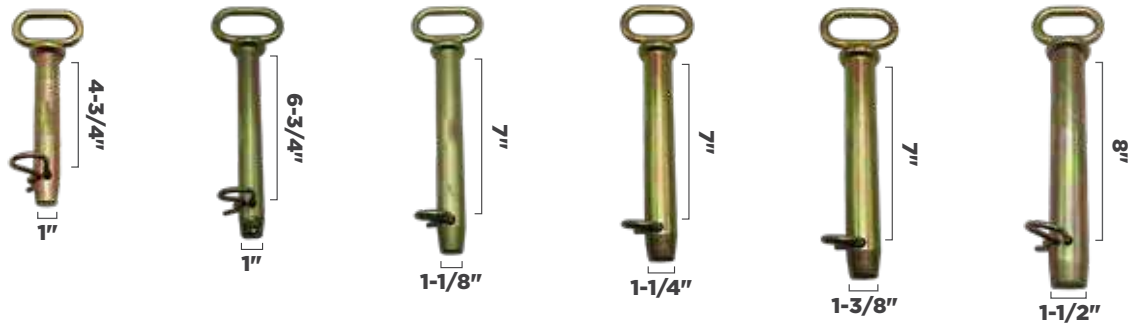
*ITEMS ARE SOLD ONLY IN THE ORDER MULTIPLES LISTED

GRADE 5 DROP FORGED HITCH PINS

FIXED HANDLE



PART#	705FFHP	702FFHP	704FFHP	703FFHP	700FFHP	709FFHP	701FFHP
PIN DIAMETER	1/2"	5/8"	5/8"	3/4"	3/4"	7/8"	7/8"
USABLE LENGTH	3-1/2"	3-3/4"	6"	4"	6-1/4"	4-1/4"	6-1/2"
OVERALL LENGTH	5-11/32"	6-5/16"	9-3/16"	7-7/16"	9-7/16"	7-3/4"	10-11/16"
HANDLE	WIRE	SOLID	SOLID	SOLID	SOLID	SOLID	SOLID
UNIT WEIGHT (LBS)	0.40	0.60	0.95	1.00	1.20	1.2	1.85
ORDER MULTIPLES	5	5	5	5	5	5	5



PART#	714FFHP	706FFHP	707FFHP	708FFHP	716FFHP	719FFHP
PIN DIAMETER	1"	1"	1-1/8"	1-1/4"	1-3/8"	1-1/2"
USABLE LENGTH	4-3/4"	6-3/4"	7"	7"	7"	8"
OVERALL LENGTH	8-17/32"	10-17/32"	11"	11-1/8"	11-27/32"	12-23/32"
HANDLE	SOLID	SOLID	SOLID	SOLID	SOLID	SOLID
UNIT WEIGHT (LBS)	1.75	2.20	2.85	3.50	4.6	5.70
ORDER MULTIPLES	5	5	1	1	1	1

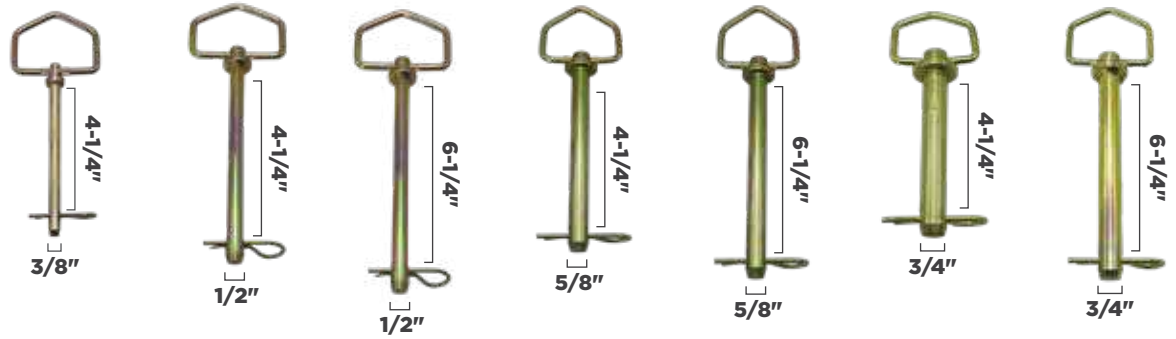
ORANGE FOLD OVER HANDLE



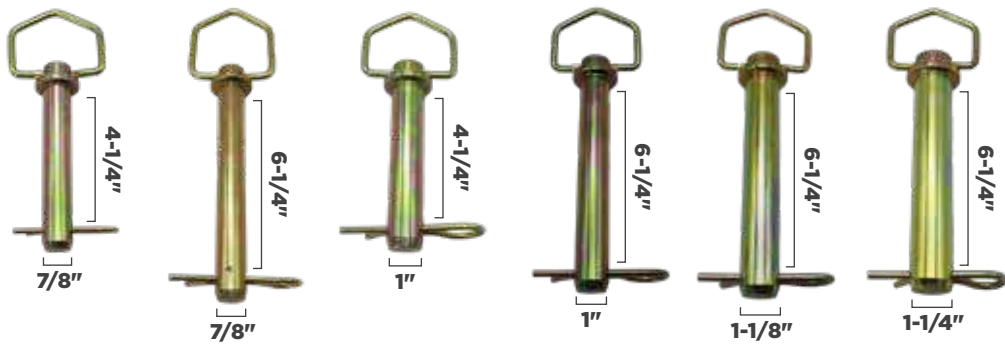
PART#	705FHP	700FHP	701FHP	706FHP	708FHP
PIN DIAMETER	1/2"	3/4"	7/8"	1"	1-1/4"
USABLE LENGTH	3-1/2"	6-1/4"	6-1/2"	6-3/4"	7"
OVERALL LENGTH	6-1/4"	9-1/4"	9-1/2"	9-3/4"	11-3/16"
UNIT WEIGHT (LBS)	0.45	1.20	1.55	2.10	3.15
ORDER MULTIPLES	5	5	5	5	1

*ITEMS ARE SOLD ONLY IN THE ORDER MULTIPLES LISTED

FORGED HEAD & ZINC PLATED SWIVEL HANDLE HITCH PINS



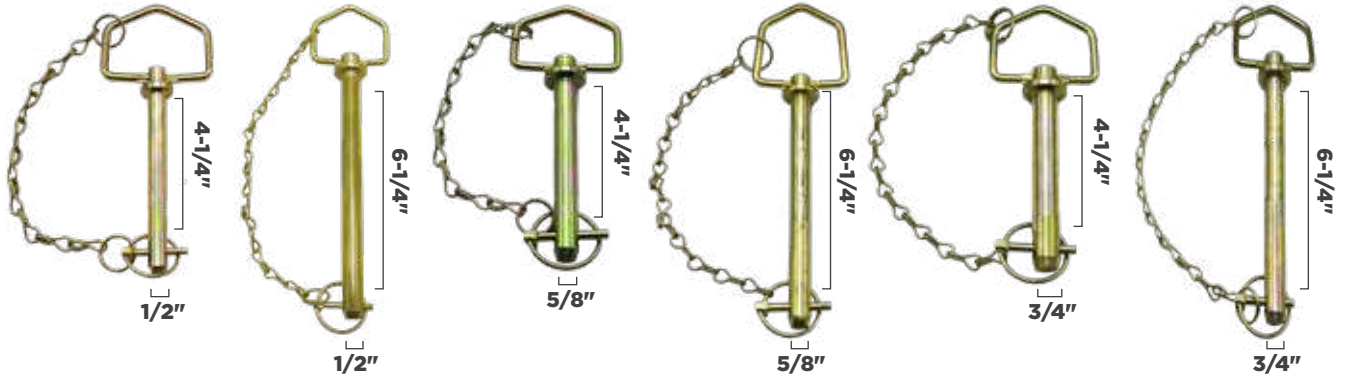
PART#	715HPC	705HPC	712HPC	702HPC	704HPC	703HPC	700HPC
PIN DIAMETER	3/8"	1/2"	1/2"	5/8"	5/8"	3/4"	3/4"
USABLE LENGTH	4-1/4"	4-1/4"	6-1/4"	4-1/4"	6-1/4"	4-1/4"	6-1/4"
OVERALL LENGTH	4-3/4"	5-3/4"	7-3/4"	5-3/4"	7-3/4"	5-3/4"	7-3/4"
UNIT WEIGHT (LBS)	0.30	0.4	0.55	0.6	0.85	0.85	1.15
ORDER MULTIPLES	5	5	5	5	5	5	5



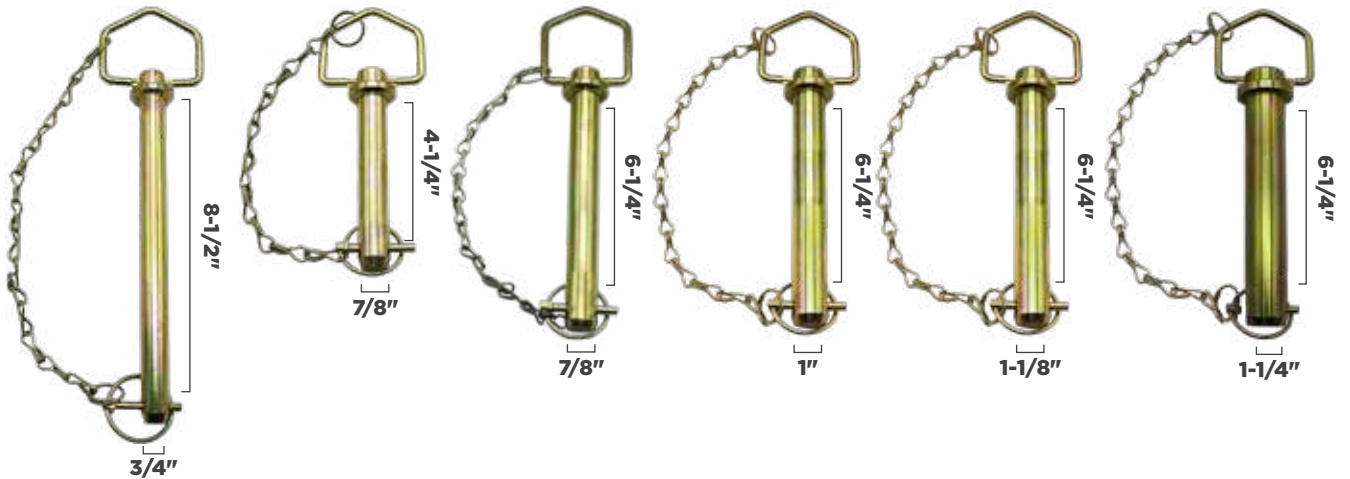
PART#	709HPC	701HPC	714HPC	706HPC	707HPC	708HPC
PIN DIAMETER	7/8"	7/8"	1"	1"	1-1/8"	1-1/4"
USABLE LENGTH	4-1/4"	6-1/4"	4-1/4"	6-1/4"	6-1/4"	6-1/4"
OVERALL LENGTH	5-3/4"	7-3/4"	5-3/4"	7-3/4"	7-3/4"	7-3/4"
UNIT WEIGHT (LBS)	1.15	1.50	1.50	1.90	2.40	2.95
ORDER MULTIPLES	5	5	5	5	1	1

*ITEMS ARE SOLD ONLY IN THE ORDER MULTIPLES LISTED

FORGED HEAD & ZINC PLATED HITCH PINS WITH CHAIN



PART#	705HP	712HP	702HP	704HP	703HP	700HP
PIN DIAMETER	1/2"	1/2"	5/8"	5/8"	3/4"	3/4"
USABLE LENGTH	4-1/4"	6-1/4"	4-1/4"	6-1/4"	4-1/4"	6-1/4"
OVERALL LENGTH	5-3/4"	7-3/4"	5-3/4"	7-3/4"	5-3/4"	7-3/4"
UNIT WEIGHT (LBS)	0.50	0.60	0.75	0.90	0.95	1.20
ORDER MULTIPLES	5	5	5	5	5	5



PART#	730HP	709HP	701HP	706HP	707HP	708HP
PIN DIAMETER	3/4"	7/8"	7/8"	1"	1-1/8"	1-1/4"
USABLE LENGTH	8-1/2"	4-1/4"	6-1/4"	6-1/4"	6-1/4"	6-1/4"
OVERALL LENGTH	10"	5-3/4"	7-3/4"	7-3/4"	7-3/4"	7-3/4"
UNIT WEIGHT (LBS)	1.45	1.20	1.55	1.95	2.5	3.0
ORDER MULTIPLES	5	5	5	5	1	1

*ITEMS ARE SOLD ONLY IN THE ORDER MULTIPLES LISTED

ZINC PLATED BENT HITCH PINS



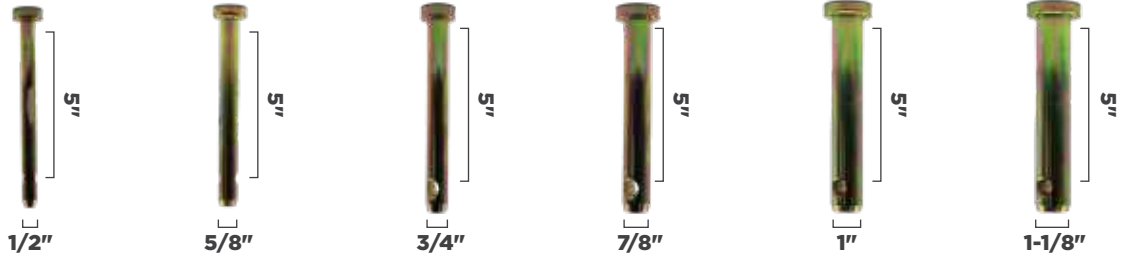
PART#	725HP	723HP	720HPS	720HP	720HPL	720HPXL
PIN DIAMETER	5/16"	3/8"	1/2"	1/2"	1/2"	1/2"
USABLE LENGTH	3"	3"	2-1/2"	3"	4"	5"
HAIR PIN	P-7923	P-7923	P-7924	P-7924	P-7924	P-7924
UNIT WEIGHT (LBS)	0.15	0.20	0.35	0.35	0.40	0.50
ORDER MULTIPLES	5	5	5	5	5	5



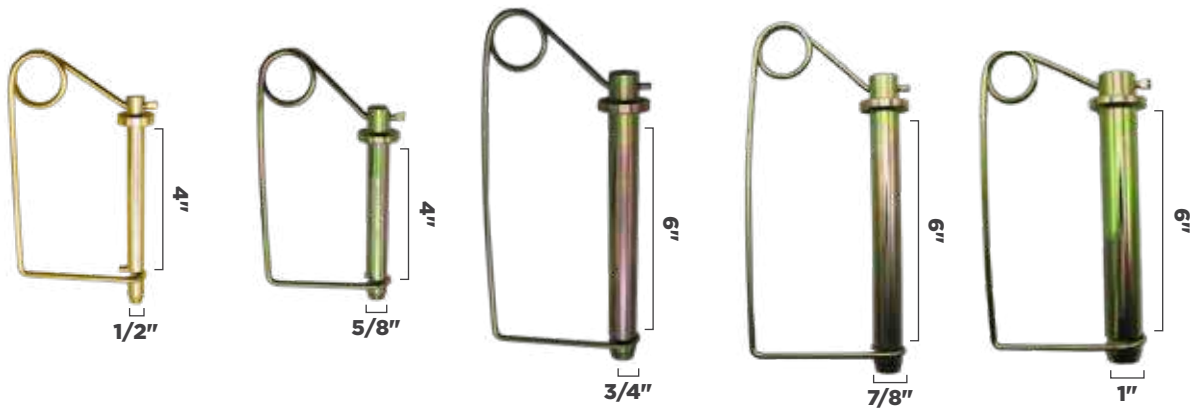
PART#	722HP	722HPL	722HPEL	722HPXL	721HP	721HPXL
PIN DIAMETER	5/8"	5/8"	5/8"	5/8"	3/4"	3/4"
USABLE LENGTH	3"	3-1/2"	4"	5"	3-1/2"	4-1/2"
HAIR PIN	P-7924	P-7924	P-7924	P-7924	P-7924	P-7924
UNIT WEIGHT (LBS)	0.60	0.55	0.70	0.76	0.90	1.05
ORDER MULTIPLES	5	5	5	5	5	5

*ITEMS ARE SOLD ONLY IN THE ORDER MULTIPLES LISTED

ZINC PLATED CLEVIS PINS & SAFETY LOCK PINS



PART#	6036	6037	6038	6039	6040	6041
PIN DIAMETER	1/2"	5/8"	3/4"	7/8"	1"	1-1/8"
USABLE LENGTH	5"	5"	5"	5"	5"	5"
OVERALL LENGTH	6-3/8"	6-3/8"	6-3/8"	6-3/8"	6-3/8"	6-3/8"
UNIT WEIGHT (LBS)	0.40	0.60		1.10	1.45	1.70
ORDER MULTIPLES	5	5	5	5	5	1



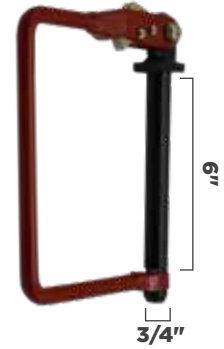
PART#	710HPW	711HPW	700HPW	701HPW	706HPW
PIN DIAMETER	1/2"	5/8"	3/4"	7/8"	1"
USABLE LENGTH	4"	4"	6"	6"	6"
OVERALL LENGTH	5-1/2"	5-1/2"	7-1/2"	7-1/2"	7-1/2"
UNIT WEIGHT (LBS)	0.50	0.65	1.10	1.50	1.85
ORDER MULTIPLES	5	5	5	5	5

*ITEMS ARE SOLD ONLY IN THE ORDER MULTIPLES LISTED

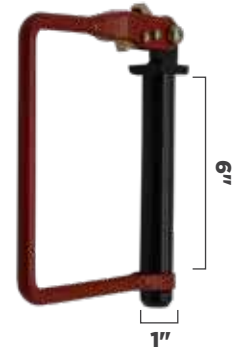
GRADE 5 / EN8 DOUBLE LOCK HITCH PINS WITH QUICK RELEASE HANDLE



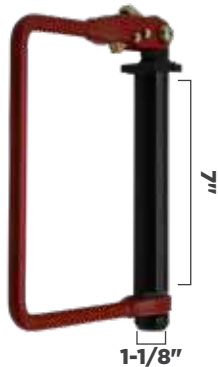
DOUBLE LOCKING MECHANISM



PART#	702HPDL	703HPDL	700HPDL
PIN DIAMETER	5/8"	3/4"	3/4"
USABLE LENGTH	4-1/2"	4-1/2"	6"
UNIT WEIGHT (LBS)	2.10	2.25	2.60
ORDER MULTIPLES	5	5	5



PART#	709HPDL	701HPDL	706HPDL
PIN DIAMETER	7/8"	7/8"	1"
USABLE LENGTH	4-1/2"	6"	6"
UNIT WEIGHT (LBS)	2.60	2.95	3.25
ORDER MULTIPLES	5	5	5



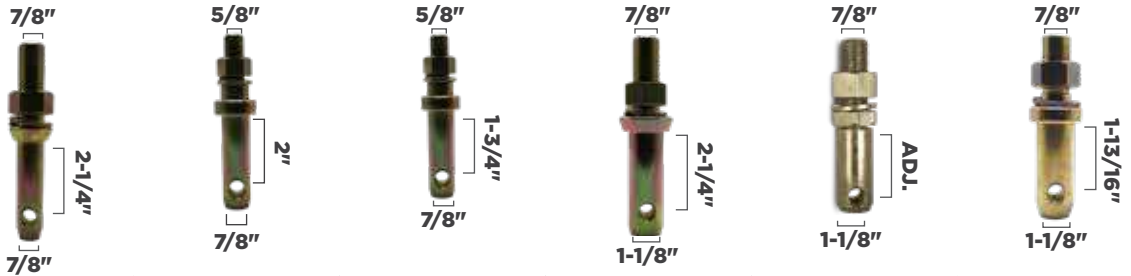
PART#	707HPDL	708HPDL	719HPDL
PIN DIAMETER	1-1/8"	1-1/4"	1-1/2"
USABLE LENGTH	7"	7"	8"
UNIT WEIGHT (LBS)	4.05	4.70	6.45
ORDER MULTIPLES	1	1	1

*ITEMS ARE SOLD ONLY IN THE ORDER MULTIPLES LISTED

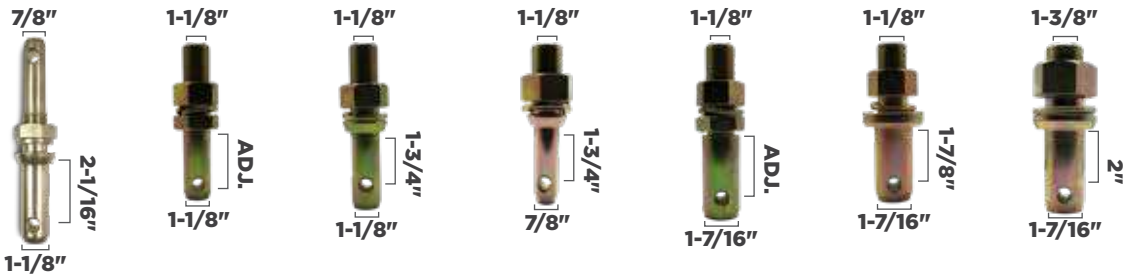
FORGED YELLOW ZINC DICHROMATE LIFT ARM PINS



PART#	149IP	150IP	151IP	152IP	159IP	161IP
CATEGORY	0	1	1	1	1	1
PIN DIAMETER	5/8"	7/8"	7/8"	7/8"	7/8"	7/8"
USABLE LENGTH	ADJUSTABLE	ADJUSTABLE	ADJUSTABLE	1-3/4"	ADJUSTABLE	ADJUSTABLE
OVERALL LENGTH	3-7/8"	4-5/8"	5"	5-1/2"	6-1/4"	6-1/2"
THREAD DIA.	5/8" NF	7/8" NF	7/8" NF	7/8" NF	7/8" NF	7/8" NF
UNIT WEIGHT (LBS)	0.80	0.65	1.10	1.10	1.25	1.8
ORDER MULTIPLES	5	5	5	5	5	5



PART#	153IP	164IP	163IP	156IP	154IP	155IP
CATEGORY	1	1	1	1 TO 2	1 TO 2	1 TO 2
PIN DIAMETER	7/8"	7/8"	7/8"	1-1/8"	1-1/8"	1-1/8"
USABLE LENGTH	2-1/4"	2"	1-3/4"	2-1/4"	ADJUSTABLE	1-13/16"
OVERALL LENGTH	6-1/2"	5"	4-1/2"	6-5/16"	5-1/4"	5-1/4"
THREAD DIA.	7/8" NF	5/8" NF	5/8" NF	7/8" NF	7/8" NF	7/8" NF
UNIT WEIGHT (LBS)	1.30	0.85		1.70	1.35	1.45
ORDER MULTIPLES	5	5	5	5	5	5



PART#	162IP	160IP	157IP	165IP	167IP	166IP	168IP
CATEGORY	1 & 2	2	2	2 TO 1	2 TO 3	2 TO 3	3
PIN DIAMETER	1-1/8" & 7/8"	1-1/8"	1-1/8"	7/8"	1-7/16"	1-7/16"	1-7/16"
USABLE LENGTH	2-1/16" BOTH	ADJUSTABLE	1-3/4"	1-3/4"	ADJUSTABLE	1-7/8"	2"
OVERALL LENGTH	8"	6-1/8"	6-1/8"	5-3/4"	6-1/2"	5-3/4"	5-7/8"
THREAD DIA.	1" NF	1-1/8" NF	1-1/8" NF	1-1/8" NF	1-1/8" NF	1-1/8" NF	1-3/8" NF
UNIT WEIGHT	2.00	2.20	2.15	1.80	2.80	2.80	3.50
ORDER MULTIPLES	5	5	5	5	5	5	5

*ITEMS ARE SOLD ONLY IN THE ORDER MULTIPLES LISTED

FORGED YELLOW ZINC DICHROMATE LIFT ARM PINS (SPECIALTY)



PART#	170IP	112P	113P	171IP	172IP
CATEGORY	1	1-2	1-2-1	2	2
TYPE	ROLL PIN	STEPPED PIN	STEPPED PIN	ROLL PIN	ROLL PIN
PIN DIAMETER	7/8"	7/8"-1-1/8"	7/8"-1-1/8"	1-1/8"	1-1/8"
USABLE LENGTH	4-1/2"	3"	2-7/8"	3-5/16"	4-3/4"
OVERALL LENGTH	6"	7-1/2"	8-3/8"	4-3/4"	6-1/2"
UNIT WEIGHT (LBS)		1.45	1.55	1.25	1.75
ORDER MULTIPLES	5	5	5	5	5



PART#	173IP	174IP	175IP	169IP	176IP	116P
CATEGORY	2	2	2	3	3	2 & 3
TYPE	ROLL PIN	ROLL PIN	ROLL PIN	HEAD	ROLL PIN	HEAD
PIN DIAMETER	1-1/8"	1-1/8"	1-1/8"	1-7/16"	1-7/16"	1-1/8" & 1-7/16"
USABLE LENGTH	5-3/8"	7-3/8"	9"	4-11/16"	6-1/4"	3-5/8" & 4-1/4"
OVERALL LENGTH	7"	9"	10-3/4"	6"	8-1/2"	9-1/4"
UNIT WEIGHT (LBS)	1.90	2.45	2.95	2.80	3.80	3.30
ORDER MULTIPLES	5	5	5	5	5	5

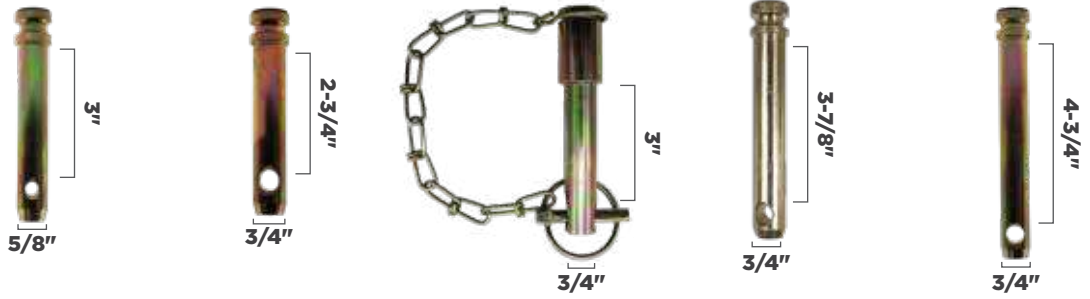
STABILIZER PINS



PART#	780P	781P	785P	787P	788P
PIN DIAMETER	7/8"	7/8"	7/8"	7/8"	7/8"
USABLE LENGTH	1/2"	3/8"	1-1/4"	1/2"	11/16"
OVERALL LENGTH	3-3/8"	2-5/8"	3-1/8"	2-5/8"	3-1/8"
THREAD DIA.	7/8" NF	5/8" NF	5/8" NF	5/8" NF	3/4" NF
UNIT WEIGHT (LBS)	0.80	0.40	0.40	0.40	0.55
ORDER MULTIPLES	5	5	5	5	5

*ITEMS ARE SOLD ONLY IN THE ORDER MULTIPLES LISTED
*ITEMS ARE SOLD ONLY IN THE ORDER MULTIPLES LISTED

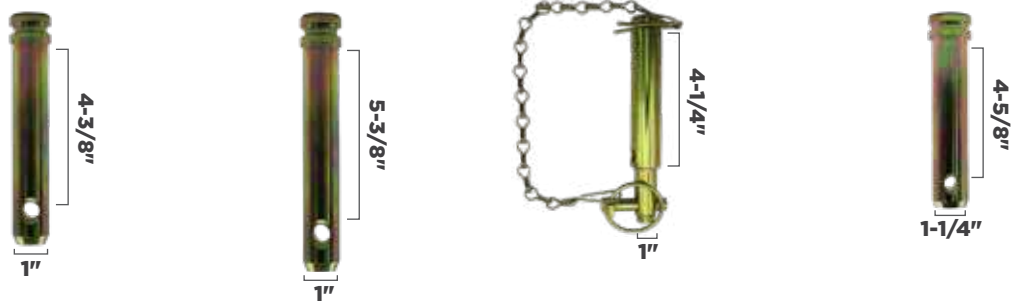
FORGED YELLOW ZINC DICHROMATE TOP LINK PINS



PART#	104P	105P	115P	107P	110P
CATEGORY	0	1	1	1	1
PIN DIAMETER	5/8"	3/4"	3/4"	3/4"	3/4"
USABLE LENGTH	3"	2-3/4"	3"	3-7/8"	4-3/4"
OVERALL LENGTH	4-7/16"	4-1/2"	5-1/4"	5-1/2"	6-3/8"
UNIT WEIGHT	0.35	0.55	0.90	0.65	0.75
ORDER MULTIPLES	5	5	5	5	5



PART#	114P	111P	106P	103P
CATEGORY	1-2	1-2	2	2
PIN DIAMETER	3/4"-1"	3/4"-1"	1"	1"
USABLE LENGTH	3-5/16"	3-9/16"	3-9/16"	3"
OVERALL LENGTH	5-1/2"	6-3/4"	5-1/4"	4-3/4"
UNIT WEIGHT (LBS)	0.90	1.10	1.10	1.05
ORDER MULTIPLES	5	5	5	5



PART#	108P	117P	118P	109P
CATEGORY	2	2	2	3
PIN DIAMETER	1"	1"	1"	1-1/4"
USABLE LENGTH	4-3/8"	5-3/8"	4-1/4"	4-5/8"
OVERALL LENGTH	6"	7-1/16"	6-1/8"	6-1/2"
UNIT WEIGHT (LBS)	1.30	1.55	1.35	2.30
ORDER MULTIPLES	5	5	5	5

*ITEMS ARE SOLD ONLY IN THE ORDER MULTIPLES LISTED

FORGED ZINC PLATED TOP LINKS

CATEGORY 0



CATEGORY 1



CATEGORY 1



CATEGORY 1



CATEGORY 1



CATEGORY 1 & 2

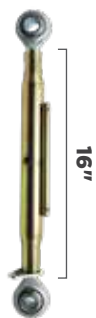


PART#	204TL	205TL	206TL	207TL	212TL	208TL
CATEGORY	0	1	1	1	1	1 & 2
PIN HOLE SIZE	5/8"	3/4"	3/4"	3/4"	3/4"	3/4" & 1"
THREADS	3/4" NC	1-1/8" NC	1-1/8" NC	1-1/8" NC	1-1/8" NC	1-1/8" NC
BODY LENGTH	7-5/8"	13-1/4"	16"	20"	24"	16"
CLOSED LENGTH	11"	17"	21"	25"	29"	21"
OPEN LENGTH	16"	26"	31"	35"	39"	32"
UNIT WEIGHT (LBS)	2.50	7.40	7.60	9.10	8.90	9.10
ORDER MULTIPLES	1	1	1	1	1	1

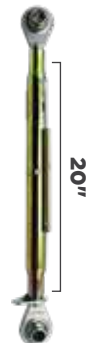
CATEGORY 1 & 2



CATEGORY 2



CATEGORY 2



CATEGORY 2



CATEGORY 2



CATEGORY 3



PART#	213TL	209TL	210TL	209TLHD	210TLHD	250TLA
CATEGORY	1 & 2	2	2	2	2	3
PIN HOLE SIZE	3/4" & 1"	1"	1"	1"	1"	1-1/4"
THREADS	1-1/8" NC	1-1/8" NC	1-1/8" NC	1-1/4" NC	1-1/4" NC	1-3/8" NC
BODY LENGTH	20"	16"	20"	15-3/4"	20"	19-1/2"
CLOSED LENGTH	25"	21"	25"	20"	27"	25-1/2"
OPEN LENGTH	35"	31"	37"	30"	37"	37"
UNIT WEIGHT (LBS)	10.10	10.00	10.00	10.70	12.60	20.00
ORDER MULTIPLES	1	1	1	1	1	1

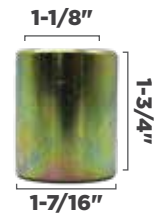
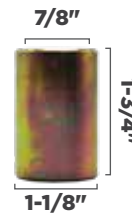
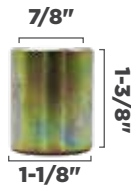
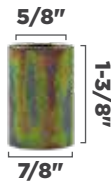
*ITEMS ARE SOLD ONLY IN THE ORDER MULTIPLES LISTED

TOP LINK REDUCER BUSHINGS



CATEGORY	1-0	2-1	2-1	3-2
OUTSIDE DIA.	3/4"	1"	1"	1-1/4"
INSIDE DIA.	5/8"	3/4"	3/4"	1"
LENGTH	1-5/8"	1-5/8"	1-15/16"	1-15/16"
UNIT WEIGHT (LBS)	0.05	0.15	0.20	0.20
ORDER MULTIPLES	5	5	5	5
BASE #	474RB	478SRB	478RB	480RB
RETAIL BAG OF 2	474RBB2		478RBB2	480RBB2

LIFT ARM REDUCER BUSHINGS



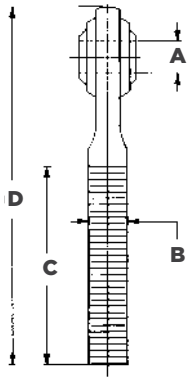
CATEGORY	1-0	2-1	2-1	3-2
OUTSIDE DIA.	7/8"	1-1/8"	1-1/8"	1-7/16"
INSIDE DIA.	5/8"	7/8"	7/8"	1-1/8"
LENGTH	1-3/8"	1-3/8"	1-3/4"	1-3/4"
UNIT WEIGHT (LBS)	0.10		0.20	
ORDER MULTIPLES	5	5	5	5
BASE #	475RB	477SRB	477RB	479RB
RETAIL BAG OF 2	475RBB2		477RBB2	479RBB2



CATEGORY	3-2	3-2	3-2
OUTSIDE DIA.	1-7/16"	1-7/16"	1-7/16"
INSIDE DIA.	1-1/8"	1-1/8"	1-1/8"
LENGTH	2-1/2"	2-3/4"	3-1/4"
UNIT WEIGHT (LBS)		0.50	
ORDER MULTIPLES	5	5	5
BASE #	481RB	482RB	483RB
RETAIL BAG OF 2	481RBB2		

*ITEMS ARE SOLD ONLY IN THE ORDER MULTIPLES LISTED

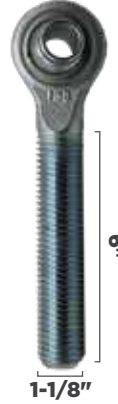
TOPLINK THREADED REPAIR ENDS



CATEGORY 1



CATEGORY 1



CATEGORY 2



CATEGORY 2



PART#	400BE	401BE	406BE	407BE
CATEGORY	1	1	2	2
TYPE	FORGED	FORGED	FORGED	FORGED
A	3/4"	3/4"	1"	1"
B	1-1/8" NC (LH)	1-1/8" NC (RH)	1-1/4" NC (LH)	1-1/4" NC (RH)
C	6"	6"	5-1/2"	5-1/2"
D	10"	10"	10"	10"
UNIT WEIGHT (LBS)	2.40	2.40	3.00	3.00
ORDER MULTIPLES	1	1	1	1

CATEGORY 2



CATEGORY 2



CATEGORY 3

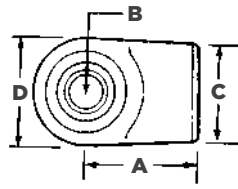
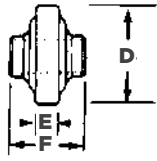
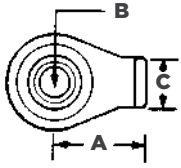


CATEGORY 3



PART#	403BE	402BE	405BE	404BE
CATEGORY	2	2	3	3
TYPE	FORGED	FORGED	FORGED	FORGED
A	1"	1"	1-1/4"	1-1/4"
B	1-1/8" NC (RH)	1-1/8" NC (LH)	1-3/8" NC (RH)	1-3/8" NC (LH)
C	6-1/2"	6-1/2"	7-1/4"	7-1/4"
D	11"	11"	12-1/8"	12-1/8"
UNIT WEIGHT (LBS)	3.00	8.00	8.00	8.00
ORDER MULTIPLES	1	1	1	1

*ITEMS ARE SOLD ONLY IN THE ORDER MULTIPLES LISTED



- High-quality, weld-on top link and lift arm ball sockets in Category 1, 2, & 3 sizes
- Lift arm ends are available in straight and bent styles

**TOP LINK END
CATEGORY 1**

**TOP LINK END
CATEGORY 2**

**LIFT ARM END
CATEGORY 1**

**LIFT ARM END
CATEGORY 1**



1-1/8"



1-1/8"



2-3/8"



1-7/8"

PART #	480E	481E	482E	485E
CATEGORY	1	2	1	1
DESCRIPTION	STRAIGHT	STRAIGHT	STRAIGHT	BENT
A	2"	2-3/8"	2-3/4"	4"
B	3/4"	1"	7/8"	7/8"
C	1-1/8"	1-1/8"	2-3/8"	1-7/8"
D	2-1/4"	2-5/8"	2-5/8"	2-5/8"
E	1/2"	1/2"	5/8"	5/8"
F	1-3/4"	1-3/4"	1-3/8"	1-3/4"
ORDER MULTIPLES	1	1	1	1

**LIFT ARM END
CATEGORY 2**

**LIFT ARM END
CATEGORY 2**

**LIFT ARM END
CATEGORY 3**



2-3/4"



1-7/8"

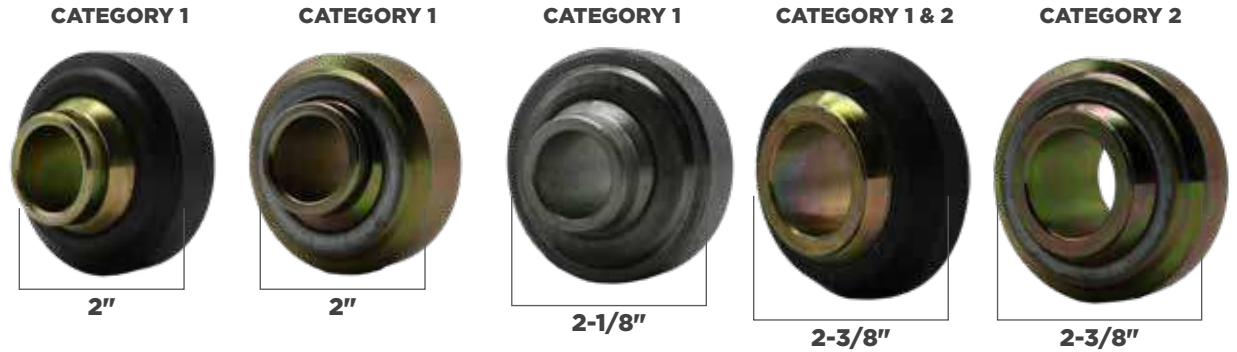
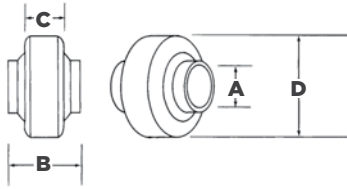


3"

PART #	483E	484E	487E
CATEGORY	2	2	3
DESCRIPTION	STRAIGHT	BENT	STRAIGHT
A	3-1/8"	4"	3-3/8"
B	1-1/8"	1-1/8"	1-7/16"
C	2-3/4"	1-7/8"	3"
D	3-1/8"	3-1/8"	3-1/2"
E	3/4"	5/8"	3/4"
F	1-3/4"	1-3/4"	1-3/4"
ORDER MULTIPLES	1	1	1

*ITEMS ARE SOLD ONLY IN THE ORDER MULTIPLES LISTED

TOPLINK BALL SOCKETS

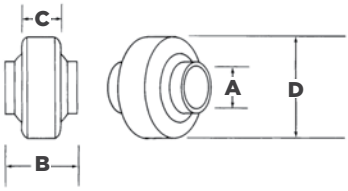


PART#	B-213B	B-213	B-212	B-235	B-228
CATEGORY	1	1	1	1 & 2	2
DESCRIPTION	BLACK OXIDE	PLATED	HD PLATED	BLACK OXIDE	PLATED
A	3/4"	3/4"	3/4"	3/4" & 1"	1"
B	1-5/8"	1-5/8"	1-5/8"	1-1/2" & 1-1/4"	1-1/4"
C	3/4"	3/4"	7/8"	7/8"	7/8"
D	2"	2"	2-1/8"	2-3/8"	2-3/8"
UNIT WEIGHT (LBS)	0.60	0.60	0.70	0.60	0.80
ORDER MULTIPLES	2	2	2	2	2



PART#	B-214B	B-214	B-2219	B-2229
CATEGORY	2	2	2	3
DESCRIPTION	BLACK OXIDE	PLATED	HD BLACK OXIDE	BLACK OXIDE
A	1"	1"	1"	1-1/4"
B	1-3/4"	1-3/4"	1-3/4"	1-3/4"
C	7/8"	7/8"	1-3/16"	1-9/32"
D	2-3/8"	2-3/8"	2-3/4"	3-1/8"
UNIT WEIGHT (LBS)	0.80	0.80	1.80	1.80
ORDER MULTIPLES	2	2	2	2

*ITEMS ARE SOLD ONLY IN THE ORDER MULTIPLES LISTED



CATEGORY 1



2-3/8"

CATEGORY 1



2-3/8"

CATEGORY 2



2-3/8"

PART#	B-221B	B-221	B-222
CATEGORY	1	1	2
DESCRIPTION	BLACK OXIDE	PLATED	PLATED
A	7/8"	7/8"	1-1/8"
B	1-3/8"	1-3/8"	1-5/16"
C	7/8"	7/8"	15/16"
D	2-3/8"	2-3/8"	2-3/8"
UNIT WEIGHT (LBS)	0.90	0.90	0.85
ORDER MULTIPLES	2	2	2

CATEGORY 2



3-1/8"

CATEGORY 2



3-1/8"

CATEGORY 3

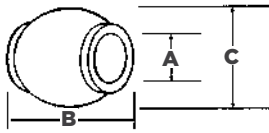


3-1/2"

PART#	B-2215	B-2216	B-2231
CATEGORY	2	2	3
DESCRIPTION	EXTRA HD, BLACK OXIDE	EXTRA HD, PLATED	BLACK OXIDE
A	1-1/8"	1-1/8"	1-7/16"
B	1-3/4"	1-3/4"	1-3/4"
C	1-3/8"	1-3/8"	1-11/32"
D	3-1/8"	3-1/8"	3-1/2"
UNIT WEIGHT (LBS)	2.20	1.90	2.60
ORDER MULTIPLES	2	2	2

*ITEMS ARE SOLD ONLY IN THE ORDER MULTIPLES LISTED

TOP LINK BALLS



CATEGORY 1



1-3/4"

CATEGORY 2



1-3/4"

PART#	B-241	B-242
CATEGORY	1	2
DESCRIPTION	JOHN DEERE & OLIVER	JOHN DEERE & OLIVER
A	3/4"	1"
B	1-3/4"	1-3/4"
C	2"	2"
UNIT WEIGHT (LBS)	0.95	0.80
ORDER MULTIPLES	1	1

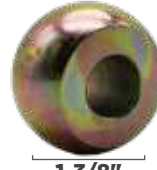
LIFT ARM BALL SOCKETS

CATEGORY 1



1-3/8"

CATEGORY 1



1-3/8"

CATEGORY 2



1-3/4"

PART#	454B	450B	453B
CATEGORY	1	1	2
DESCRIPTION	OLIVER	FORD	OLIVER
A	7/8"	7/8"	1-1/8"
B	1-3/8"	1-3/8"	1-3/4"
C	2"	2-1/4"	2"
UNIT WEIGHT (LBS)			
ORDER MULTIPLES	1	1	1

CATEGORY 2



1-3/8"

CATEGORY 2



1-3/8"

CATEGORY 2

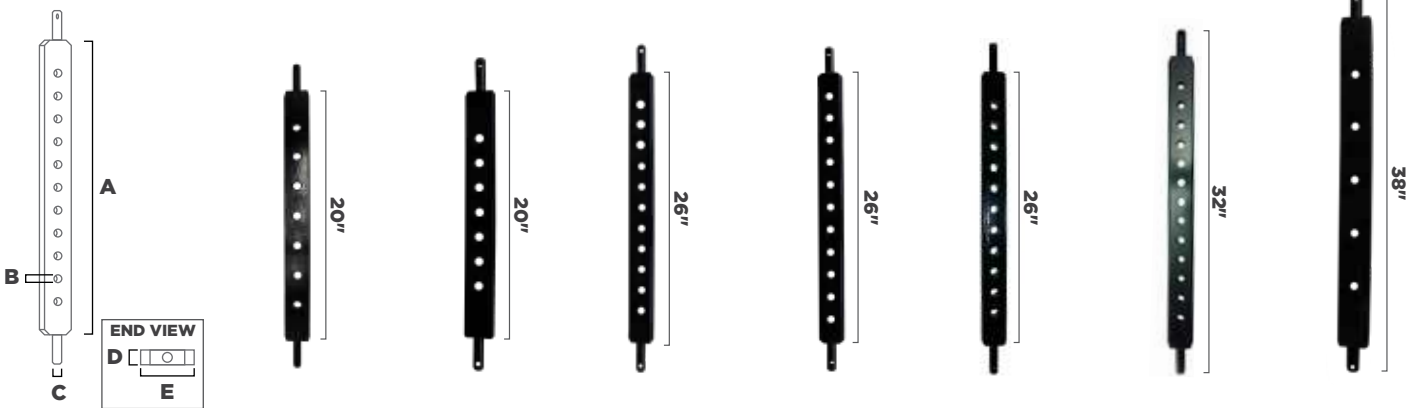


1-3/4"

PART#	451B	451BH	452B
CATEGORY	2	2	2
DESCRIPTION	FORD	FORD	FORD
A	1-1/8"	1-1/8"	1-1/8"
B	1-3/8"	1-3/8"	1-3/4"
C	2-1/4"	2-1/4"	2-1/4"
UNIT WEIGHT (LBS)			
ORDER MULTIPLES	1	1	1

*ITEMS ARE SOLD ONLY IN THE ORDER MULTIPLES LISTED

CATEGORY 0 CATEGORY 0/1 CATEGORY 1 CATEGORY 1 CATEGORY 2 CATEGORY 2 CATEGORY 3



PART#	1005DB	1000DB	1002DB	1004DB	1003DB	1001DB	1008DB
CATEGORY	0	0/1	1	1	2	2	3
NO. OF HOLES	7	7	11	11	11	13	5
LIFT ARM SPACING	20"	20"	26"	26"	26"	32"	38"
HOLE DIA.	5/8"	3/4"	3/4"	3/4"	3/4"	3/4"	1-1/4"
PIN DIA.	3/4"	7/8"	7/8"	7/8"	1-1/8"	1-1/8"	1-7/16"
THICKNESS	5/8"	1"	1"	1-1/8"	1-1/4"	1-1/4"	1-3/4"
WIDTH	2"	2-1/2"	2-1/2"	2-1/2"	3"	3"	3-1/2"
COLOUR	BLACK	BLACK	BLACK	BLACK	BLACK	BLACK	BLACK
UNIT WEIGHT (LBS)	13.50	13.50	16.40	18.25	27.00	33.00	65.00
ORDER MULTIPLES	1	1	1	1	1	1	1

DRAWBAR HOOK
FOR ALL TRACTOR DRAWBARS UP TO 1-5/8" THICK; FOR USE WITH 5/16" TO 1/2" CHAIN
 PART# 64.038.002



UNIVERSAL STABILIZER BRACKET
LH & RH. 5/8" X 1" SLOTTED HOLE, 4-5/8" MOUNTING HOLES
 PART# SB-631



DRAWBAR LOCK
 PART# BEDBL2



SWINGING DRAWBAR
FITS ALL TRACTOR MODELS
 PART# SD-921



*ITEMS ARE SOLD ONLY IN THE ORDER MULTIPLES LISTED

STABILIZER ARMS

UPPER STAY STRAP FOR CAT 1

FITS: ALL FERGUSON MODELS, FORD 2N, 8N, 9N, NAA, 600, 700, 800, 900, OLIVER 550 & ALL OLIVER 3-POINT CONVERSIONS, MASSEY-FERGUSON 35 & 50
WEIGHT: 2.8LBS

PART# 304S



LOWER STAY STRAP FOR CAT 1

FITS: ALL FERGUSON MODELS. FORD 2N, 8N, 9N, NAA, 600, 700, 800, 900, OLIVER 550 & ALL OLIVER 3-POINT CONVERSIONS, MASSEY-FERGUSON 35 & 50
WEIGHT: 2.4LBS

PART# 303S



RIGHT OR LEFT UNIVERSAL STABILIZER ARM

7/8" PIN HOLES ON 31-9/16" CENTERS
WEIGHT: 6LBS

PART# 301S



RIGHT OR LEFT UNIVERSAL STABILIZER ARM

REPLACES MASSEY-FERGUSON ST96362358; 7/8" PIN HOLES ON 33-1/8" CENTERS

WEIGHT: 6.4LBS

PART# 302S



HEAVY-DUTY ADJUSTABLE FORGED STABILIZER ARM

FITS: ALL FERGUSON MODELS, FORD 2N, 8N, 9N, NAA, 600, MASSEY-FERGUSON 35, 50, 175, 65, 135, 150, 165, 180; ADJUSTABLE FROM 28-1/2" TO 36" ; 7/8" PIN HOLES; 7/8" NF THREADS
WEIGHT: 6LBS

PART# 300S



UNIVERSAL STABILIZER ARM

7/8" PIN HOLES ON 31-9/16" AND 33-1/8" CENTERS; 3 HOLE
WEIGHT: 6.1LBS

PART# 309S



PAIR OF UNIVERSAL STABILIZER CHAINS

FOR MOST CATEGORY 1 APPLICATIONS;
YELLOW ZINC PLATED
WEIGHT: 14LBS

PART# 310S



CATEGORY 1 RIGHT- OR LEFT-HAND FORGED LIFT ARM

FITS: ALL FERGUSON MODELS, FORD 2N, 8N, 9N, NAA, MASSEY-FERGUSON 35, 50, OLIVER 550 AND OLIVER 3-POINT CONVERSION, JOHN DEERE 1010; 7/8" PIN HOLES; 31-3/4" BALL CENTERS; 34-1/2" OVERALL LENGTH
WEIGHT: 11.7LBS

PART# 486E



CATEGORY 1 LIFT ARM LEVELING ASSEMBLY

18-1/2" CLOSED; 25" OPEN LENGTH;
7/8" NF THREAD DIAMETER; REPLACES FORD NCA577A
WEIGHT: 6LBS

PART# 351JA



COMPLETE CAT 1

3PT HITCH ASSEMBLY

PART# 10003PT



CHECK-CHAIN CLEVIS EYE BOLT

USED TO FASTEN CHECK-CHAIN TO LIFT ARMS; REPLACES FORD NCB660A; FITS FERGUSON 20 & 30; ASSEMBLED WITH 9/16" NF HEX NUT
WEIGHT: 0.4LBS

PART# 1641K



CHECK-CHAIN CLEVIS

USED TO FASTEN CHECK-CHAIN TO TRACTOR;
REPLACES FORD 9N582;

FITS MF 20, 30, 35, 40 AND 50
WEIGHT: 0.1LBS

PART# 1642K



**QUICK HITCH ADAPTER BUSHING KIT
CATEGORY 1
PART# QK1-B**



**QUICK HITCH ADAPTER BUSHING KIT
CATEGORY 2
PART# QK2-B**



**QUICK HITCH ADAPTER BUSHING
CATEGORY 2
PART# 473RB**



**ROLL PINS
FOR QUICK HITCH ADAPTER BUSHINGS
2PC - 12MM X 35MM
PART# QK-RP**



**QUICK HITCH TOP LINK ADAPTER
BRACKET
CATEGORY 1
PART# QK1-A**



**QUICK HITCH MOUNT PIN
CATEGORY 1
PART# QK1-C**



**QUICK HITCH MOUNT PIN
CATEGORY 2
PART# QK2-C**



**QUICK HITCH MOUNT PIN
CATEGORY 2, 3
PART# QK2-3-C**



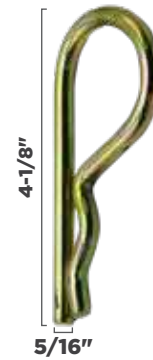
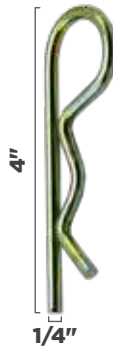
**QUICK HITCH MOUNT PIN
CATEGORY 3
PART# QK3-C**



ZINC PLATED HAIR PINS



SIZE	1/16" X 1-9/16"		3/32" X 1-5/8"		1/8" X 1-15/16"		5/32" X 2-15/16"		3/16" X 3-7/32"	
FITS PIN DIA	3/8" - 1/2"		1/4" - 1/2"		1/2" - 3/4"		5/8" - 1"		7/8" - 1"	
BASE #	P-7922		P-7923		P-7924		P-7925		P-7926	
RETAIL BAG			P-7923B12 12PC		P-7924B8 8PC		P-7925B7 7PC			
RETAIL CLAMSHELL	P-7922BP20 20PC		P-7930 22PC		P-7933 8PC		P-7932 7PC			



SIZE	3/16" X 3-3/4"		1/4" X 4"		5/16" X 3-1/2"		5/16" X 4-1/8"		5/16" X 5-15/16"	
FITS PIN DIA	7/8" - 1-1/4"		3/4" - 1"		1" - 1-7/16"		1" - 1-7/16"		1" - 1-7/16"	
BASE #	P-7927		P-7928		P-7940		P-7929S		P-7929	
RETAIL BAG	P-7927B3 3PC		P-7928B2 2PC				P-7929SB2 2PC		P-7929B2 2PC	
RETAIL CLAMSHELL	P-7931 4PC		P-7928BP2 2PC						P-7935 1PC	



CONTAINS:
P-7923, P-7924,
P-7925, P-7927

AVAILABLE IN THE MOST POPULAR SIZES FOR FARM AND OTHER APPLICATIONS.

YELLOW ZINC DICHROMATE PLATED SPRING WIRE.

SIZE	1/8" X 2-1/2"		3/16" X 4-3/32"		4 SIZES - 15PCS	
FITS PIN DIA	1/2" - 3/4"		7/8" - 1-1/4"			
BASE #	P-7995		P-7997			
RETAIL BAG						
RETAIL CLAMSHELL					P-7936	



P-7925B7



P-7932

*BASE # ARE SOLD IN MULTIPLES OF 100 ONLY

ZINC PLATED OR BLACK POWDER COATED LYNCH PINS



SIZE	3/16" X 1"	3/16" X 1"	1/4" X 1-1/4"	5/16" X 1-1/4"	3/8" X 1-1/4"
UNIT WEIGHT (LBS)	0.05	0.05	0.10	0.05	0.10
BASE #	804LP	804LPC	800LP	802LP	805LP
RETAIL BAG OF 2	804LPB2		800LPB2	802LPB2	
CLAMSHELL OF 4	804LPBP4		800LPBP4	802LPBP4	
RETAIL BAG OF 10			800LPB10		
STAINLESS STEEL			800LPSS		



HD POWDER COAT

SIZE	7/16" X 1-1/4"	7/16" X 1-1/4"	7/16" X 1-1/4"	7/16" X 1-1/2"	7/16" X 1-1/2"
UNIT WEIGHT (LBS)	0.10	0.15	0.10	0.10	0.15
BASE #	801LP	806LP	810LP	809LP	803LP
RETAIL BAG OF 2	801LPB2				803LPB2
CLAMSHELL OF 4	801LPBP4				
RETAIL BAG OF 10	801LPB10				



801LPB2



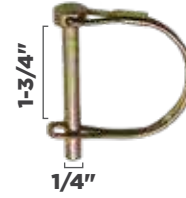
801LPBP4

SIZE	7/16" X 1-1/2"	7/16" X 1-3/4"	7/16" X 1-7/8"
UNIT WEIGHT (LBS)	0.15	0.10	0.10
BASE #	803LPC	811LP	808LP
RETAIL BAG OF 2			
CLAMSHELL OF 4			
RETAIL BAG OF 10			

***BASE # ARE SOLD IN MULTIPLES OF 100 ONLY**

***BASE # ARE SOLD IN MULTIPLES OF 100 ONLY**

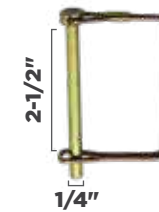
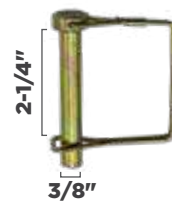
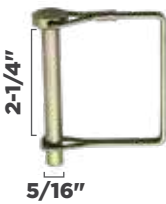
PTO LOCK PINS



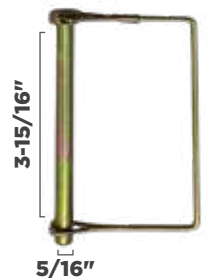
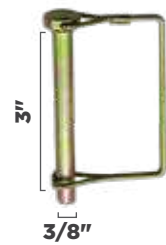
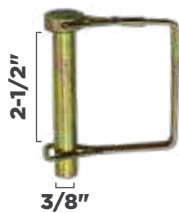
SIZE	1/4" X 1-3/8"	5/16" X 1-3/8"	5/16" X 1-1/2"	1/4" X 1-3/4"	5/16" X 1-3/4"
UNIT WEIGHT (LBS)	0.05	0.10	0.10	0.05	0.10
BASE #	913PA	919PA	917PA	908PA	921PA
RETAIL BAG OF 2				908PAB2	



SIZE	5/16" X 2-1/4"	3/8" X 2-1/4"	1/4" X 2-1/2"	5/16" X 2-1/2"	3/8" X 2-1/2"
UNIT WEIGHT (LBS)	0.10	0.15	0.10	0.10	0.15
BASE #	900PA	906PA	903PA	918PA	911PA
RETAIL BAG OF 2	900PAB2	906PAB2	903PAB2		



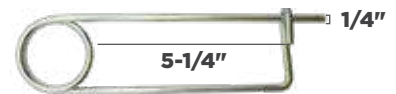
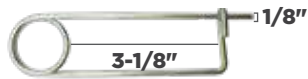
SIZE	1/4" X 2-1/4"	5/16" X 2-1/4"	3/8" X 2-1/4"	1/4" X 2-1/2"	5/16" X 2-1/2"
UNIT WEIGHT (LBS)	0.10	0.10	0.10	0.10	0.10
BASE #	910PA	904PA	905PA	909PA	915PA
RETAIL BAG OF 2		904PAB2	905PAB2		



SIZE	3/8" X 2-1/2"	3/8" X 3"	5/16" X 3-1/2"	3/8" X 3-7/8"	5/16" X 3-15/16"
UNIT WEIGHT (LBS)	0.15	0.20	0.15	0.20	0.15
BASE #	907PA	916PA	922PA	914PA	920PA
RETAIL BAG OF 2					

****BASE # ARE SOLD IN MULTIPLES OF 10 ONLY**

SAFETY PINS



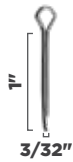
PART#	68.100.001	68.100.002	68.100.003
PIN DIAMETER	1/8"	3/16"	1/4"
USABLE LENGTH	3-1/8"	3-3/8"	5-1/4"
ORDER MULTIPLES	10	10	10

DETENT PACKS



PART#	65.500.000	65.500.005	65.500.016	65.500.024
PIN DIAMETER	3/16"	1/4"	3/8"	1/2"
USABLE LENGTH	1"	3"	4"	2-1/2"
OVERALL LENGTH	1-3/8"	3-7/16"	4-5/8"	3-9/32"
ORDER MULTIPLES	5	5	5	5

COTTER PIN PACKS



PART#	67.700.381	67.700.382	67.700.383	67.700.384	67.700.387	67.700.388
PIN DIAMETER	3/32"	1/8"	1/8"	5/32"	3/16"	3/16"
USABLE LENGTH	1"	1"	1-1/2"	1"	1-1/2"	2"
PACK QTY	100	100	75	75	35	30

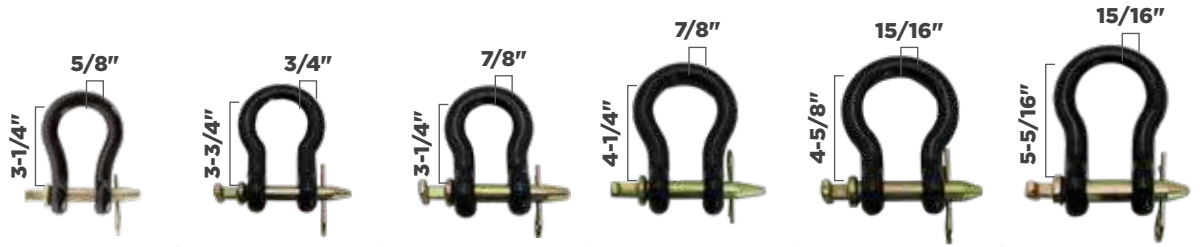


PART#	67.700.389	67.700.390	67.700.391
PIN DIAMETER	1/4"	1/4"	5/16"
USABLE LENGTH	1-1/2"	2"	2"
PACK QTY	20	17	10

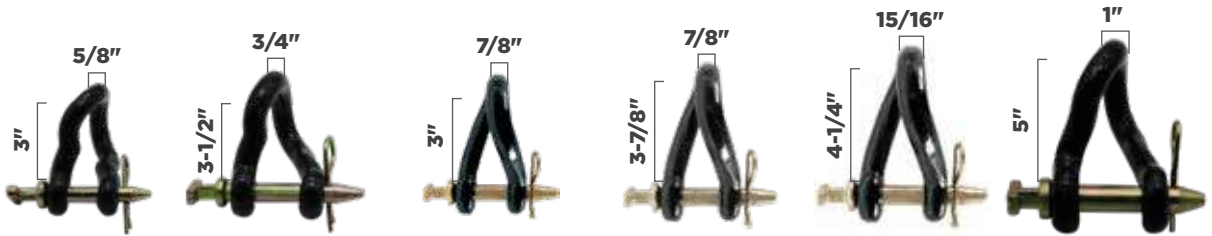


*ITEMS ARE SOLD ONLY IN THE ORDER MULTIPLES LISTED

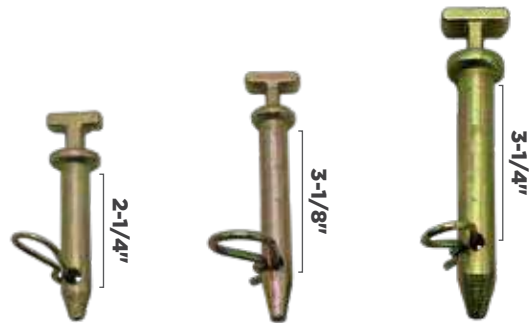
CLEVISES - STRAIGHT & TWISTED



BULK PART#	64.300.058	64.300.075	64.300.078	64.301.078	64.301.516	64.300.001
BODY DIAMETER	5/8"	3/4"	7/8"	7/8"	15/16"	1"
CLEVIS OPENING	7/8"	1-5/16"	1-5/16"	1-5/16"	1-7/16"	2-1/8"
USABLE LENGTH	3-1/4"	3-3/4"	3-1/4"	4-1/4"	4-5/8"	5-5/16"
PIN DIAMETER	1/2"	5/8"	3/4"	3/4"	7/8"	1"
WORKING LOAD LIMIT (LBS)	6,000	12,000	16,000	16,000	20,000	25,000
UNIT WEIGHT (LBS)	1.25	2.35	3.05	3.45	4.50	6.25
ORDER MULTIPLES	1	1	1	1	1	1



BULK PART#	64.200.058	64.200.075	64.201.078	64.200.078	64.201.516	64.200.001
BODY DIAMETER	5/8"	3/4"	7/8"	7/8"	15/16"	1"
CLEVIS OPENING	7/8"	1-5/16"	1-5/16"	1-5/16"	1-7/16"	2-1/8"
USABLE LENGTH	3"	3-1/2"	3"	3-7/8"	4-1/4"	5"
PIN DIAMETER	1/2"	5/8"	3/4"	3/4"	7/8"	1"
WORKING LOAD LIMIT (LBS)	6,000	12,000	16,000	16,000	20,000	25,000
UNIT WEIGHT (LBS)	1.30	2.30	3.00	3.50	4.20	6.30
ORDER MULTIPLES	1	1	1	1	1	1



PART#	6070	6071	6072
DIAMETER	1/2"	5/8"	3/4"
USABLE LENGTH	2-1/4"	3-1/8"	3-1/4"
UNIT WEIGHT (LBS)	0.25	0.55	0.80
ORDER MULTIPLES	1	1	1

REPLACEMENT PINS

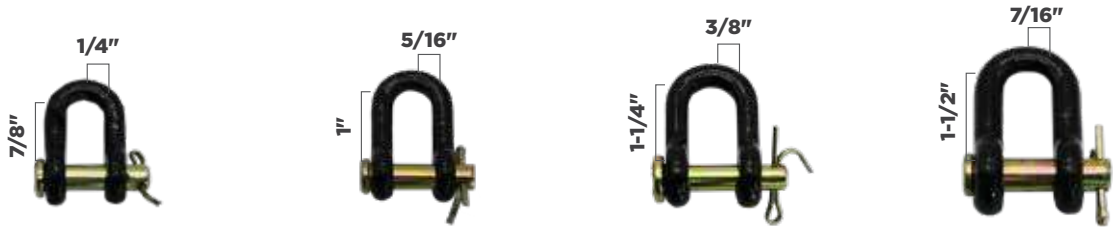


DO NOT EXCEED WORKING LOAD LIMIT. FARM HARDWARE IS NOT FOR LIFTING.

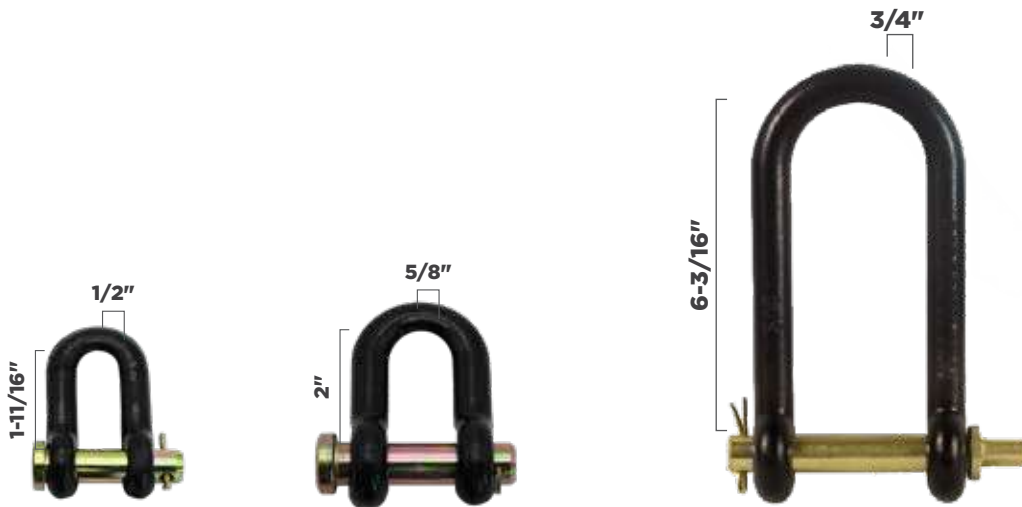
*ITEMS ARE SOLD ONLY IN THE ORDER MULTIPLES LISTED



**DO NOT EXCEED WORKING LOAD LIMIT.
FARM HARDWARE IS NOT FOR LIFTING.**



PART#	64.401.025	64.400.516	64.400.038	64.400.716
BODY DIAMETER	1/4"	5/16"	3/8"	7/16"
CLEVIS OPENING	15/32"	17/32"	21/32"	23/32"
USABLE LENGTH	7/8"	1"	1-1/4"	1-1/2"
PIN DIAMETER	5/16"	3/8"	7/16"	1/2"
WORKING LOAD LIMIT (LBS)	1,000	1,500	2,000	3,000
UNIT WEIGHT (LBS)	0.10	0.15	0.25	0.45
ORDER MULTIPLES	1	1	1	1

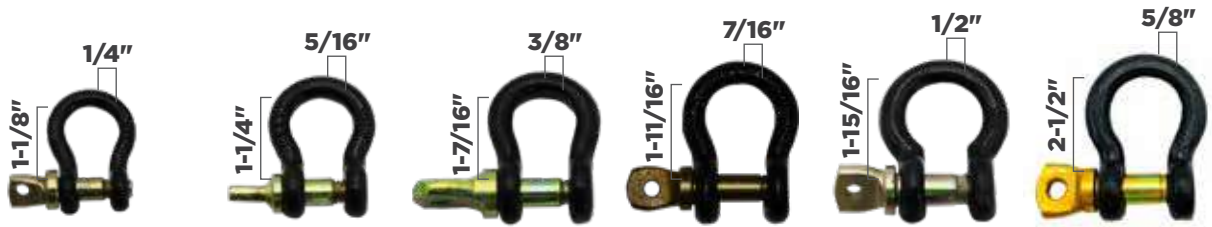


PART#	64.401.050	64.400.058	64.405.075
BODY DIAMETER	1/2"	5/8"	3/4"
CLEVIS OPENING	13/16"	1-1/16"	2-1/2"
USABLE LENGTH	1-11/16"	2"	6-3/16"
PIN DIAMETER	5/8"	3/4"	3/4"
WORKING LOAD LIMIT (LBS)	6,000	9,000	10,000
UNIT WEIGHT (LBS)	0.80	1.35	3.25
ORDER MULTIPLES	1	1	1

*ITEMS ARE SOLD ONLY IN THE ORDER MULTIPLES LISTED

FARM CLEVISES

⚠ DO NOT EXCEED WORKING LOAD LIMIT. FARM HARDWARE IS NOT FOR LIFTING.



BULK PART#	64.350.025	64.350.516	64.350.038	64.350.716	64.350.050	64.350.058
BODY DIAMETER	1/4"	5/16"	3/8"	7/16"	1/2"	5/8"
CLEVIS OPENING	15/32"	17/32"	23/32"	3/4"	13/16"	1-1/16"
USABLE LENGTH	1-1/8"	1-1/4"	1-7/16"	1-11/16"	1-15/16"	2-1/2"
PIN DIAMETER	5/16"	3/8"	7/16"	1/2"	5/8"	3/4"
WORKING LOAD LIMIT (LBS)	1,000	2,000	3,000	4,000	6,500	9,000
UNIT WEIGHT (LBS)	0.10	0.20	0.25	0.40	0.80	0.60
ORDER MULTIPLES	1	1	1	1	1	1



BULK PART#	64.350.075	64.350.078	64.350.001	64.350.118	64.300.114
BODY DIAMETER	3/4"	7/8"	1"	1-1/8"	1-1/4"
CLEVIS OPENING	1-1/4"	1-7/16"	1-11/16"	1-13/16"	2"
USABLE LENGTH	3"	3-1/4"	3-3/4"	4-1/4"	4-1/2"
PIN DIAMETER	7/8"	1"	1-1/8"	1-1/4"	1-3/8"
WORKING LOAD LIMIT (LBS)	13,000	15,000	17,000	24,000	28,000
UNIT WEIGHT (LBS)	2.25	3.50	4.95	6.80	10.80
ORDER MULTIPLES	1	1	1	1	1

MID-LINKS



PART#	64.000.004	64.000.003	64.000.005
CHAIN SIZE	1/4" OR 5/16"	3/8"	7/16" OR 1/2"
WORKING LOAD LIMIT (LBS)	4700	6,600	11,300
UNIT WEIGHT (LBS)	0.35	0.45	1.05
ORDER MULTIPLES	1	1	1

*ITEMS ARE SOLD ONLY IN THE ORDER MULTIPLES LISTED

CHECK-CHAIN CLEVIS EYE BOLT
USED TO FASTEN CHECK-CHAIN TO LIFT ARMS
REPLACES: FORD NCB660A
FITS: FERGUSON 20 & 30
ASSEMBLED WITH 9/16" NF HEX NUT
WEIGHT: 0.4LBS
PART# 1641K



CHECK-CHAIN CLEVIS
USED TO FASTEN CHECK-CHAIN TO TRACTORS
REPLACES: FORD 9N582
FITS: MF 20, 30, 35, 40 AND 50
WEIGHT: 0.1LBS
PART# 1642K



MUFFLER CLAMP ASSEMBLY
REPLACES: FORD 9N5251
FITS: FORD 2N, 8N, 9N, MF 20, 30, 40 AND 50
WEIGHT: 0.6LBS
PART# 100901MC

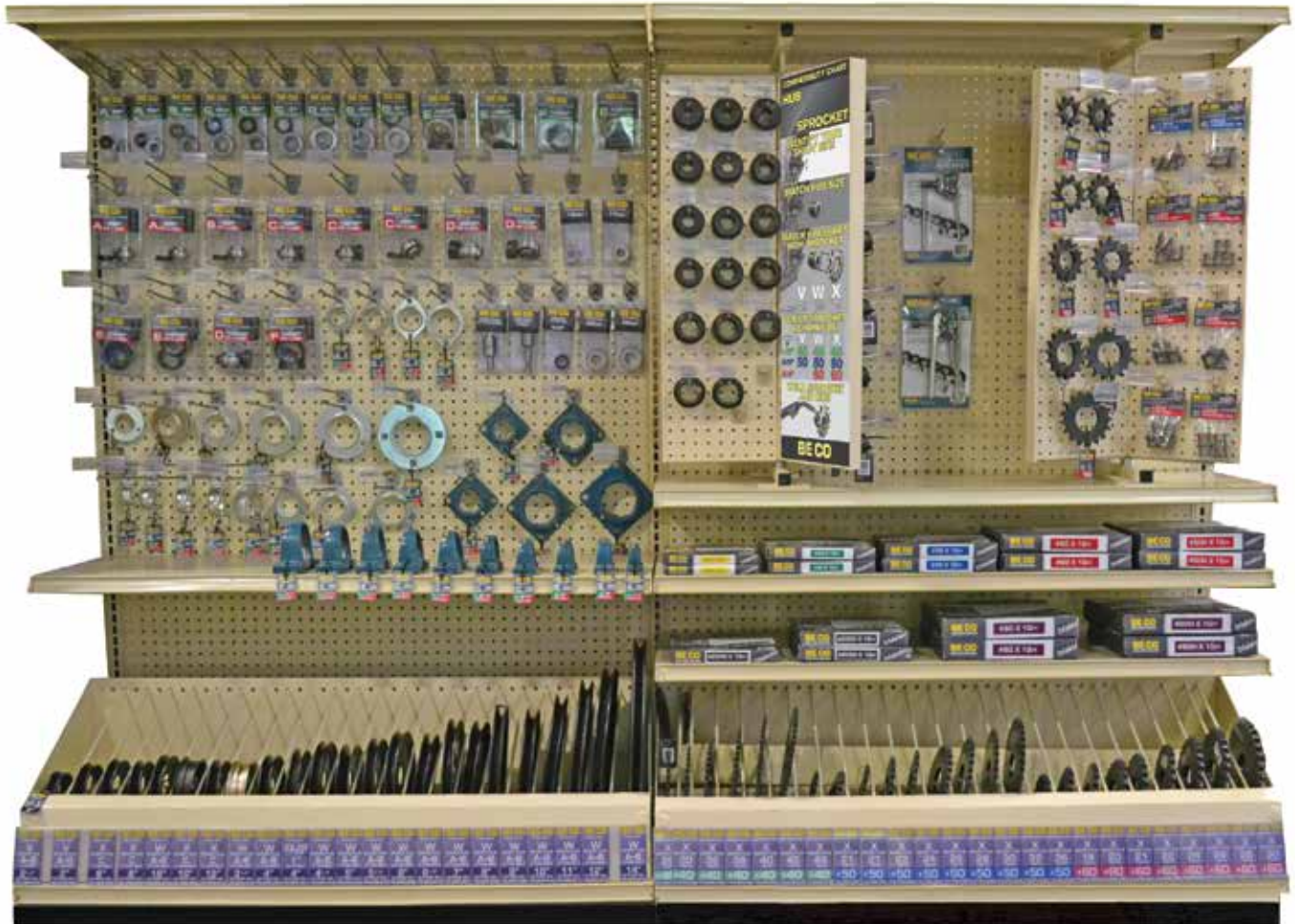


HEAVY-DUTY RATCHET JACK
WITH 1-1/4" ACME THREADS & GREASE ZERKS
ADJUSTABLE FROM 20" CLOSED TO 28" OPEN
1" CLEVIS PINS
CLIP PINS & HANDLE INCLUDED
BLACK POWDER-COAT FINISH
WEIGHT: 15LBS
PART# 350JA



DRILL DRAG CHAIN
3-1/2" RING DIAMETER; 1/2" RING THICKNESS
FITS: MOST STANDARD SEED DRILLS
WEIGHT: 2.1LBS
PART# 2582AD



BE AG & INDUSTRIAL POWER TRANSMISSION PRODUCT**POP-MERCH CONSISTS OF:**

- 2 Spinner assemblies
- 112 Hooks
- 2 Adjustable lower shelving units
- All Point of Purchase material

**DESIGNED TO WORK WITH STANDARD LOZIER
SHELVING UNITS**

**COLOR CODING AND ALPHABETICAL SYSTEM
SIMPLIFIES AND MAKES
PROGRAM CONSUMER FRIENDLY**

**CONTACT US TODAY FOR INFORMATION AND
PRICING ON OUR POWER TRANSMISSION PROGRAM.**

**RECEIVE THE MERCHANDISERS FREE WITH THE
PURCHASE OF THE COMPLETE PROGRAM.**

MATCHING HUBS & BORES TO PULLEYS AND SPROCKETS

MATCHING HUBS & PULLEYS

STEP 1:

Select a pulley (page 195) based on the outside diameter and belt type you require. Note the hub type (ie: Bolt size A/B or c).

STEP 2:

Select the hub you require (page 194) based on the configuration and diameter of the output shaft it will be installed on. The hub type must match the hub type listed for the pulley on page 195.

MATCHING HUBS & SPROCKETS

STEP 1:

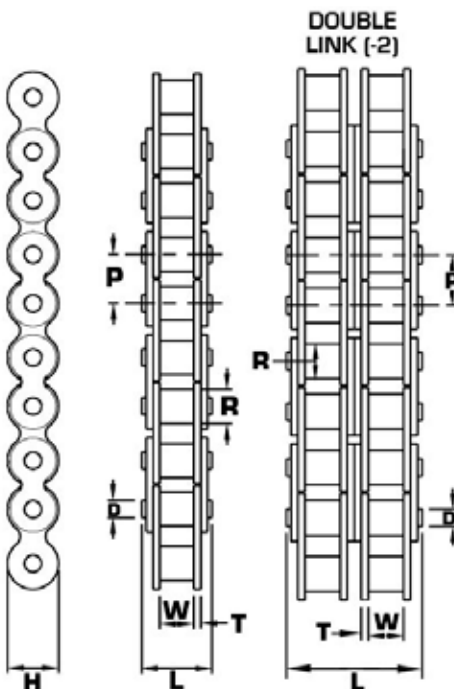
Select a sprocket (page 196-197) based on the chain size and the number of teeth you require. Note the hub type (ie: V/W/X).

STEP 2:

Select the hub you require (page 194) based on the configuration and diameter of the output shaft it will be installed on. The hub type must match the hub type listed for the sprocket on page 196 or 197.

STEP 3:

Using the color code, match the chain pitch (page 198) to the sprocket. Then match the color code and chain type to find the correct connecting and offset links (page 198).



ANSI STANDARDS

CHAIN #	PITCH P	ROLLER		PIN		LINK PLATES		TENSILE STRENGTH LBS	WT. LBS/ FT
		R	W	D	L	T	H		
35	3/8	0.200	3/16	0.141	0.500	0.050	0.350	2100	0.21
41	1/2	0.306	1/4	0.141	0.578	0.050	0.383	2000	0.25
40	1/2	0.312	5/16	0.156	0.695	0.060	0.466	3700	0.42
50	5/8	0.400	3/8	0.200	0.855	0.080	0.584	6100	0.69
60	3/4	0.468	1/2	0.234	1.081	0.094	0.700	8500	1.00
80	1	0.625	5/8	0.312	1.378	0.125	0.934	14500	1.71
100	1-1/4	0.750	3/4	0.375	1.701	0.156	1.166	24000	2.58
120	1-1/2	0.875	1	0.437	2.130	0.187	1.400	34000	3.87
50H	5/8	0.400	3/8	0.200	0.922	0.094	0.571	7500	0.80
60H	3/4	0.468	1/2	0.234	1.185	0.125	0.700	8500	1.22
80H	1	0.625	5/8	0.312	1.504	0.156	0.934	14500	2.03
35-2	3/8	0.200	3/16	0.141	0.900	0.050	0.350	4200	0.40
40-2	1/2	0.312	5/16	0.156	1.259	0.060	0.466	7400	0.82
50-2	5/8	0.400	3/8	0.200	1.585	0.080	0.584	12200	1.36
60-2	3/4	0.468	1/2	0.234	1.985	0.094	0.700	17000	1.99
80-2	1	0.625	5/8	0.312	2.536	0.125	0.934	29000	3.40
100-2	1-1/4	0.750	3/4	0.375	3.107	0.156	1.166	48000	5.10
120-2	1-1/2	0.875	1	0.437	3.921	0.187	1.400	68000	7.65
A2040	1	0.312	5/16	0.156	0.630	0.060	0.466	3700	0.30
A2050	1-1/4	0.400	3/8	0.200	0.790	0.080	0.584	6100	0.50
A2060	1-1/2	0.468	1/2	0.234	0.990	0.094	0.700	8500	0.70

DRIVE PRODUCT - HUBS AND BORES

V HUB - ROUND BORE

PART# 72.100.012



V HUB - ROUND BORE

PART#	BORE SIZE	HUB TYPE
72.100.012	1/2"	V
72.100.916	9/16"	V
72.100.058	5/8"	V
72.100.034	3/4"	V
72.100.078	7/8"	V

W HUB - SPLINED BORE

PART# 72.206.138



W HUB - SPLINED BORE

PART#	BORE SIZE	HUB TYPE
72.206.118	1-1/8" X 6SP	W
72.206.138	1-3/8" X 6SP	W

X HUB - HEX BORE

PART# 72.320.078



X HUB - HEX BORE

PART#	BORE SIZE	HUB TYPE
72.320.078	7/8"	X
72.320.100	1"	X
72.320.118	1-1/8"	X

W HUB - ROUND BORE

PART# 72.200.034



W HUB - HEX BORE

PART# 72.220.078



W HUB - HEX BORE

PART#	BORE SIZE	HUB TYPE
72.220.078	7/8"	W
72.220.100	1"	W

X HUB - SPLINED BORE

PART# 72.306.118



X HUB - SPLINED BORE

PART#	BORE SIZE	HUB TYPE
72.306.118	1-1/8" X 6SP	X
72.321.138	1-3/8" X 21SP	X
72.306.138	1-3/8" X 6SP	X

W HUB - ROUND BORE

PART#	BORE SIZE	HUB TYPE
72.200.012	1/2"	W
72.200.916	9/16"	W
72.200.058	5/8"	W
72.201.116	11/16"	W
72.200.034	3/4"	W
72.201.316	13/16"	W
72.200.078	7/8"	W
72.201.516	15/16"	W
72.210.000	1"	W
72.210.116	1-1/16"	W
72.210.018	1-1/8"	W
72.210.316	1-3/16"	W
72.210.014	1-1/4"	W

X HUB - ROUND BORE

PART# 72.300.058



X HUB - ROUND BORE

PART#	BORE SIZE	HUB TYPE
72.300.058	5/8"	X
72.301.116	11/16"	X
72.300.034	3/4"	X
72.301.316	13/16"	X
72.300.078	7/8"	X
72.301.516	15/16"	X
72.310.000	1"	X
72.310.116	1-1/16"	X
72.310.118	1-1/8"	X
72.310.316	1-3/16"	X
72.310.014	1-1/4"	X
72.310.516	1-5/16"	X
72.310.038	1-3/8"	X
72.310.716	1-7/16"	X
72.310.012	1-1/2"	X

X - HUB - SQUARE BORE

PART# 72.330.058



X - HUB - SQUARE BORE

PART#	BORE SIZE	HUB TYPE
72.330.058	5/8"	X
72.330.078	7/8"	X
72.330.118	1-1/8"	X
72.331.316	1-3/16"	X

W HUB - SQUARE

PART# 72.230.012



W HUB - SQUARE

PART#	BORE SIZE	HUB TYPE
72.230.012	1/2"	W
72.230.034	3/4"	W

IDLER HUB

PART# 72.212.058



IDLER HUBS

PART#	BORE SIZE	HUB TYPE
72.212.058	5/8" - 1/2"	W
72.312.058	5/8" - 1/2"	X

V BELT PULLEY
PART# 75.100.003



W BELT PULLEY
PART# 75.200.312



X BELT PULLEY
PART# 75.300.006



FLAT TYPE IDLER PULLEY
PART# 75.850.307



V BELT PULLEYS

PART#	O.D.	BELT STYLE	HUB TYPE
75.100.212	2 1/2"	A OR B	V
75.100.003	3"	A OR B	V

W BELT PULLEYS

PART#	O.D.	BELT STYLE	HUB TYPE
75.200.312	3 1/2"	A OR B	W
75.200.004	4"	A OR B	W
75.200.412	4 1/2"	A OR B	W
75.200.005	5"	A OR B	W
75.200.512	1/2"	A OR B	W
75.200.006	6"	A OR B	W
75.200.612	6 1/2"	A OR B	W
75.200.007	7"	A OR B	W
75.200.008	8"	A OR B	W
75.200.009	9"	A OR B	W
75.200.010	10"	A OR B	W
75.200.011	11"	A OR B	W
75.200.012	12"	A OR B	W
75.200.014	14"	A OR B	W
75.200.016	16"	A OR B	W

STANDARD PULLEYS - X

PART#	O.D.	BELT STYLE	HUB TYPE
75.300.006	6"	C	X
75.300.008	8"	C	X
75.300.010	10"	C	X
75.300.012	12"	C	X

- Full range of sizes to suit most industry needs
- High Quality and Precision Machined
- Weld-on pulleys to be used in combination with multiple sizes of weld-on hubs

FLAT TYPE IDLER PULLEYS

PART#	O.D.	BORE SIZE	INSIDE WIDTH
75.850.307	3-1/2"	5/8"	1"
75.850.308	4"	5/8"	3/4"
75.850.301	4"	1/2"	1"
75.850.302	4"	5/8"	1"

SPROCKETS - WELD-ON & IDLER

PART# 74.401.217



IDLER SPROCKETS

PART#	CHAIN	BORE SIZE	TEETH	COLOR
74.401.217	#40/41	0.5"	17	GREEN
74.405.817	#40/41	0.625"	17	GREEN
74.501.213	#50	0.5"	13	BLUE
74.505.813	#50	0.625"	13	BLUE
74.501.215	#50	0.5"	15	BLUE
74.505.815	#50	0.625"	15	BLUE
74.501.217	#50	0.5"	17	BLUE
74.505.817	#50	0.625"	17	BLUE
74.601.211	#60	0.5"	11	RED
74.605.811	#60	0.625"	11	RED
74.601.213	#60	0.5"	13	RED
74.605.813	#60	0.625"	13	RED
74.601.215	#60	0.5"	15	RED
74.605.815	#60	0.625"	15	RED

PART# 74.040.015



#40 SPROCKETS 1/2" PITCH - V

PART#	CHAIN	O.D.	TEETH	HUB	COLOR
74.040.012	# 40	2-3/16"	12	V	GREEN
74.040.013	# 40	2-1/4"	13	V	GREEN
74.040.014	# 40	2-7/16"	14	V	GREEN
74.040.015	# 40	2-5/8"	15	V	GREEN

PART# 74.040.020



#40 SPROCKETS 1/2" PITCH - X

PART#	CHAIN	O.D.	TEETH	HUB	COLOR
74.040.020	# 40	3-7/16"	20	X	GREEN
74.040.021	# 40	3-5/8"	21	X	GREEN
74.040.022	# 40	3-3/4"	22	X	GREEN
74.040.023	# 40	4"	23	X	GREEN
74.040.024	# 40	4-1/6"	24	X	GREEN
74.040.026	# 40	4-3/8"	26	X	GREEN
74.040.028	# 40	4-11/16"	28	X	GREEN
74.040.030	# 40	5-1/16"	30	X	GREEN
74.040.032	# 40	5-3/8"	32	X	GREEN
74.040.036	# 40	6"	36	X	GREEN
74.040.040	# 40	6-5/8"	40	X	GREEN
74.040.042	# 40	7"	42	X	GREEN
74.040.045	# 40	7-3/8"	45	X	GREEN
74.040.048	# 40	7-7/8"	48	X	GREEN

PART# 74.040.016

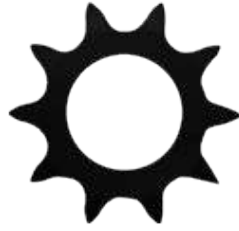


#40 SPROCKETS 1/2" PITCH - W

PART#	CHAIN	O.D.	TEETH	HUB	COLOR
74.040.016	# 40	2-13/16"	16	W	GREEN
74.040.017	# 40	3"	17	W	GREEN
74.040.018	# 40	3-1/8"	18	W	GREEN
74.040.019	# 40	3-5/16"	19	W	GREEN

- Made of high quality, precision machined steel for long lasting performance
- Offered in a full line of weld-on or idler sprockets
- Weld-on sprockets to be used in combination with multiple sizes of weld-on hubs

PART# 74.050.010



#50 SPROCKETS 5/8" PITCH - V

PART#	CHAIN	O.D.	TEETH	HUB	COLOR
74.050.010	#50	2-1/4"	10	V	BLUE
74.050.011	#50	2-1/2"	11	V	BLUE

PART# 74.050.012



#50 SPROCKETS 5/8" PITCH - W

PART#	CHAIN	O.D.	TEETH	HUB	COLOR
74.050.012	#50	2-3/4"	12	W	BLUE
74.050.013	#50	3-7/8"	13	W	BLUE
74.050.014	#50	3-1/16"	14	W	BLUE
74.050.015	#50	3-1/4"	15	W	BLUE
74.050.016	#50	3-7/16"	16	W	BLUE

PART# 74.060.009



60 SPROCKETS 3/4" PITCH - V

PART#	CHAIN	O.D.	TEETH	HUB	COLOR
74.060.009	#60	2-1/2"	9	V	RED
74.060.010	#60	2-3/4"	10	V	RED

PART# 74.060.011



60 SPROCKETS 3/4" PITCH - W

PART#	CHAIN	O.D.	TEETH	HUB	COLOR
74.060.011	#60	3"	11	W	RED
74.060.012	#60	3-1/4"	12	W	RED
74.060.013	#60	3-1/2"	13	W	RED
74.060.014	#60	3-3/4"	14	W	RED

PART# 74.050.017



#50 SPROCKETS 5/8" PITCH

PART#	CHAIN	O.D.	TEETH	HUB	COLOR
74.050.017	#50	3-11/16"	17	X	BLUE
74.050.018	#50	3-7/8"	18	X	BLUE
74.050.019	#50	4-1/8"	19	X	BLUE
74.050.020	#50	4-3/8"	20	X	BLUE
74.050.021	#50	4-9/16"	21	X	BLUE
74.050.022	#50	4-3/4"	22	X	BLUE
74.050.024	#50	5-1/8"	24	X	BLUE
74.050.026	#50	5-1/2"	26	X	BLUE
74.050.028	#50	5-7/8"	28	X	BLUE
74.050.030	#50	6-5/16"	30	X	BLUE
74.050.032	#50	6-3/4"	32	X	BLUE
74.050.034	#50	7-1/16"	34	X	BLUE
74.050.036	#50	7-9/16"	36	X	BLUE

PART# 74.060.015



60 SPROCKETS 3/4" PITCH - X

PART#	CHAIN	O.D.	TEETH	HUB	COLOR
74.060.015	#60	4"	15	X	RED
74.060.016	#60	4-1/4"	16	X	RED
74.060.017	#60	4-1/2"	17	X	RED
74.060.018	#60	4-11/16"	18	X	RED
74.060.019	#60	5"	19	X	RED
74.060.020	#60	5-1/8"	20	X	RED
74.060.021	#60	5-1/2"	21	X	RED
74.060.022	#60	5-11/16"	22	X	RED
74.060.024	#60	6-1/8"	24	X	RED
74.060.026	#60	6-5/8"	26	X	RED
74.060.028	#60	7-1/8"	28	X	RED
74.060.030	#60	7-5/8"	30	X	RED

ROLLER CHAIN, LINKS & TOOLS

HIGH QUALITY AND PRECISION MACHINED STEEL TO MEET OR EXCEED ANSI SPECIFIED STANDARDS OFFERED IN BAGGED QUANTITIES FOR CONVENIENCE

CONNECTING LINKS

65.040.001



CONNECTING LINKS

PART#	TYPE	BAG QTY	PITCH	COLOR
65.204.001	A2040	4	1"	BLACK
65.205.001	A2050	3	1-1/4"	BLACK
65.206.001	A2060	3	1-1/2"	BLACK
65.035.001	35	4	3/8"	YELLOW
65.035.201	35-2	4	3/8"	YELLOW
65.040.001	40	4	1/2"	GREEN
65.041.001	41	4	1/2"	GREEN
65.050.001	50	4	5/8"	BLUE
65.050.201	50-2	4	5/8"	BLUE
65.050.501	50H	4	5/8"	BLUE
65.060.001	60R	3	3/4"	RED
65.060.201	60-2	3	3/4"	RED
65.060.501	60H	3	3/4"	RED
65.080.001	80	2	1"	PURPLE
65.080.201	80-2	2	1"	PURPLE
65.080.501	80H	2	1"	PURPLE
65.100.001	100	2	1-1/4"	ORANGE
65.120.001	120	2	1-1/2"	BROWN

OFFSET LINKS

65.050.002



OFFSET LINKS

PART#	TYPE	BAG QTY	PITCH	COLOR
65.204.002	A2040	4	1"	BLACK
65.205.002	A2050	3	1-1/4"	BLACK
65.206.002	A2060	3	1-1/2"	BLACK
65.035.002	35	4	3/8"	YELLOW
65.035.202	35-2	4	3/8"	YELLOW
65.040.002	40	4	1/2"	GREEN
65.041.002	41	4	1/2"	GREEN
65.050.002	50	3	5/8"	BLUE
65.050.202	50-2	3	5/8"	BLUE
65.050.502	50H	3	5/8"	BLUE
65.060.002	60R	3	3/4"	RED
65.060.202	60-2	3	3/4"	RED
65.060.502	60	3	3/4"	RED
65.080.002	80	2	1"	PURPLE
65.080.202	80-2	2	1"	PURPLE
65.080.502	80	2	1"	PURPLE
65.100.002	100R	2	1-1/4"	ORANGE
65.120.002	120R	2	1-1/2"	BROWN

ROLLER CHAIN BREAKER PIN BREAKER #25 - #60 CHAIN

67.005.050



ROLLER CHAIN BREAKER PIN BREAKER #60 - #100 CHAIN

67.005.051



ROLLER CHAIN

65.050.010



ROLLER CHAIN

PART#	TYPE	LENGTH	PITCH	COLOR
65.204.010	2040	10'	1"	BLACK
65.205.010	2050	10'	1-1/4"	BLACK
65.206.010	2060	10'	1-1/2"	BLACK
65.035.010	35	10'	3/8"	YELLOW
65.035.210	35-2	10'	3/8"	YELLOW
65.040.010	40	10'	1/2"	GREEN
65.041.010	41	10'	1/2"	GREEN
65.050.010	50	10'	5/8"	BLUE
65.050.210	50-2	10'	5/8"	BLUE
65.050.510	50H	10'	5/8"	BLUE
65.060.010	60R	10'	3/4"	RED
65.060.210	60-2	10'	3/4"	RED
65.060.510	60H	10'	3/4"	RED
65.080.010	80R	10'	1"	PURPLE
65.080.510	80H	10'	1"	PURPLE
65.100.010	100	10'	1-1/4"	ORANGE
65.120.010	120	10'	1-1/2"	BROWN

4 BOLT FLANGE HOUSINGS

PART#	DESCRIPTION	COLOR		TYPE
		GREEN	RED	
33.204.000FS	1/2" - 3/4"	GREEN	RED	B
33.205.000FS	7/8" - 1"	GREEN	RED	C
33.206.000FS	1-1/8" - 1-1/4"	GREEN	RED	D
33.207.000FS	1-1/4" - 1-7/16"	GREEN	RED	E
33.208.000FS	1-1/2" - 1-9/16"	GREEN	RED	F

PART# 33.207.000FS



LOW PROFILE PILLOW BLOCK HOUSINGS

PART#	BORE SIZE	COLOR		TYPE
		GREEN	RED	
33.204.000LP	3/4"	GREEN	RED	B
33.205.000LP	7/8" - 1"	GREEN	RED	C
33.206.000LP	1-1/8" - 1-1/4"	GREEN	RED	D
33.207.000LP	1-1/4" - 1-7/16"	GREEN	RED	E

PART# 33.204.000LP



PILLOW BLOCK HOUSING

PART#	BORE SIZE	COLOR		TYPE
		GREEN	RED	
33.203.000P	1/2" - 11/16"	GREEN	RED	A
33.204.000P	3/4"	GREEN	RED	B
33.205.000P	7/8" - 1"	GREEN	RED	C
33.206.000P	1-1/8" - 1-1/4"	GREEN	RED	D
33.207.000P	1-1/4" - 1-7/16"	GREEN	RED	E
33.208.000P	1-1/2" - 1-9/16"	GREEN	RED	F

PART# 33.203.000P



- High quality, precision machined steel
- Meets or exceeds ANSI specified standards
- Solid rollers, solid bushings
- Offered in a complete line of sizes to suit all needs

DRIVE PRODUCT - FORGED BEARING HOUSING

PART# 33.203.000PF



STAMPED STEEL 3 & 4 BOLT FLANGES

PART#	DESCRIPTION	BORE SIZE	COLOR		TYPE
33.203.000PF	3 HOLE ROUND	1/2" - 1-1/16"	GREEN	RED	A
33.204.000PF	3 HOLE ROUND	3/4"	GREEN	RED	B
33.205.000PF	3 HOLE ROUND	7/8" - 1"	GREEN	RED	C
33.206.000PF	3 HOLE ROUND	1-1/8" - 1-1/4"	GREEN	RED	D
33.207.000PF	3 HOLE ROUND	1-1/4" - 1-7/16"	GREEN	RED	E
33.208.004PF	4 HOLE ROUND	1-1/2" - 1-9/16"	GREEN	RED	F
33.209.004PF	4 HOLE ROUND	1-5/8" - 1-3/4"	GREEN	RED	G

PART# 33.203.000PFL



STAMPED STEEL 2 BOLT FLANGES

PART#	DESCRIPTION	BORE SIZE	COLOR		TYPE
33.203.000PFL	2 HOLE	1/2" - 1-1/16"	GREEN	RED	A
33.204.000PFL	2 HOLE	3/4"	GREEN	RED	B
33.205.000PFL	2 HOLE	7/8" - 1"	GREEN	RED	C
33.206.000PFL	2 HOLE	1-1/8" - 1-1/4"	GREEN	RED	D

PART# 33.204.000GPFL



STAMPED STEEL 3 BOLT FLANGES

PART#	DESCRIPTION	BORE SIZE	COLOR		TYPE
33.204.000GPFL	3 HOLE TRIANGLE	3/4"	GREEN	RED	B
33.205.000GPFL	3 HOLE TRIANGLE	7/8" - 1"	GREEN	RED	C
33.206.000GPFL	3 HOLE TRIANGLE	1-1/8" - 1-1/4"	GREEN	RED	D

PART# 33.203.000PP



STAMPED STEEL PILLOW BLOCK FLANGE

PART#	DESCRIPTION	COLOR		TYPE
33.203.000PP	1/2" - 1-1/16"	GREEN	RED	A
33.204.000PP	3/4"	GREEN	RED	B
33.205.000PP	7/8" - 1"	GREEN	RED	C
33.206.000PP	1-1/8" - 1-1/4"	GREEN	RED	D
33.207.000PP	1-1/4" - 1-7/16"	GREEN	RED	E

CULTIVATOR & PUMP BEARINGS

PART#	DESCRIPTION	COLOR
33.007.032RS	PRESS WHEEL BEARING	BLACK
31.062.002BP		BLACK
29.062.002BP	PUMP BEARING 15MM .5906	BLACK
29.062.003BP	PUMP BEARING 17MM .6693	BLACK
29.062.004BP	PUMP BEARING 20MM .7874	BLACK
29.062.005BP	PUMP BEARING 25MM .9843	BLACK
33.885.151E	BEARING IHC CULTIVATOR GAUGE WHEEL	BLACK
33.885.154B	CULT GAUGE WHEEL BEARING	BLACK
33.099.502H	BEARING FOR ACE PUMP 15.88MM 5/8	BLACK
33.009.504ZRST		BLACK



PART# 33.007.032RS



PART# 29.062.002BP

PRE-LUBED BEARINGS

PART#	BORE SIZE	COLOR	TYPE
33.201.008SA	1/2"	GREEN	A
33.202.010SA	5/8"	GREEN	A
33.204.012SA	3/4"	GREEN	B
33.205.014SA	7/8"	GREEN	C
33.205.015SA	15/16"	GREEN	C
33.205.016SA	1"	GREEN	C
33.206.018SA	1-1/8"	GREEN	D
33.206.019SA	1-3/16"	GREEN	D
33.206.020SA	1-1/4"	GREEN	D
33.207.020SA	1-1/4"	GREEN	E
33.207.022SA	1-3/8"	GREEN	E
33.207.023SA	1-7/16"	GREEN	E
33.208.024CSA	1 1/2"	GREEN	F
33.208.000WPPB7		GREEN	F



PART# 33.201.008SA

RE-LUBED BEARINGS

PART#	BORE SIZE	COLOR	TYPE
33.201.008HC	1/2"	RED	A
33.202.010HC	5/8"	RED	A
33.204.012HC	3/4"	RED	B
33.205.014HC	7/8"	RED	C
33.205.015HC	15/16"	RED	C
33.205.016HC	1"	RED	C
33.206.018HC	1-1/8"	RED	D
33.206.019HC	1-3/16"	RED	D
33.206.020HC	1-1/4"	RED	D
33.207.020HC		RED	
33.207.022HC	1-3/8"	RED	E
33.207.023HC	1-7/16"	RED	E
33.208.024HC	1-1/2"	RED	F



PART# 33.201.008HC



JAW COUPLERS

PART#	DESCRIPTION	BORE SIZE	OUTSIDE DIAMETER	KEYWAY SIZE	TYPE	COLOR
72.075.012	COUPLER, SHAFT 1/2" L075	1/2"	1.75"	1/8" X 1/16"	L075	GREEN
72.075.058	COUPLER, SHAFT 5/8" L075	5/8"	1.75"	3/16" X 3/32"	L075	GREEN
72.075.034	COUPLER, SHAFT 3/4" L075	3/4"	1.75"	3/16" X 3/32"	L075	GREEN
72.095.012	COUPLER, SHAFT 1/2" L095	1/2"	2.11"	1/8" X 1/16"	L095	RED
72.095.058	COUPLER, SHAFT 5/8" L095	5/8"	2.11"	3/16" X 3/32"	L095	RED
72.095.034	COUPLER, SHAFT 3/4" L095	3/4"	2.11"	3/16" X 3/32"	L095	RED
72.095.078	COUPLER, SHAFT 7/8" L095	7/8"	2.11"	3/16" X 3/32"	L095	RED
72.095.100	COUPLER, SHAFT 1" L095	1"	2.11"	1/4" X 1/8"	L095	RED
72.095.118	COUPLER, SHAFT 1-1/8" L095	1-1/8"	2.11"	1/4" X 1/8"	L095	RED



RUBBER COUPLER INSERT

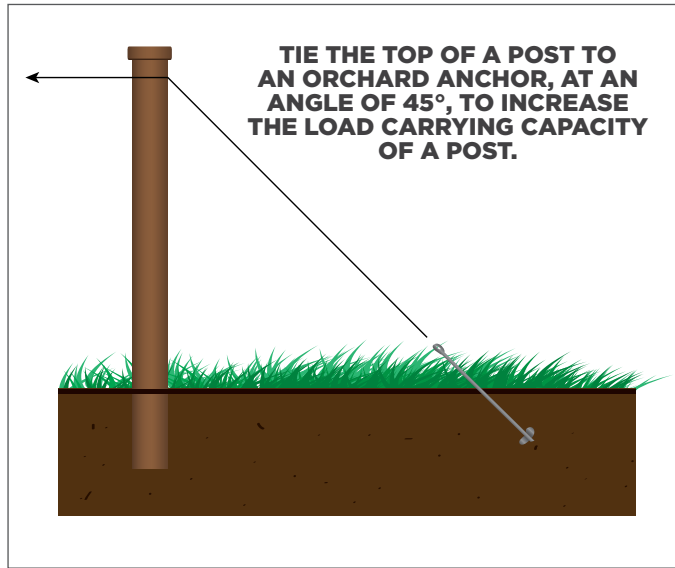
PART#	DESCRIPTION	BORE SIZE	KEYWAY SIZE	TYPE	COLOR
72.075.000	L075	SOLID	SOB (NBR)	L075	GREEN
72.095.000	L095	SOLID	SOB (NBR)	L095	RED

EARTH ANCHOR

HOT DIPPED GALVANIZED

PART# 62.000.004

- Orchard & vineyard anchors
- Hot dipped electro galvanized finish



HOT DIPPED GALVANIZED EARTH ANCHORS

PART#	A	B	C
62.000.004	48"	5/8"	6"
62.000.006	48"	5/8"	4 1/2"
62.000.007	36"	1/2"	4 1/2"
62.000.008	36"	5/8"	6"
62.000.009	28"	1/2"	3"
62.000.010	15-1/2"	1/2"	3"

ANCHOR
15" LONG, 3/4" THICK
PART# 62.000.011



SQUARE BALE COVER ANCHOR
PLASTIC (72/3" - 33/16")
PART# 62.000.020



RANCH HARDWARE - FENCE PRODUCT

**GATE CLOSER
HEAVY DUTY CABLE**
PART# 71.000.010



- A quick, yet effective way to open/close gates
- Adjustable cable can be sized to fit around most size posts
- Easy and quick to install on any wooden fence post

**GATE CLOSER
CABLE**
PART# 71.000.008



**GATE ANCHOR
FITS 1-3/4" - 2" TUBE**
PART# 71.000.005



- Drop down anchor when gate is in any position to keep from moving
- Prevent sagging and swinging with this easy to install gate anchor

**GATE LATCH
1-5/8" - 2" TUBE
ONE WAY LOCKABLE**
PART# 71.002.007



- Reduce stress on gate hinge and prevent sagging and swinging
- Quickly open latch with only one hand
- Lockable, for extra security

**GATE HINGE
1-5/8" - 1-3/4" TUBE GATES**
PART# 71.002.001



- Includes both upper and lower mounting hardware
- Simple to install and reliable quality

**GATE LATCH
1-5/8" - 2" TUBE
TWO WAY LOCKABLE**
PART# 71.002.010



- Reduce stress on gate hinge and prevent sagging and swinging
- Quickly open latch with only one hand
- Lockable, for extra security

**GATE HINGE
2" TUBE GATES**
PART# 71.002.002



- Includes both upper and lower mounting hardware
- Simple to install and reliable quality

GATE WHEELS

GATE WHEEL
FITS 1-5/8" - 2" TUBE
PART# 71.003.000



- Height adjustable mounting system for different height gates
- Reduce stress on gate hinge and bolts, and allow the gate to open with ease
- Easy to install

GATE WHEEL
PART# 71.003.400



- Fits round tube 1-5/8" - 2" O.D.
- Allows gate to open and close easily in either direction
- Prevents gate from swinging and sagging

FOAM FILLED, FLAT FREE GATE WHEEL
PART# 71.003.100



- Castors are designed to make gate opening and closing easy
- Integrated extended gate mount allows full 360° rotation of wheel
- Spring-loaded design provides shock absorption
- U-bolts (included) attach wheel to 15/8 in - 2in diameter tube.

FOAM FILLED, FLAT FREE GATWHEEL
PART# 71.003.200



- Constructed of zinc plated, rust resistant steel
- Two foam filled, flat free tires prevent sagging or dragging when the gate rolls open
- U-bolts attach wheels to 2in - 3in diameter tube.

XTRAC PLASTIC GATE WHEEL
PART# 71.003.300



- Dual mounting positions to accommodate high or low gates.
- Includes heavy duty axle bolt with locking nut and 3 u-bolts with nuts.
- Large wheel allows gate to swing over rough, muddy or uneven entries and helps gate float across rough or wet driveways.
- Black powder coat finish prevents rust and weathering.
- Supports up to a 300lb gate.

RANCH HARDWARE - FENCE PRODUCT

6' STUDDED T-POST

PART# 71.004.006



6 FT 7FT 8FT

7' STUDDED T-POST

PART# 71.004.007

8' STUDDED T-POST

PART# 71.004.008

SPRING LOADED POST POUNDER

PART# 71.004.003

- Drive steel fence posts into the ground with ease
- Heavy duty steel & powder coated finish make for a long lasting life



POST POUNDER

PART# 71.004.002

- Drive steel fence posts into the ground with ease
- Heavy duty steel & powder coated finish make for a long lasting life

T-POST PULLER

PART# 71.004.000



- Pull T-posts out of the ground & keep them straight & in re-usable condition
- Long handle gives extra leverage
- Makes for a simple & effective one person operation

T-POST PULLER

PART# 71.004.001



- Pull T-posts out of the ground & keep them straight & in re-usable condition
- Can be used with farm jack or chain with hook

WIRE GRIPPER

PART# 71.000.011



- Safely grip and hold barbed wire when doing maintenance
- Works with other small cables or wires
- For use with a come-along

WIRE STRETCHER

36" WOVEN

PART# 71.000.017



- A simple and efficient tool to help you stretch woven and welded wire fence
- Just attach hooks to fence and cable puller to loop to start stretching

BARBED WIRE CARRIERS

PART# 71.000.012



- Grip and carry rolls of barbed wire safely
- Can also be used to easily unroll barbed wire with its free spinning design

WIRE STRETCHER

PART# 71.000.015



- Safely hold and keep tension on wire when connecting

**COW BELL
RED HANDLE**
PART# 71.500.000



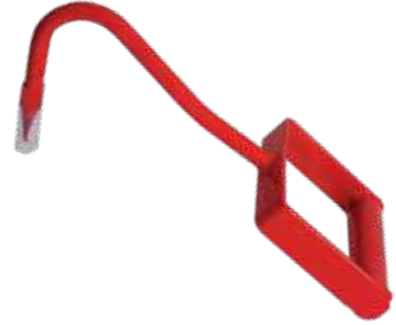
- Powder coated finish for long life
- Great for sporting events!

**COW BELL
4" LONG DISTANCE**
PART# 71.500.001



- Long distance cowbells produce a sharp tone that can be heard at long distances

HAY HOOK 11" RED
PART# 71.000.013



**COW BELL
1-5/8" KENTUCKY**
PART# 71.500.005

- Kentucky cowbells produce a dull tone that can be heard at long distances

**COW BELL
3-3/4" KENTUCKY**
PART# 71.500.004



**COW BELL
4-7/8" KENTUCKY**
PART# 71.500.003

HAY HOOK 17" RED
PART# 71.000.016



- Move and secure bales of hay easier with hay hooks
- Wide handle makes this the ideal hay bucking tool

**16" TOOL BOX
TRACTOR RED PORTABLE**
PART# 67.500.016



**20" TOOL BOX
TRACTOR RED PORTABLE**
PART# 67.500.020



- Mount and dismount tool box with ease whenever needed.
- Includes mounting hardware to mount to tractor or other equipment.
- Sturdy steel construction



BOOSTER CABLES



ZIPPED BAG



BOXED



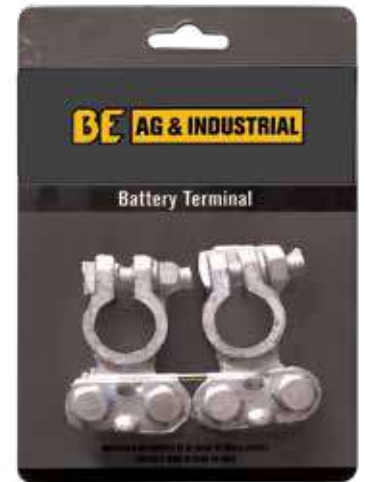
PARROT CLAMPS



ALLIGATOR CLAMPS

**UNIVERSAL BATTERY TERMINALS
ZINC, 2 PACK**
PART# 67.999.005

**UNIVERSAL BATTERY TERMINALS
LEAD, 2 PACK**
PART# 67.999.006



COPPER/ALUMINUM BOOSTER CABLES

PART#	GAUGE	LENGTH	CLAMP STYLE	CLAMP AMP	COATING	DESCRIPTION	PACKAGING
BE128BC	8	12'	ALLIGATOR	250	HIGH FLEX	12' 8G COPPER/ALUMINUM	ZIPPED BAG
BE126BC	6	12'	PARROT	500	HIGH FLEX	12' 6G COPPER/ALUMINUM	ZIPPED BAG
BE124BC	4	12'	PARROT	500	HIGH FLEX	12' 4G COPPER/ALUMINUM	BOXED
BE164BC	4	16'	PARROT	500	HIGH FLEX	16' 4G COPPER/ALUMINUM	BOXED
BE204BC	4	20'	PARROT	500	HIGH FLEX	20' 4G COPPER/ALUMINUM	BOXED
BE202BC	2	20'	PARROT	500	HIGH FLEX	20' 2G COPPER/ALUMINUM	BOXED

ALL COPPER BOOSTER CABLE

PART#	GAUGE	LENGTH	CLAMP STYLE	CLAMP AMP	COATING	DESCRIPTION	PACKAGING
BE252BC	2	25'	PARROT	500	HIGH FLEX	25' 2G ALL COPPER	BOXED

**36" JOB BOX
WITH ONE CYLINDER STRUT**
PART# JB36**FEATURES**

- Easy operation with cylinder strut
- 16 gauge steel construction
- MIG welded seams for extra durability
- Tamper-proof locking system keeps tools safe
- Recessed industrial strength side handles
- Heavy duty locking hinge provides extra lid strength
- Rust and scratch resistant durable powder coat finish
- Gross weight: 84 lbs
- Net weight: 79 lbs
- Overall Size: 915 mm x 440 mm x 560 mm (36" x 17.3" x 22")
- Packaging Size: 940 mm x 470 mm x 590 mm (37" x 18.5" x 23.2")

**48" JOB BOX
WITH TWO CYLINDER STRUTS**
PART# JB48**FEATURES**

- Easy operation with cylinder strut
- 16 gauge steel construction
- MIG welded seams for extra durability
- Tamper-proof locking system keeps tools safe
- Recessed industrial strength side handles
- Heavy duty locking hinge provides extra lid strength
- Rust and scratch resistant durable powder coat finish
- Gross weight: 143 lbs
- Net weight: 139 lbs
- Overall Size: 1220 mm x 620 mm x 710 mm (48" x 24.4" x 27.9")
- Packaging Size: 1240 mm x 640 mm x 725 mm (48.8" x 25.2" x 28.5")



ALL PRODUCT FLAG TAGGED/BAR CODED

NEW RETAIL DISPLAY BOARDS

PART#	DESCRIPTION
67.900.002	VERTICAL TOWER
67.900.003	BOARD WITH HOLES
67.900.005	PEG, STEEL W/NUT
67.900.006	BE HEADER SIGNS
67.600.001	TRAILER BALLS
67.600.002	HITCH COUPLERS
67.600.003	TURNBUCKLES
67.600.004	CLEVIS & SHACKLES
67.600.008	FARM BLISTER PACK PINS
67.600.005	FARM LOOSE PINS
67.600.010	RED HITCH PINS
67.600.009	FOLD OVER HITCH PINS
67.600.006	CHAIN HOOKS
67.600.007	3PT IMP PINS & BUSHINGS
67.600.011	WIRE ROPE ACCY'S
67.600.012	(BE) SMALL ACCY KITS
67.600.014	RATCHET TIE DOWNS BOARD #1
67.600.015	RATCHET TIE DOWNS BOARD #2
67.600.013	GREASE PACKS & ACCY'S
67.600.016	U-BOLTS

ALL ITEMS LABELED WITH UPC CODES

TRAILER BALLS RETAIL DISPLAY

PART# 67.600.001



TURNBUCKLE RETAIL DISPLAY

PART# 67.600.003



FARM BLISTER PACK PINS

RETAIL DISPLAY

PART# 67.600.008



FARM LOOSE PINS RETAIL DISPLAY

PART# 67.600.005



3 PT IMPLEMENT PINS & BUSHINGS
RETAIL DISPLAY

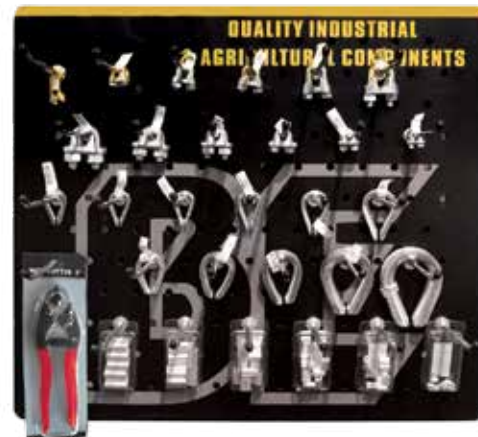
PART# 67.600.007



WIRE ROPE ACCESSORIES

RETAIL DISPLAY

PART# 67.600.011



RETAIL DISPLAY BOARDS**SMALL ACCESSORY KITS****RETAIL DISPLAY**

PART# 67.600.012

**U-BOLTS RETAIL DISPLAY**

PART# 67.600.016

**RATCHET TIE DOWNS****RETAIL DISPLAY #1**

PART# 67.600.014

**RATCHET TIE DOWNS****RETAIL DISPLAY #2**

PART# 67.600.015



BE AG & INDUSTRIAL

SOMETHING EXCITING IS COMING

BE'S NEW RANGE OF LIFTING EQUIPMENT HAS BEEN DESIGNED TO NOT ONLY MEET BUT EXCEED THE REQUIREMENTS AND DEMANDS OF WORKING PROFESSIONALS.

BUILT WITH THICKER GAUGE STEEL, HEAVIER DUTY NUTS & BOLTS AND HIGHER QUALITY SEALS AND WHEELS THAN THE COMPETITION, YOU'LL HAVE THE CONFIDENCE TO LIFT WITH BE WHETHER IN THE GARAGE OR ON THE FARM.

BACKED BY BE'S 2 YEAR WARRANTY AGAINST MANUFACTURING DEFECTS.

SPRING OF 2022



BRABEREQ.COM

PARTS@BRABEREQ.COM

PHONE: 604-850-7770

FAX: 604-850-7774

TOLL FREE PHONE: 1-877-588-3311

TOLL FREE FAX: 1-800-665-7334